

Lubrication Fittings & Accessories

Threaded Fittings



On the straight and angle fittings, the ball check end or the greasing end is heat treated. The spin-drive and drive-type angle fittings are entirely heat treated. All fittings are zinc plated and have a supplemental coating.

1/4" - 28 Thread (Straight & Taper)

This type of thread is used mostly on cars and light trucks. The SAE-LT is a thread that conforms to the Society of Automotive Engineers lubrication fittings thread specification.



No. 5010
*No. 5010-1
1/4" -28 Taper Thd.
(SAE-LT)



No. 5527
1/4" -28 U.N.F.
2A Thd.



No. 5013
1/4" -28 Taper Thd.
(SAE-LT)



No. 5014
1/4" -28 Taper Thd.
(SAE-LT)



No. 5210
1/4" -28 Taper Thd.
(SAE-LT)



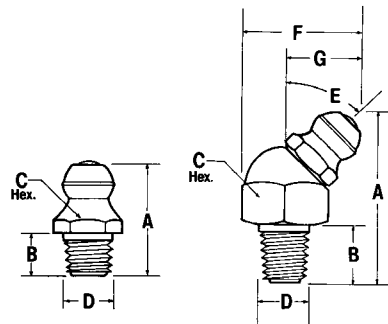
No. 5410
1/4" -28 Taper Thd.
(SAE-LT)



No. 700396
1/4" -28 Taper Thd.
(SAE-LT)

| Part No. | A in./mm | B in./mm | C in./mm | D in./mm | E | F in./mm | G in./mm |
|----------|---------------------------------------|---------------------------------------|---------------------------------------|------------|-----|---------------------------------------|---------------------------------------|
| 5527 | 1 ⁷ / ₃₂ / 14.0 | 1 ¹ / ₆₄ / 4.4 | 9 ³² / ₃₂ / 7.1 | .250 / 6.4 | — | — | — |
| 5010 | 1 ⁷ / ₃₂ / 13.5 | 3 ¹⁶ / ₁₆ / 4.8 | 5 ¹⁶ / ₁₆ / 7.9 | .260 / 6.6 | — | — | — |
| * 5010-1 | 3 ⁵ / ₆₄ / 13.9 | 7 ³² / ₃₂ / 5.6 | 5 ¹⁶ / ₁₆ / 7.9 | .260 / 6.6 | — | — | — |
| 5013 | 1 ¹ / ₁₆ / 17.5 | 2 ³ / ₆₄ / 9.1 | 5 ¹⁶ / ₁₆ / 7.9 | .260 / 6.6 | — | — | — |
| 5014 | 1 ⁵ / ₁₆ / 23.8 | 3 ⁹ / ₆₄ / 15.5 | 5 ¹⁶ / ₁₆ / 7.9 | .260 / 6.6 | — | — | — |
| 5210 | 1 ³ / ₁₆ / 20.6 | 1 ³ / ₆₄ / 5.1 | 3 ⁸ / ₈ / 9.5 | .260 / 6.6 | 45° | 3 ⁷ / ₆₄ / 14.7 | 2 ⁷ / ₆₄ / 10.7 |
| 5410 | 3 ⁴ / ₄ / 19.1 | 3 ¹⁶ / ₁₆ / 4.8 | 3 ⁸ / ₈ / 9.5 | .260 / 6.6 | 90° | 2 ¹ / ₃₂ / 16.7 | 1 ⁵ / ₃₂ / 11.9 |
| 700396 | 2 ⁵ / ₃₂ / 19.8 | 1 ⁹ / ₆₄ / 7.5 | 3 ⁸ / ₈ / 9.5 | .260 / 6.6 | 65° | 2 ¹ / ₃₂ / 16.7 | 1 ⁵ / ₃₂ / 11.9 |

* Not illustrated. Same as No. 5010 but without Ball Check.





Quicklinec® Fittings

Use for connections to 1/4" nylon tubing only. Can be used with Zerk-Lock® adapter or be screwed directly into bearing.

| Part No. | Description |
|----------|--|
| 243699 | 1/4" tube x 1/8" NPT male 90° swivel fitting |
| 244047 | 1/4" tube x 1/8" NPT male straight fitting |
| 244048 | 1/4" tube x 1/8" NPT male 90° fitting |
| 244053 | 1/4" tube x 1/4" -28 male 90° swivel fitting |
| 244054 | 1/4" tube x 1/4" -28 male 90° fitting |
| 244055 | 1/4" tube x 1/4" -28 male straight fitting |
| 244058 | 1/4" tube x 1/4" tube splicer union |



Divider Valve Outlet & Inlet Adapters for use with 272401 and 272394 Hose Stud

| Part No. | Description |
|----------|--|
| 272658 | Valve outlet fitting with check - 10mm |
| 272659 | 1/8" NPT male straight fitting |

IMPORTANT: Use the valve adapters for connecting the 1/8" high pressure hose (incl. hose stud with groove) to the main divider valve. The collet of the adapter is not knurled and has a wide collar.

| Part No. | Description |
|-------------|-----------------------------------|
| 432-24313-1 | Protective Quicklinec rubber boot |



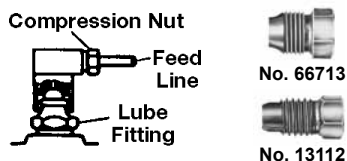
Standard Compression Fittings

| Part No. | Description |
|----------|--|
| 241290 | 1/4" tube x 1/8" NPT male straight fitting |
| 241293 | 1/4" tube x 1/8" NPT male 90° fitting |



Snap-On Connector Fittings

| Part No. | Description |
|----------|---|
| 241388 | 90° snap-on connector for 1/4" O.D. tubing |
| 241389 | Straight snap-on connector for 1/4" O.D. tubing |
| 66713 | Compression nut for 241388 and 241389 |
| 82617 | Straight snap-on connector for 1/8" O.D. tubing |
| 82618 | 90° snap-on connector for 1/8" O.D. tubing |
| 13112 | Compression nut |



Tube Clamps for 1/4" O.D. Tubing

| Part No. | A | B | C | No. of Tubes |
|----------|-------------------|---------------|-------------|--------------|
| 64533-1 | — | 1/4" / 6.4 | 1/2" / 12.7 | 1 |
| 64533-2 | 15/16" / 23.8 mm | 1/2" / 12.7 | 3/8" / 9.5 | 2 |
| 64533-3 | 13/16" / 30.2 mm | 3/4" / 19.1 | 3/8" / 9.5 | 3 |
| 64533-4 | 17/16" / 36.5 mm | 1" / 25.4 | 3/8" / 9.5 | 4 |
| 64533-5 | 111/16" / 42.9 mm | 1 1/4" / 31.8 | 3/8" / 9.5 | 5 |

