

# Lubrication Fittings & Accessories

## Threaded Fittings



On the straight and angle fittings, the ball check end or the greasing end is heat treated. The spin-drive and drive-type angle fittings are entirely heat treated. All fittings are zinc plated and have a supplemental coating.

### 1/4" - 28 Thread (Straight & Taper)

This type of thread is used mostly on cars and light trucks. The SAE-LT is a thread that conforms to the Society of Automotive Engineers lubrication fittings thread specification.



**No. 5010**  
\*No. 5010-1  
1/4" -28 Taper Thd.  
(SAE-LT)



**No. 5527**  
1/4" -28 U.N.F.  
2A Thd.



**No. 5013**  
1/4" -28 Taper Thd.  
(SAE-LT)



**No. 5014**  
1/4" -28 Taper Thd.  
(SAE-LT)



**No. 5210**  
1/4" -28 Taper Thd.  
(SAE-LT)



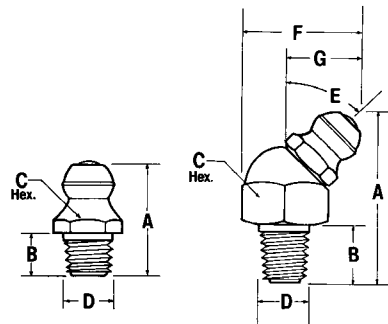
**No. 5410**  
1/4" -28 Taper Thd.  
(SAE-LT)



**No. 700396**  
1/4" -28 Taper Thd.  
(SAE-LT)

Part No.	A in./mm	B in./mm	C in./mm	D in./mm	E	F in./mm	G in./mm
5527	1 <sup>7</sup> / <sub>32</sub> / 14.0	1 <sup>1</sup> / <sub>64</sub> / 4.4	9 <sup>32</sup> / 7.1	.250 / 6.4	—	—	—
5010	1 <sup>7</sup> / <sub>32</sub> / 13.5	3 <sup>16</sup> / 4.8	5 <sup>16</sup> / 7.9	.260 / 6.6	—	—	—
* 5010-1	3 <sup>5</sup> / <sub>64</sub> / 13.9	7 <sup>32</sup> / 5.6	5 <sup>16</sup> / 7.9	.260 / 6.6	—	—	—
5013	1 <sup>1</sup> / <sub>16</sub> / 17.5	2 <sup>3</sup> / <sub>64</sub> / 9.1	5 <sup>16</sup> / 7.9	.260 / 6.6	—	—	—
5014	1 <sup>5</sup> / <sub>16</sub> / 23.8	3 <sup>9</sup> / <sub>64</sub> / 15.5	5 <sup>16</sup> / 7.9	.260 / 6.6	—	—	—
5210	1 <sup>3</sup> / <sub>16</sub> / 20.6	1 <sup>3</sup> / <sub>64</sub> / 5.1	3 <sup>8</sup> / 9.5	.260 / 6.6	45°	3 <sup>7</sup> / <sub>64</sub> / 14.7	2 <sup>7</sup> / <sub>64</sub> / 10.7
5410	3 <sup>4</sup> / 19.1	3 <sup>16</sup> / 4.8	3 <sup>8</sup> / 9.5	.260 / 6.6	90°	2 <sup>1</sup> / <sub>32</sub> / 16.7	1 <sup>5</sup> / <sub>32</sub> / 11.9
700396	2 <sup>5</sup> / <sub>32</sub> / 19.8	1 <sup>9</sup> / <sub>64</sub> / 7.5	3 <sup>8</sup> / 9.5	.260 / 6.6	65°	2 <sup>1</sup> / <sub>32</sub> / 16.7	1 <sup>5</sup> / <sub>32</sub> / 11.9

\* Not illustrated. Same as No. 5010 but without Ball Check.





### Hose Ends for 1/8" I.D. Hose

Part No.	Description
241289	1/8" NPT swedge on hose stud (Requires swedging tool)
246002	1/8" NPT field installable hose coupling (swedging tool not required)

### Installation Tools



Hose Swedging Tool  
Part No. 241238

### Hose Ends for Use with Quickline Fittings

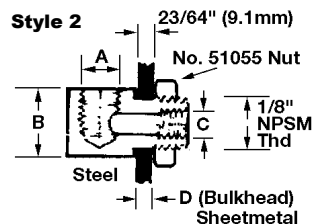
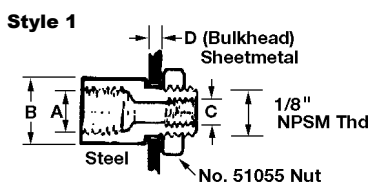
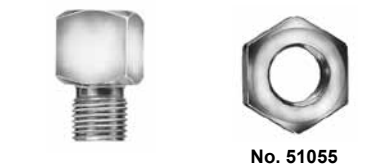
Part No.	Description
272394	Hose stud, 90° (to be used with 272427)
272401	Hose stud, straight (to be used with 272427)
272427	Threaded sleeve
274238	Stainless steel hose stud sleeve
274239	Stainless steel straight hose

### Hose End Connecting Tools

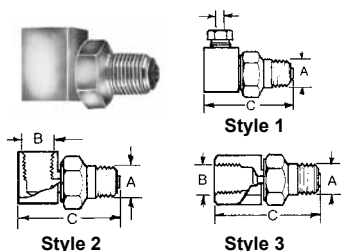
Part No.	Description
274062	Hand vise for quick connect and reusable hose ends

### Bulkhead Connectors

Part No.	Style	A	B	C	D
13154	1	1/8" PTF	1/2" / 12.7 mm	1/4" -28	3/16" / 4.8 mm
14054	1	1/8" PTF	1/2" / 12.7 mm	1/4" -28	1/4" / 6.4 mm
13155	2	1/8" PTF	1/2" / 12.7 mm	1/4" -28	3/16" / 4.8 mm
51055	Lock Nut 1/8" N.P.S.M. thread				



### Adapter Union



### Reducing Bushings

Part No.	A	B	C	D
20024	1/4" -28 THD	1/8" NPSF	7/8" / 22.2mm	1/2" / 12.7 mm
67132	3/8" NPT	1/8" NPT	3/4" / 19.1mm	1 1/16" / 17.5mm Hex
20011	3/8" NPT	1/4" NPT	3/4" / 19.1mm	3/4" / 19.1mm Hex
273482	8 mm x 1.0	1/8" NPT	0.96" / 24.4mm	9/16" / 14.2mm

### Swivels

Part No.	Style	A	B	C
66717	1	1/8" NPT	—	1 1/4" / 31.8mm
91048	2	1/8" NPT	1/8" NPT	1 1/4" / 31.8mm
91308	3	1/8" NPT	1/8" NPT	1 3/8" / 34.9mm

Note: Not suitable for installations requiring continuous rotation.



### Quicklinec® Fittings

Use for connections to 1/4" nylon tubing only. Can be used with Zerk-Lock® adapter or be screwed directly into bearing.

Part No.	Description
243699	1/4" tube x 1/8" NPT male 90° swivel fitting
244047	1/4" tube x 1/8" NPT male straight fitting
244048	1/4" tube x 1/8" NPT male 90° fitting
244053	1/4" tube x 1/4" -28 male 90° swivel fitting
244054	1/4" tube x 1/4" -28 male 90° fitting
244055	1/4" tube x 1/4" -28 male straight fitting
244058	1/4" tube x 1/4" tube splicer union



### Divider Valve Outlet & Inlet Adapters for use with 272401 and 272394 Hose Stud

Part No.	Description
272658	Valve outlet fitting with check - 10mm
272659	1/8" NPT male straight fitting

**IMPORTANT:** Use the valve adapters for connecting the 1/8" high pressure hose (incl. hose stud with groove) to the main divider valve. The collet of the adapter is not knurled and has a wide collar.

Part No.	Description
432-24313-1	Protective Quicklinec rubber boot



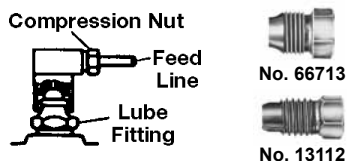
### Standard Compression Fittings

Part No.	Description
241290	1/4" tube x 1/8" NPT male straight fitting
241293	1/4" tube x 1/8" NPT male 90° fitting



### Snap-On Connector Fittings

Part No.	Description
241388	90° snap-on connector for 1/4" O.D. tubing
241389	Straight snap-on connector for 1/4" O.D. tubing
66713	Compression nut for 241388 and 241389
82617	Straight snap-on connector for 1/8" O.D. tubing
82618	90° snap-on connector for 1/8" O.D. tubing
13112	Compression nut



### Tube Clamps for 1/4" O.D. Tubing

Part No.	A	B	C	No. of Tubes
64533-1	—	1/4" / 6.4	1/2" / 12.7	1
64533-2	15/16" / 23.8 mm	1/2" / 12.7	3/8" / 9.5	2
64533-3	13/16" / 30.2 mm	3/4" / 19.1	3/8" / 9.5	3
64533-4	17/16" / 36.5 mm	1" / 25.4	3/8" / 9.5	4
64533-5	111/16" / 42.9 mm	1 1/4" / 31.8	3/8" / 9.5	5

