

Lubrication Fittings & Accessories

Threaded Fittings



On the straight and angle fittings, the ball check end or the greasing end is heat treated. The spin-drive and drive-type angle fittings are entirely heat treated. All fittings are zinc plated and have a supplemental coating.

1/4" - 28 Thread (Straight & Taper)

This type of thread is used mostly on cars and light trucks. The SAE-LT is a thread that conforms to the Society of Automotive Engineers lubrication fittings thread specification.



No. 5010
*No. 5010-1
1/4" -28 Taper Thd.
(SAE-LT)



No. 5527
1/4" -28 U.N.F.
2A Thd.



No. 5013
1/4" -28 Taper Thd.
(SAE-LT)



No. 5014
1/4" -28 Taper Thd.
(SAE-LT)



No. 5210
1/4" -28 Taper Thd.
(SAE-LT)



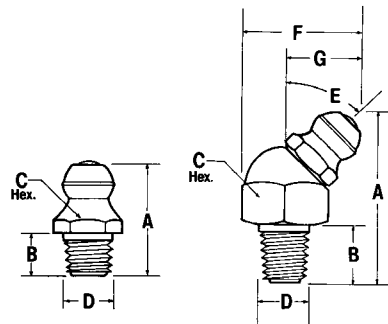
No. 5410
1/4" -28 Taper Thd.
(SAE-LT)



No. 700396
1/4" -28 Taper Thd.
(SAE-LT)

Part No.	A in./mm	B in./mm	C in./mm	D in./mm	E	F in./mm	G in./mm
5527	1 ⁷ / ₃₂ / 14.0	1 ¹ / ₆₄ / 4.4	9 ³² / 7.1	.250 / 6.4	—	—	—
5010	1 ⁷ / ₃₂ / 13.5	3 ¹⁶ / 4.8	5 ¹⁶ / 7.9	.260 / 6.6	—	—	—
* 5010-1	3 ⁵ / ₆₄ / 13.9	7 ³² / 5.6	5 ¹⁶ / 7.9	.260 / 6.6	—	—	—
5013	1 ¹ / ₁₆ / 17.5	2 ³ / ₆₄ / 9.1	5 ¹⁶ / 7.9	.260 / 6.6	—	—	—
5014	1 ⁵ / ₁₆ / 23.8	3 ⁹ / ₆₄ / 15.5	5 ¹⁶ / 7.9	.260 / 6.6	—	—	—
5210	1 ³ / ₁₆ / 20.6	1 ³ / ₆₄ / 5.1	3 ⁸ / 9.5	.260 / 6.6	45°	3 ⁷ / ₆₄ / 14.7	2 ⁷ / ₆₄ / 10.7
5410	3 ⁴ / 19.1	3 ¹⁶ / 4.8	3 ⁸ / 9.5	.260 / 6.6	90°	2 ¹ / ₃₂ / 16.7	1 ⁵ / ₃₂ / 11.9
700396	2 ⁵ / ₃₂ / 19.8	1 ⁹ / ₆₄ / 7.5	3 ⁸ / 9.5	.260 / 6.6	65°	2 ¹ / ₃₂ / 16.7	1 ⁵ / ₃₂ / 11.9

* Not illustrated. Same as No. 5010 but without Ball Check.





Hose Ends for 1/8" I.D. Hose

Part No.	Description
241289	1/8" NPT swedge on hose stud (Requires swedging tool)
246002	1/8" NPT field installable hose coupling (swedging tool not required)

Installation Tools



Hose Swedging Tool
Part No. 241238

Hose Ends for Use with Quickline Fittings

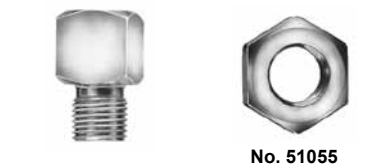
Part No.	Description
272394	Hose stud, 90° (to be used with 272427)
272401	Hose stud, straight (to be used with 272427)
272427	Threaded sleeve
274238	Stainless steel hose stud sleeve
274239	Stainless steel straight hose

Hose End Connecting Tools

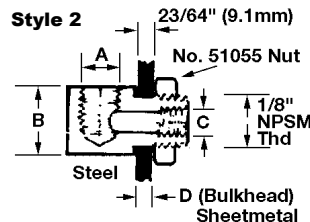
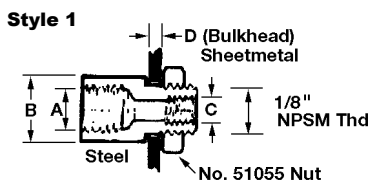
Part No.	Description
274062	Hand vise for quick connect and reusable hose ends

Bulkhead Connectors

Part No.	Style	A	B	C	D
13154	1	1/8" PTF	1/2" / 12.7 mm	1/4" -28	3/16" / 4.8 mm
14054	1	1/8" PTF	1/2" / 12.7 mm	1/4" -28	1/4" / 6.4 mm
13155	2	1/8" PTF	1/2" / 12.7 mm	1/4" -28	3/16" / 4.8 mm
51055	Lock Nut 1/8" N.P.S.M. thread				



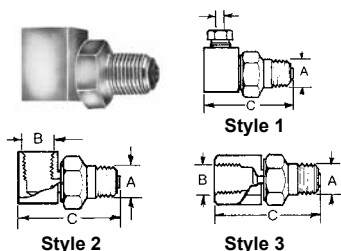
No. 51055



Adapter Union



No. 66649



Reducing Bushings

Part No.	A	B	C	D
20024	1/4" -28 THD	1/8" NPSF	7/8" / 22.2mm	1/2" / 12.7 mm
67132	3/8" NPT	1/8" NPT	3/4" / 19.1mm	1 1/16" / 17.5mm Hex
20011	3/8" NPT	1/4" NPT	3/4" / 19.1mm	3/4" / 19.1mm Hex
273482	8 mm x 1.0	1/8" NPT	0.96" / 24.4mm	9/16" / 14.2mm

Swivels

Part No.	Style	A	B	C
66717	1	1/8" NPT	—	1 1/4" / 31.8mm
91048	2	1/8" NPT	1/8" NPT	1 1/4" / 31.8mm
91308	3	1/8" NPT	1/8" NPT	1 3/8" / 34.9mm

Note: Not suitable for installations requiring continuous rotation.



Quicklinec® Fittings

Use for connections to 1/4" nylon tubing only. Can be used with Zerk-Lock® adapter or be screwed directly into bearing.

Part No.	Description
243699	1/4" tube x 1/8" NPT male 90° swivel fitting
244047	1/4" tube x 1/8" NPT male straight fitting
244048	1/4" tube x 1/8" NPT male 90° fitting
244053	1/4" tube x 1/4" -28 male 90° swivel fitting
244054	1/4" tube x 1/4" -28 male 90° fitting
244055	1/4" tube x 1/4" -28 male straight fitting
244058	1/4" tube x 1/4" tube splicer union



Divider Valve Outlet & Inlet Adapters for use with 272401 and 272394 Hose Stud

Part No.	Description
272658	Valve outlet fitting with check - 10mm
272659	1/8" NPT male straight fitting

IMPORTANT: Use the valve adapters for connecting the 1/8" high pressure hose (incl. hose stud with groove) to the main divider valve. The collet of the adapter is not knurled and has a wide collar.

Part No.	Description
432-24313-1	Protective Quicklinec rubber boot



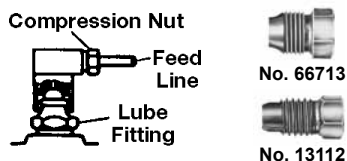
Standard Compression Fittings

Part No.	Description
241290	1/4" tube x 1/8" NPT male straight fitting
241293	1/4" tube x 1/8" NPT male 90° fitting



Snap-On Connector Fittings

Part No.	Description
241388	90° snap-on connector for 1/4" O.D. tubing
241389	Straight snap-on connector for 1/4" O.D. tubing
66713	Compression nut for 241388 and 241389
82617	Straight snap-on connector for 1/8" O.D. tubing
82618	90° snap-on connector for 1/8" O.D. tubing
13112	Compression nut



Tube Clamps for 1/4" O.D. Tubing

Part No.	A	B	C	No. of Tubes
64533-1	—	1/4" / 6.4	1/2" / 12.7	1
64533-2	15/16" / 23.8 mm	1/2" / 12.7	3/8" / 9.5	2
64533-3	13/16" / 30.2 mm	3/4" / 19.1	3/8" / 9.5	3
64533-4	17/16" / 36.5 mm	1" / 25.4	3/8" / 9.5	4
64533-5	111/16" / 42.9 mm	1 1/4" / 31.8	3/8" / 9.5	5

