

Lubrication Fittings & Accessories

Threaded Fittings



On the straight and angle fittings, the ball check end or the greasing end is heat treated. The spin-drive and drive-type angle fittings are entirely heat treated. All fittings are zinc plated and have a supplemental coating.

1/4" - 28 Thread (Straight & Taper)

This type of thread is used mostly on cars and light trucks. The SAE-LT is a thread that conforms to the Society of Automotive Engineers lubrication fittings thread specification.



No. 5010
*No. 5010-1
1/4" -28 Taper Thd.
(SAE-LT)



No. 5527
1/4" -28 U.N.F.
2A Thd.



No. 5013
1/4" -28 Taper Thd.
(SAE-LT)



No. 5014
1/4" -28 Taper Thd.
(SAE-LT)



No. 5210
1/4" -28 Taper Thd.
(SAE-LT)



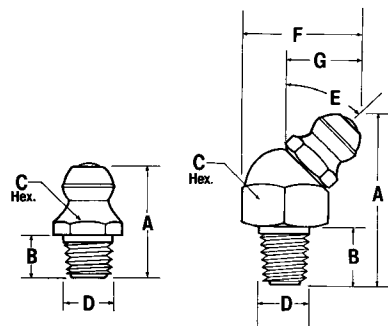
No. 5410
1/4" -28 Taper Thd.
(SAE-LT)



No. 700396
1/4" -28 Taper Thd.
(SAE-LT)

Part No.	A in./mm	B in./mm	C in./mm	D in./mm	E	F in./mm	G in./mm
5527	1 ⁷ / ₃₂ / 14.0	1 ¹ / ₆₄ / 4.4	9 ³² / ₃₂ / 7.1	.250 / 6.4	—	—	—
5010	1 ⁷ / ₃₂ / 13.5	3 ¹⁶ / ₁₆ / 4.8	5 ¹⁶ / ₁₆ / 7.9	.260 / 6.6	—	—	—
* 5010-1	3 ⁵ / ₆₄ / 13.9	7 ³² / ₃₂ / 5.6	5 ¹⁶ / ₁₆ / 7.9	.260 / 6.6	—	—	—
5013	1 ¹ / ₁₆ / 17.5	2 ³ / ₆₄ / 9.1	5 ¹⁶ / ₁₆ / 7.9	.260 / 6.6	—	—	—
5014	1 ⁵ / ₁₆ / 23.8	3 ⁹ / ₆₄ / 15.5	5 ¹⁶ / ₁₆ / 7.9	.260 / 6.6	—	—	—
5210	1 ³ / ₁₆ / 20.6	1 ³ / ₆₄ / 5.1	3 ⁸ / ₈ / 9.5	.260 / 6.6	45°	3 ⁷ / ₆₄ / 14.7	2 ⁷ / ₆₄ / 10.7
5410	3 ⁴ / ₄ / 19.1	3 ¹⁶ / ₁₆ / 4.8	3 ⁸ / ₈ / 9.5	.260 / 6.6	90°	2 ¹ / ₃₂ / 16.7	1 ⁵ / ₃₂ / 11.9
700396	2 ⁵ / ₃₂ / 19.8	1 ⁹ / ₆₄ / 7.5	3 ⁸ / ₈ / 9.5	.260 / 6.6	65°	2 ¹ / ₃₂ / 16.7	1 ⁵ / ₃₂ / 11.9

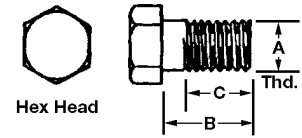
* Not illustrated. Same as No. 5010 but without Ball Check.



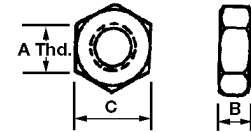


Mounting Bolts and Nuts

Part No.	A in./mm	B in./mm	C in./mm
50057	¼"-20	1½ / 38.1	¾ / 19.1



Part No.	A in./mm	B in./mm	C in./mm
51304	¼"-20	⅞ / 5.6	⅞ / 11.1
51026	⅝"-18	1⅞ / 6.7	½ / 12.7



Accessories

Supply and Feed Line Hose ⅛" ID



Part No.	Alvania #2 Grade Grease Filled Coils	Minimum Burst	Max. Working Pressure	Minimum Bending	Hose Construction
241286	26 ft. / 7.9 M	10,000 psig 690 bar	4,000 psig 276 bar	3½" 88.9 mm	Nylon Tube, Dacron Braid, Polyurethane Cvr
241287	35 ft. / 10.7 M				
241288	40 ft. / 12.2 M				
252717	200 ft. / 61 M non grease filled				

Note: Use with hose ends No. 241289 or No. 246002. Temperature range: -40° F to 212° F.

Feed Line Nylon Tubing



Part No.	Description	O.D.	Wall Thickness	Burst Pressure	Working Pressure	Minimum Bending Radius	Working Temp.
247022	500 ft./152.4 M coil non-grease filled	¼" 6.4 mm	.050" 1.3 mm	2500 psig 172 bar	625 psig 42.5 bar	.875 / 22.2	-65°F to +150°F -54°C to +65°C
242025	25 ft. / 7.6 M coil grease filled						
242050	50 ft. / 15.2 M coil grease filled						
62357	100 ft./30.5 M coil non-grease filled						
274047	25 ft. / 7.6 M coil grease filled		.062" 1.6 mm	2000 psig 138 bar	500 psig 34.5 bar	0.5 / 12.7	-65°F to +200°F -54°C to +93°C
274048	50 ft. / 15.2 M coil grease filled						
274049	100 ft./30.5 M coil non-grease filled						
274050	500 ft./152.4 M coil non-grease filled						

Steel Tubing



Part No.	Description	Max. Working Pressure
62175	⅛" OD x .020" wall 25' coil 3.2mm OD x .5mm wall 7.6m coil	4400 psig 300 bar
62176	¼" OD x .028" wall 25' coil 6.4 mm OD x .7mm wall 7.6m coil	2800 psig 190 bar

Installation Tools



Plastic Tube & Hose Cutter
Part No. 226-12508-5
 Replacement Blade
Part No. 226-13095-7



Hose Ends for 1/8" I.D. Hose

Part No.	Description
241289	1/8" NPT swedge on hose stud (Requires swedging tool)
246002	1/8" NPT field installable hose coupling (swedging tool not required)

Installation Tools



Hose Swedging Tool
Part No. 241238

Hose Ends for Use with Quickline Fittings

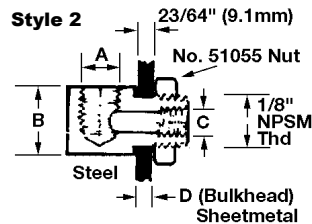
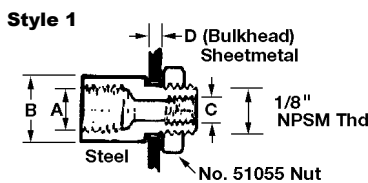
Part No.	Description
272394	Hose stud, 90° (to be used with 272427)
272401	Hose stud, straight (to be used with 272427)
272427	Threaded sleeve
274238	Stainless steel hose stud sleeve
274239	Stainless steel straight hose

Hose End Connecting Tools

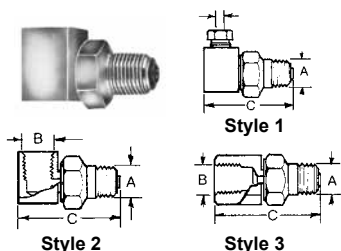
Part No.	Description
274062	Hand vise for quick connect and reusable hose ends

Bulkhead Connectors

Part No.	Style	A	B	C	D
13154	1	1/8" PTF	1/2" / 12.7 mm	1/4" -28	3/16" / 4.8 mm
14054	1	1/8" PTF	1/2" / 12.7 mm	1/4" -28	1/4" / 6.4 mm
13155	2	1/8" PTF	1/2" / 12.7 mm	1/4" -28	3/16" / 4.8 mm
51055	Lock Nut 1/8" N.P.S.M. thread				



Adapter Union



Reducing Bushings

Part No.	A	B	C	D
20024	1/4" -28 THD	1/8" NPSF	7/8" / 22.2mm	1/2" / 12.7 mm
67132	3/8" NPT	1/8" NPT	3/4" / 19.1mm	1 1/16" / 17.5mm Hex
20011	3/8" NPT	1/4" NPT	3/4" / 19.1mm	3/4" / 19.1mm Hex
273482	8 mm x 1.0	1/8" NPT	0.96" / 24.4mm	9/16" / 14.2mm

Swivels

Part No.	Style	A	B	C
66717	1	1/8" NPT	—	1 1/4" / 31.8mm
91048	2	1/8" NPT	1/8" NPT	1 1/4" / 31.8mm
91308	3	1/8" NPT	1/8" NPT	1 3/8" / 34.9mm

Note: Not suitable for installations requiring continuous rotation.