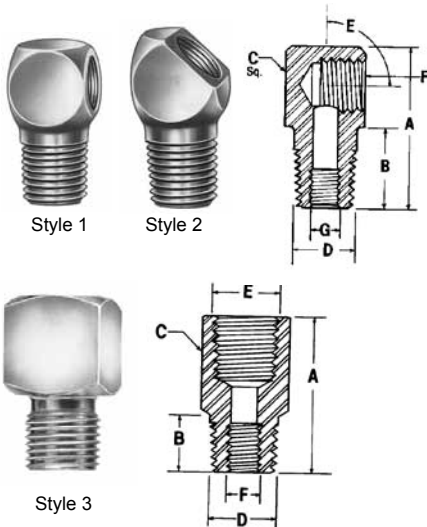




Lincoln Quicklub centralized and automatic lubrication systems





Pipe Thread Adapters

Model No.	Style	A	B	C	D	E	F
13129	1	1½	⅞	⅝	⅛ NPTF	90°	⅛ NPTF
20024	3	⅞	⅝ ₁₆	½ hex	¼-28 Taper	⅛ NPSF	—
20026	1	1⅜ ₁₆	⅝ ₁₆	½ sq.	¼-28 Taper	90°	⅛ PTF
20028	2	1	1⅝ ₃₂	½ sq.	⅛ PTF	45°	⅛ PTF
20029	1	1	1⅝ ₃₂	½ sq.	⅛ PTF	90°	⅛ PTF
247616	2	1	1⅜ ₃₂	½ sq.	¼-28 Taper	45°	⅛ PTF
276631	1	1	⅝	½ sq.	¼-28 Taper	90°	⅛ NPTF
20012	1	1⅝ ₁₆	⅝	1⅜ ₁₆ sq.	¼ NPT	90°	¼ NPT

Steel Tubing

Model No.	Size (O.D. x Wall)			Working Pressure	Type
	O.D.	Wall	Length		
62175	⅝	.020"	25 ft/7.6 m	4400 psig / 300 bar	Coil

Nylon Tubing

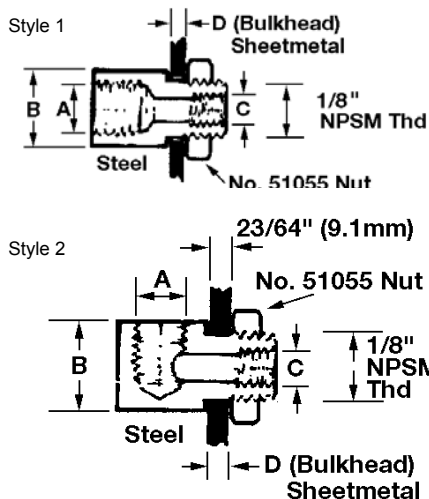
Model No.	Size (O.D. x Wall)			Working Pressure	Minimum Bending Radius
	O.D.	Wall	Length		
62256	⅝"	.026"	25 ft/7.6 m	625 psig / 42.5 bar	.375"
62278			100 ft/30.5 m		
62956			500 ft/152 m		

Grease Fittings

Model No.	Description
700506	⅝" NPT threaded straight leakproof fitting
242125	Plastic grease fitting cap

Fittings, Adapters and Installation Accessories

Model No.	Description
10130	⅝" NPT male x ⅝" NPT male nipple
10181	⅝" NPT male x ⅝" NPT female adapter, 1⅜" long
10182	⅝" NPT male x ⅝" female adapter, 1⅝ ₁₆ " long
14562	2 outlet ⅝" NPT x ⅝" NPT junction block
14563	4 outlet ⅝" NPT x ⅝" NPT junction block
81583	Junction Block, ⅝" NPT
14570	Anchor block
276407	⅝" NPT male x ⅝" NPT female x ⅝" NPT female
10461	¼" NPT male x ⅝" NPT female reducing bushing



Bulkhead Adapters

Model No.	Style	A	B	C	D
13154	1	⅝" PTF	½" / 12.7 mm	¼" -28	⅜" / 4.8 mm
14054	1	⅝" PTF	½" / 12.7 mm	¼" -28	¼" / 6.4 mm
13155	2	⅝" PTF	½" / 12.7 mm	¼" -28	⅜" / 4.8 mm
244225	1	⅝" NPT	⅞" hex	⅝" NPT	⅞"
51055	⅝" N.P.S.M. thread				

