

Lincoln installation components, accessories and lubrication fittings



LINCOLN

Bulk Feed Line Hose and Fittings

Cut to required length and install connector fittings with standard wrenches.
SAE 30R3 type hose. Temperature range -40°F to 212°F.

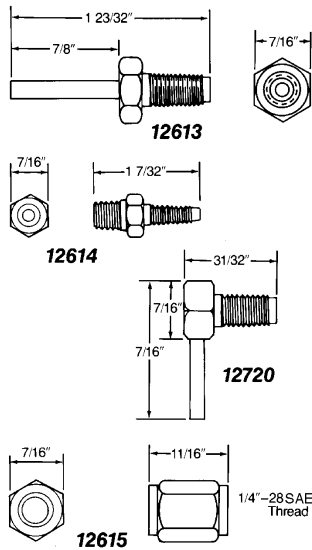
Bulk Type 71900 Hose

Part No.	Size		Working Pressure	Min. Bend Radius in.	Length ft. / m
	I.D. - in.	O.D. - in.			
66844	3/16	3/8	500 psig / 34 bar	2	25 / 7.6
71900					Specify length

Fittings for 71900 Hose

Part No.	Construction	Description	Size - in.
12613	Steel	Hose Stud	1/8 O.D. tube x 1/4 -28male
12614			1/8 NPTmale x 1/4 -28male
13003			1/4 -28male x 1/4 -28male
12720			1/8 O.D. tube x 1/4 -28male, 90° angle
* 12615		Coupling Nut	1/4 -28 female
12613-9	Type 303 Stainless Steel	Hose Stud	1/8 O.D. tube x 1/4 -28male
12614-9			1/8 NPTmale x 1/4 -28male
* 12615-9		Coupling Nut	1/4 -28 female

* One coupling nut required for each hose stud.



Air Hose

Connect system to compressed air supply.

Part No.	Length ft.	Specifications			Maximum Pressure		Braid
		I.D. in.	O.D. in.	Thread in.	Working	Burst	
72024	2	1/4	5/8	1/4 NPT male	250 psig / 17 bar	1250 psig / 85 bar	2-Ply Rayon
72036	3						
72060	5						
72120	10						
72240	20						
72480	40						
72600	50	23/32	3/8 NPT male	1/2 NPT male	200 psig / 14 bar	800 psig / 55 bar	1-Ply Rayon
72024A	2						
72360A	30						
72480A	40						
72600A	50						
72720A	60	1/2	1/2 NPT male	1/2 NPT male	200 psig / 14 bar	800 psig / 55 bar	1-Ply Rayon
74024	2						
74060	5						
74480	40						
74600	50						