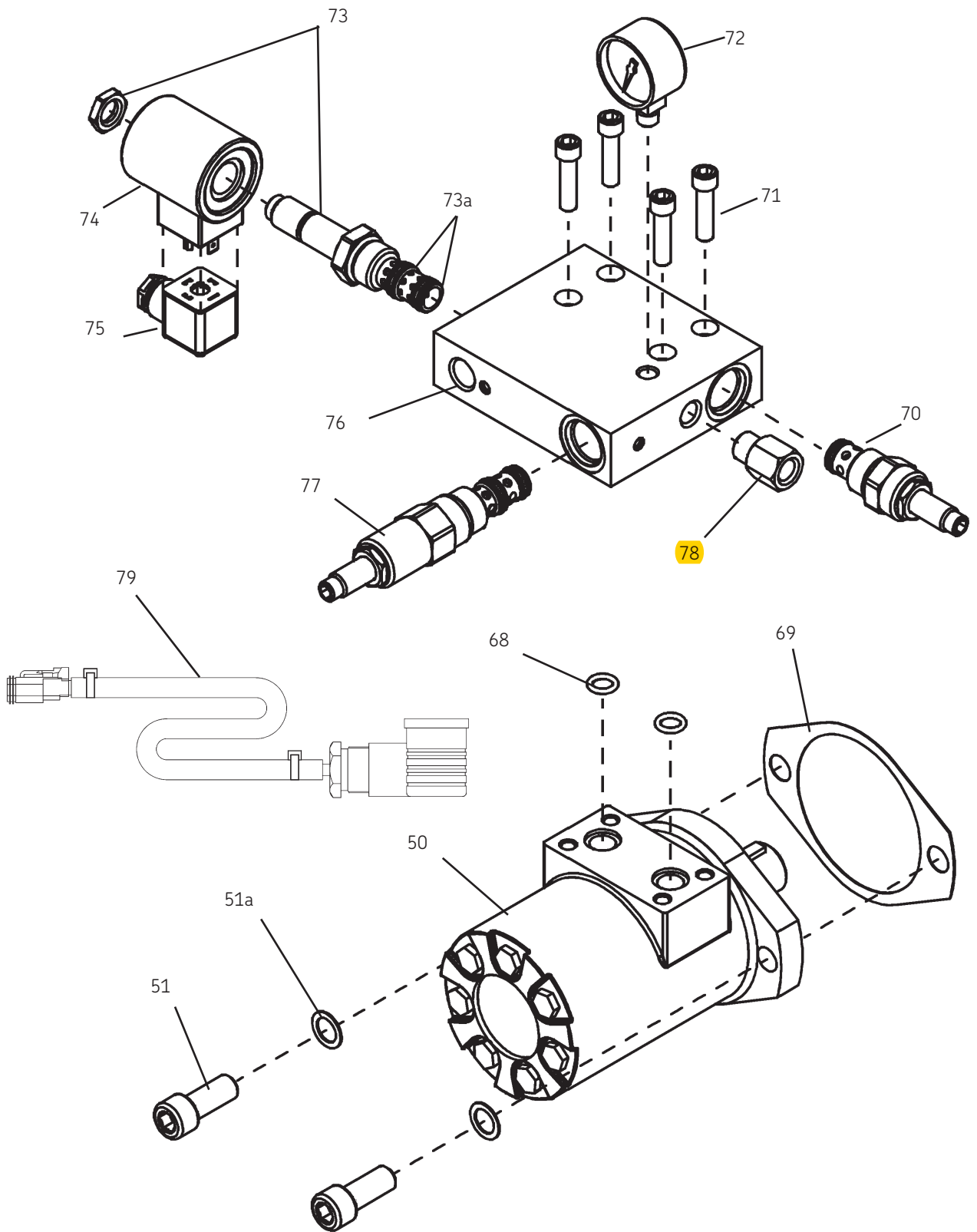


Exploded view



## Repair parts for all models

Item no.	Qty.	Description	Part no.	Item no.	Qty.	Description	Part no.
1	2	Flat head screw (1/4 x 1-3/4)	270635	33	2	O-ring	1)
2	2	Counter weight	272197	34	2	O-ring	1)
3	2	Retaining ring	270609	35	2	Backup washer	1)
4	1	Crankrod	270665	50	1	Hydraulic motor kit (Includes gasket <b>(69)</b> and 2x o-ring <b>(68)</b> )	274054
5	2	Retaining ring	270608	51	2	Socket head screw (1/2 x 1-1/4)	270658
6	1	Crank eccentric	270666	51a	2	Washer	271501
7	1	Ball bearing	270607	52	1	Bronze bearing	270674
8	1	Outlet pin	270670	53	1	O-ring (polyurethane)	1)
9	1	O-ring (nitrile)	1)	54	1	Backup washer	1)
10	1	Plunger tube	275619	55	1	O-ring (nitrile)	1)
10a	1	Plunger bushing	274993	56a	1	Housing tube	See chart on next page
10b	1	Steel back-up ring	274997 <sup>1)</sup>	56b	1	Spacer	276279
10c	1	O-ring	1)				
10d	2	Retainer clip	274996 <sup>1)</sup>	57	1	Bronze bushing	Included in <b>(56a)</b>
				58	1	Shovel plug	270707
11	2	Pivot screw	275006	59	1	Retaining ring	270705
12	2	Wrist pin bushing	275005				
13a	1	Wrist pin anchor	274992	67	1	Pump housing	270673
13b	1	O-ring	1)	67a	1	Pipe plug (3/8 nptf)	67417
				68	1	O-ring (viton)	1)
14	1	Backup washer	1)				
15	1	Cup seal (Polyurethane)	1)	69	1	Motor gasket	1)
16	1	Plunger link rod	See chart on next page	70	1	Flow control valve (Includes seal kit <b>(70a)</b> )	See chart on next page
				70a	1	Seal kit (nitrile)	270689
17	1	Spring	1)				
18	1	Ball	1)	71	4	Socket head screw (5/16 X 1-1/4)	270680
19	1	Pump plunger	275002	72	1	Pressure gauge	270768
19a	1	Pump bushing	Included in <b>(19)</b>	73	1	Solenoid valve cartridge (Includes seal kit <b>(73a)</b> )	See chart on next page
				73a	1	Seal kit (nitrile)	270687
20	1	Reciprocating tube	See chart on next page				
21	1	Cup seal (polyurethane)	1)	74	1	Solenoid coil (24 V DC)	270691
24	1	Ball cage	272179	75	1	Solenoid coil connector	242209
				76	1	Manifold	270771
25	1	Ball	1)				
26	2	O-ring (nitrile)	1)	77	1	Pressure reducing valve (Includes seal kit 77a)	See chart on next page
				77a	1	Seal kit (nitrile)	270688
27	1	Check seat	270664	78	1	<b>Orifice fitting</b>	<b>270735</b>
28	6	Self-Threading screw (#8 x 1/2)	270633	79	1	Solenoid cable assembly	See chart on next page
							272180 <sup>2)</sup>
29	6	Gaskets (Screw)	252986 <sup>1)</sup>		1	Inlet strainer	275383
30	1	Housing cover	275009	1)		Repair kit	
30a	1	Dipstick	275369				
30b	1	O-ring	1)				
31	1	Cover gasket (nitrile)	1)				
32	2	Outlet, pin-nut	270619				

<sup>1)</sup> Included in 275383 Soft Parts Kit

<sup>2)</sup> The inlet strainer fits all FlowMaster models

### Repair parts list (non-common parts)

Item no.	Qty.	Description	Model 85247 (120 lb)	Model 85480 (120 lbs)	Model 85481 60 lbs)	Model 85482 (400 lbs)	Model 85483 (5 gal.)	Model 274055 (400 lbs)
16	1	Plunger link rod	270648	270648	270614	270645	270641	270614
20	1	Reciprocating tube	275018	275018	275022	275158	275010	275022
56a	1	Housing tube	275191	275191	275190	275192	275189	275190
70	1	Flow control valve	270693	270693	270693	270693	270693	270693
73	1	Solenoid valve cartridge	270678	270678	270678	270678	270678	270678
77	1	Pressure reducing valve	270692	270692	270692	270692	270692	270692
79	1	Solenoid cable assembly	None	None	None	None	None	273502

<sup>1)</sup> Included in 275383 Soft Parts Kit

<sup>2)</sup> The inlet strainer fits all FlowMaster models

### Repair kit selection chart

Converting series "A" to series "B" pumps

Series "A" service page needed for teardown

Series "B" service page needed for reassembly

Item no.

Kit no.

1 to 8, 32, 36 to 52, 58 to 67  
<sup>9)</sup> 10, 10a, 10b, 10c, 10d, 14 and 15  
 17, 18, 19, 19a, 21, 24, 25, 26, 27 and 56b

No kit – parts identical for series a and series b.  
 275186 - Upper bushing & plunger kit  
 275187 - Lower bushing & plunger kit

11, 12, 13a, 13b, 275376 Spacer  
 20  
 28, 29, 30, 30a, 30b, and 31

275188 Pivot pin/anchor kit  
 Reciprocating tube. See chart page 35 for series b  
 275381 - Housing Cover Kit

56a and 57 (pressed into 56a)  
 Repair kit

Housing tube. See chart pg. 35 Series b  
 275383 Repair kit

<sup>9)</sup> Item 9 is assembled to Item 10