

NOAM NUTV4

4 Channel Marine 4" UTV/ATV/BOAT
Audio System with Bluetooth®

OWNER'S MANUAL



WARNING:

This product can potentially expose you to chemicals including lead, nickel and chromium which are known to the State of California to cause cancer and birth defects or other reproductive harm. For more information go to www.P65Warnings.ca.gov

Thank you for making **NOM** your choice for marine audio entertainment! Its compact, Marine design provides flexible mounting possibilities, and makes it simple to expand the audio system capabilities of your vehicle.

NUTV4

4 Channel Marine UTV/ATV/BOAT Audio System with Bluetooth®

One Pair 4" 2-Way Marine Speaker:

- 4" High Quality Poly Injection Cone
- Butyl Rubber Surround
- Shiny Black Plastic Enclosure
- Fits 1.5"-2" Bars
- 1" High Temperature KEISV Voice Coil
- 1" PEI Neodymium Dome Tweeter
- 100 Watts
- Frequency Response: 100-20KHz
- Impedance: 4 Ohms

4 Channel Marine Power Amplifier

- 4 x 100 Watts at 4 Ohms
- Anti-Thump Turn-On
- Soft Turn On/Off
- Bluetooth® Streaming
- AUX Input
- Volume Gain Remote Control
- T.H.D: <0.05%
- S/N Ratio: >95dB
- Channel Separation: >65dB
- Frequency Response: 10Hz- 30kHz
- Fuse : 1 x 20A
- Bluetooth® 3.0 Technology
- Bluetooth® Auto Connected While Power on
- Bluetooth® Auto Disconnected While Aux-in (3.5mm Connector)
- Easy and Quick Installed Handle-bar Mount Bracket is Included
- Bluetooth® Console Dimension: 2.12"(W) x 1.16"(H) x 3.83"(L)
- Amplifier Dimensions: 6.3"L x 3.67"W x 2.11"H

What is included?

When first unpacking your new amplified Marine speaker system, Please check first that the package contains all of the items below. If something is missing, contact the store where you purchased the product.

NUTV4

- **One Pair** 4" 2 Way Marine Speaker
- **One Piece** 4 Channel Marine Power Amplifier
- **One Piece** Bluetooth® controller

Installation precautions

Before you drill or cut any holes, investigate your vehicle's layout very carefully. Take special care when you work near the gas tank, fuel lines, hydraulic lines and electrical wiring.

Never operate the amplifier when it is unmounted. Attach all audio system components securely within the amplifier to prevent damage, especially in an accident.

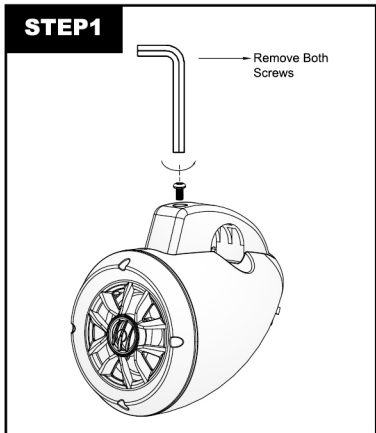
Do not mount this amplifier so that wire connections are unprotected. in a pinched condition, in contact with any metal surfaces in your vehicle, or likely to be damaged by nearby objects.

Before making or breaking power connections in your system, disconnect the vehicle battery. Confirm that your head unit or other equipment is turned off while connecting the input jacks and speaker terminals.

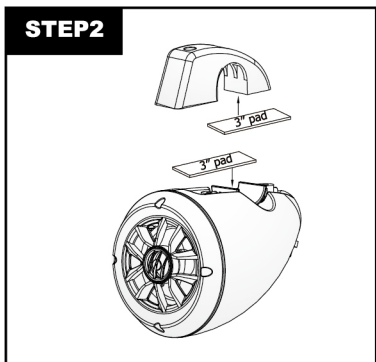
If you need to replace the power fuse, replace it only with a fuse identical to that supplied with the amplifier, Using a fuse of a different type or rating may result in damage to your audio system or your amplifier which is not covered by the manufacturer's warranty.

SPEAKER INSTALLATION INSTRUCTIONS:

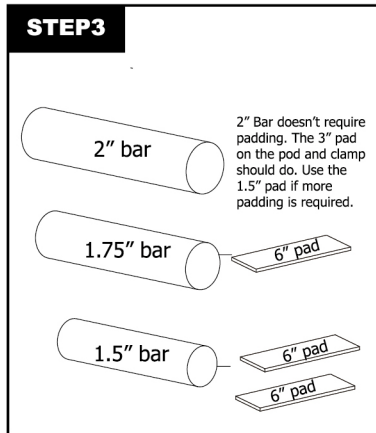
Please note: The below instructions refers to most common bar sizes; 1.5", 1.75" and 2" but using the supplied rubber pads will allow you to mount these speakers on any bar size measured between 1.5" and 2"



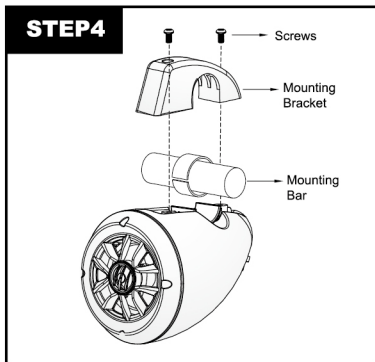
YOU'LL NEED: H5 ALLEN WRENCH
Remove the two screws from the bracket to separate the Speaker pod and the bracket.



YOU'LL NEED: 3" (76 mm) pads.
Remove the backing off the pad and place it in the inner side of both the pod and the mounting bracket.



YOU'LL NEED: 6" (150 mm) pads.
Remove the backing off the pad and wrap it around the bar.
* The pad should go all the way around the bar. if the pad is too long, cut the extra length.
** the glue on the pad is there only to make installation easier. Holding the speakers is not its purpose!



Screw the clamp to the pod and you should be good to GO!!!

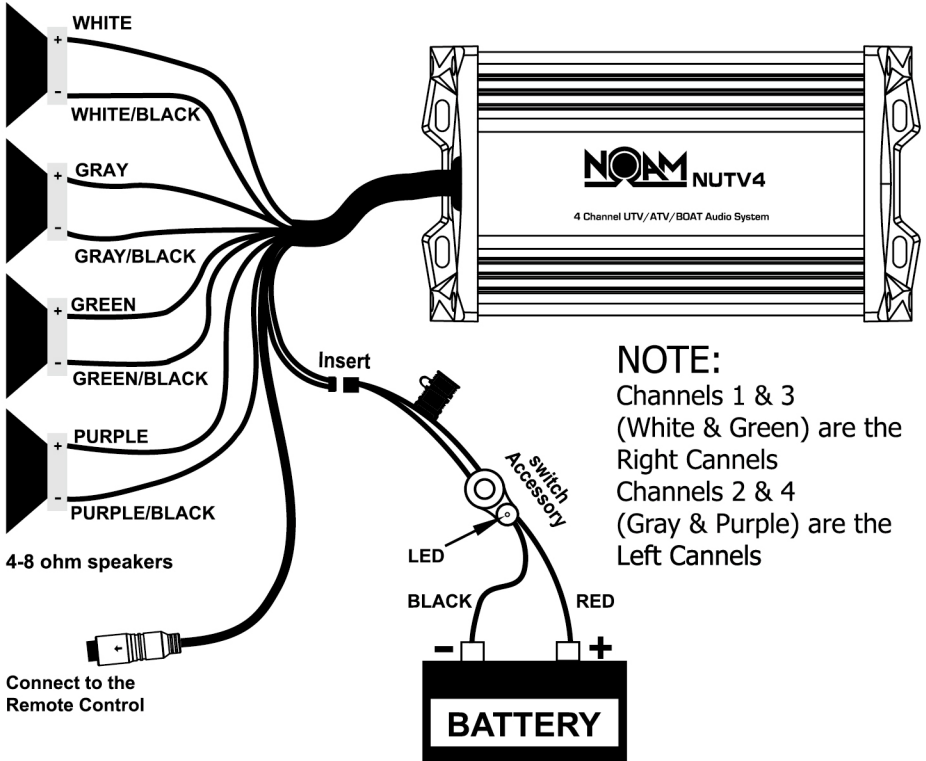
* Use the 1.5" pad if more padding is required.

NOTE

Rubber Pad in 3 Specification:	Rubber Pad Quantity You'll Need for Each Mounting Dimension:
Pad No.1: 76X30X2mm* 4PCS	2" Bar: Pad No.1* 2PCS
Pad No.2: 150x30x3mm*6PCS	1.75" Bar: Pad No.1*2PCS and Pad No. 2*1PC
Pad No.3: 38x30x3mm*4PCS	1.5" Bar: Pad No.1*2PCS and Pad No. 2*2PCS

Attention: Pad No.2 (6"-150mm) should go all the way around the bar if the pad is too long, cut the extra length.
Note: pad no.3 is an extra small pad that can be used in case you need an extra spacer for a better grip

Power and Speaker Wiring

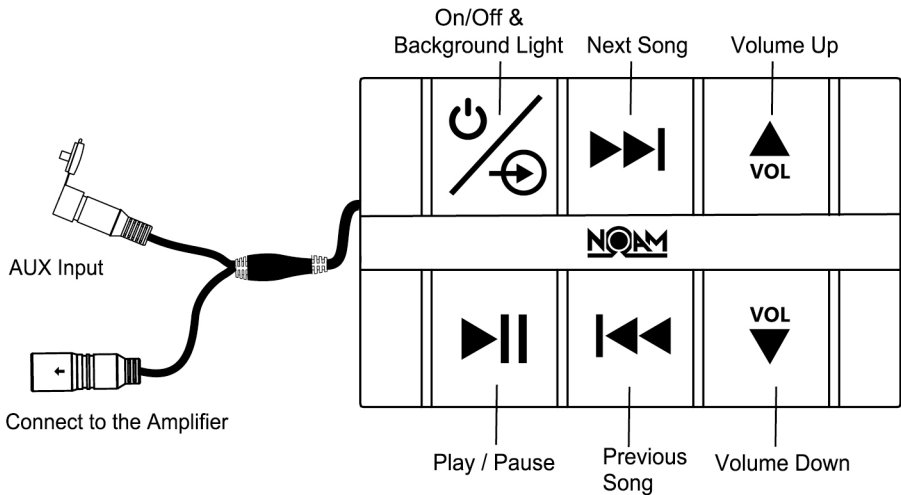


wire color


Red
Black
White
White/Black
Gray
Gray/Black
Green
Green/Black
Purple
Purple/Black

Description








Battery (+), 12dc / 12vdc = ON
Battery (-), Ground
CH1 (+)
CH1 (-)
CH2 (+)
CH2 (-)
CH3 (+)
CH3 (-)
CH4 (+)
CH4 (-)



Bluetooth® Pairing and Connection:

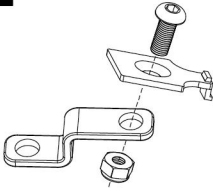
1. Connect Bluetooth® controller box to your device
2. Press and Hold  for three seconds until power indicator lights (red)
3. The system will automatically go into pairing mode
The power indicator will turn red for about 4-6 seconds and then alternating red and blue (Bluetooth® blue Power red)
Please be sure that Bluetooth® is turned ON. Select NOAM Audio on your device to connect Bluetooth® controller (if the Bluetooth® controller is connected the light will turn blue and not flash)
4. When the device is out of Bluetooth® range, Bluetooth® will be disconnected automatically and automatically reconnect when detected in range again. (If not please just repeat steps 2 and 3)
5. When Bluetooth® is disconnected or the 3.5mm AUX Input is plugged in, the power indicator will glow red.

Playing Music:

1. Press  and hold for three seconds to turn On/OFF
2. Press  shortly in order to control the red background light
3. Press  to start or pause the music
4. Press  shortly for next track
5. Press  shortly for Previous track
6. Press  shortly for volume up
7. Press  shortly for volume down

Bluetooth® Installation (MODE 1"Surface mount")

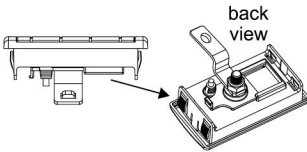
STEP1



1. Install "Z" shaped bracket threaded on to the Bluetooth® controller hook. (packed with Bluetooth® controller.)

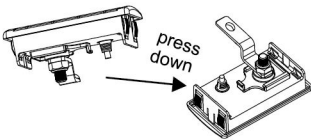
Use the hole on the other bracket's end to mount the controller. any screw/bolt and a washer will allow a clean and easy surface mounting.

STEP2



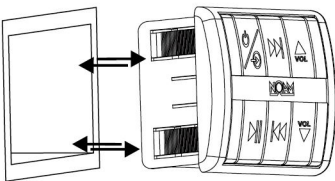
2. Slide the Bluetooth® controller into the hook

STEP3



3. Press down the Bluetooth® controller hook and then slide out the Bluetooth® controller box at the same time to remove the Bluetooth® controller

Bluetooth® Installation (MODE 2"Push-Fixed in Mount")



STEP1 Decide the place for Bluetooth® remote installation. Draw and cut the size into 85 x 49mm (L x W)

STEP2 Push in the Bluetooth® remote

NOAM