

# NOAM<sup>®</sup> NSUB

Visit us on our website and sign up to our newsletter to stay tuned. we are always working on new cool products just for you!

[www.noamaudio.com](http://www.noamaudio.com)



**⚠ WARNING:**

This product can potentially expose you to chemicals including lead, nickel and chromium which are known to the state of California to cause cancer and birth defects or other reproductive harm. For more information go to [www.P65Warnings.ca.gov](http://www.P65Warnings.ca.gov)



## 10" Marine Subwoofer Speaker USER MANUAL

## INTRODUCTION

Thank you for choosing NOAM NSUB Marine subwoofer. We invested a lot of thought, time and effort into the creation of this subwoofer. all while great sound and ease of use are on our mind to lead the way.

Your NSUB subwoofer went through Three rounds Of QC before being packed.

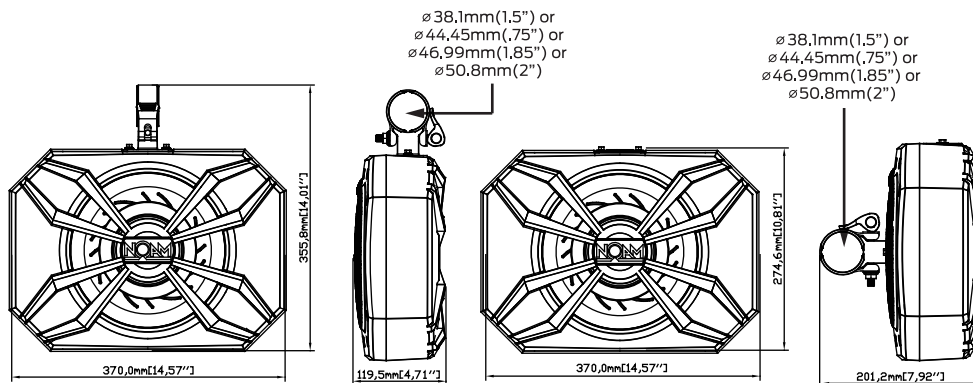
If and at any given time, you have any questions Or concerns, please feel free to contact us at: sales@noamaudio.com

Enjoy Your Ride!

## SUPPLIED HARDWARE/PARTS

- . 1 pcs - NSUB subwoofer
- . 1 pcs- Smart handle screw
- . 1 pcs- Flange nut
- . 2 pcs - of each 1.5", 1.75", 1.85" & 2" rubber inserts
- . 2 pcs- aluminum mounting bands

## DIMENSIONS



## FEATURES

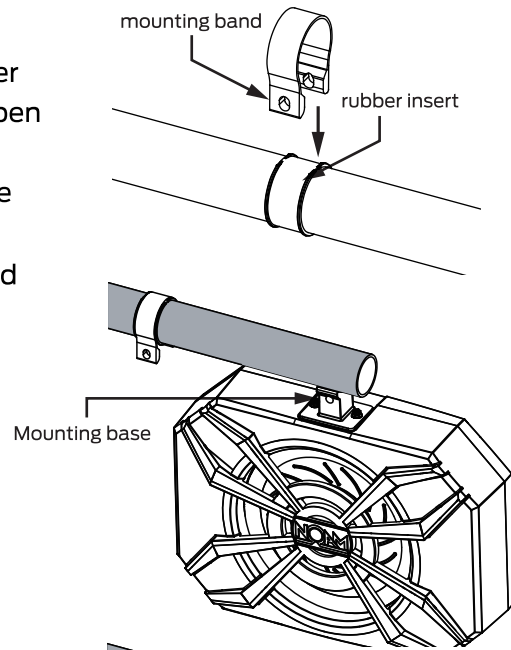
MODEL	TYPE	POWER HANDLING
NSUB	10" Marine Subwoofer Speaker	400W MAX / 200W RMS Power handling
Power Rating:		400 W MAX / 200 W RMS
Sensitivity:		86 dB @ 1W/1M
MidBass:		10" Marine Subwoofer Speaker
Nominal Impedance:		4 ohm
Mounting Dimensions(enclosure+mounting clamp)		
Length:		370mm(14.57")
Width:		119.5mm/201.2mm(4.71"/ 7.92")
Height:		355.8mm/274.6mm(14.01"/10.81")

## INSTALLATION CONSIDERATIONS

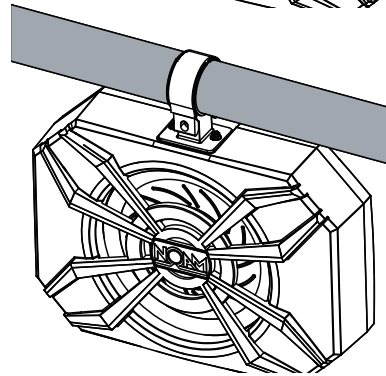
1. Be sure to carefully read and understand the instructions before attempting to install these speakers.
2. For safety, disconnect the negative battery terminal from the battery prior to beginning the installation.
3. For easier assembly, we suggest you have all your tools handy: drill, Allen wrench set, crimps, soldering iron, wire strippers, heat-shrink, etc.
4. Use high quality, waterproof connectors for a reliable installation and to minimize signal or power loss.
5. Think before you drill! Be careful not to cut or drill into gas tanks, fuel lines, brake or hydraulic lines, vacuum lines or electrical wiring when working on any vehicle. If installing in a boat, take care not to cut or drill through the main hull.
6. If possible, do not run wires near fuel lines or power. Running the wires inside the hull area provides the best protection.
7. Avoid running wires over or through sharp edges. Use rubber or plastic grommets to protect any wires routed through metal — especially the tower.
8. Make sure the mounting clamps are tight before leaving the dock or cruising off-road.

## MOUNTING



Step 1: After choosing the desired location, place the rubber insert around the bar while its open part is at the bottom. Then, slide the mounting band over the rubber insert and bar. follow these instructions to avoid scratching your bar.

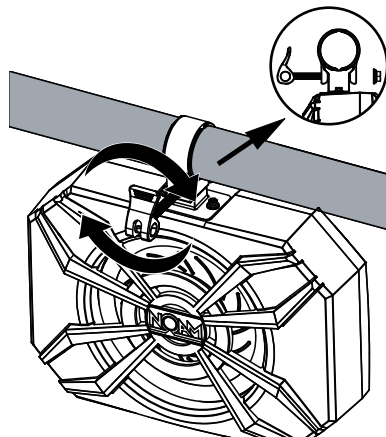


Step 2: Hold the speaker in place where the mounting base fits the open space of the mounting band.



Step 3: Slide the smart handle screw through the mounting band and base and screw it to the Flange nut on the other end. While opened, turn the smart handle clockwise.

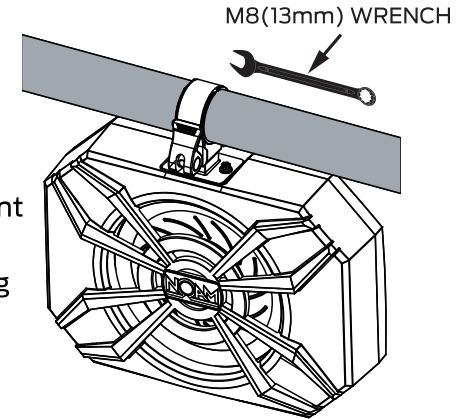
'closed' position   
 'opened' position 



## MOUNTING

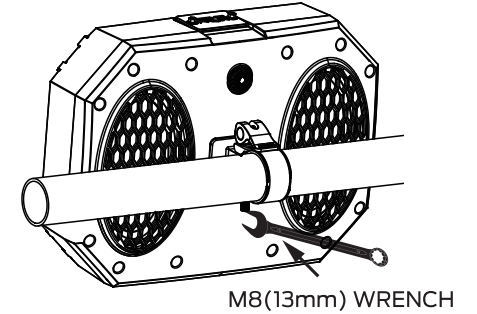
Step 3.1: Push the smart handle to a closed position to tight the mounting band on to the speaker's mounting base.

\* note: screw the smart handle to a point where you can push to close it by hand. final tightening can be done easily using a Wrench. see step 3.2.

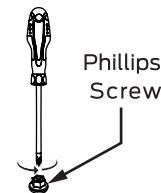


Step 3.2: Using a 13mm nut Wrench, tight the Flange nut for a safe and secure grip of the speaker to the bar.

note: after tightening the Flange nut, it will be impossible to open the smart handle by hand. Use a nut wrench to loosen the smart handle's grip.

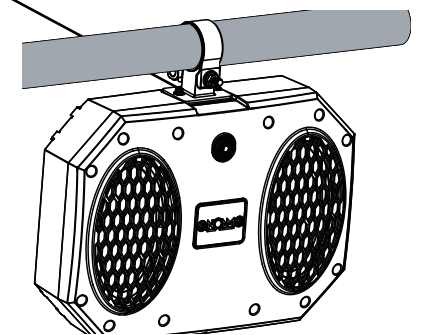
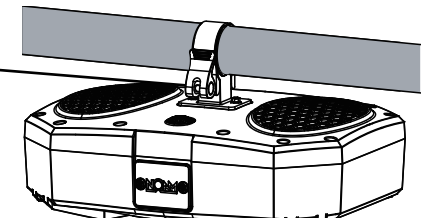


Flat mounting position



subwoofer positioning: using a Phillips screwdriver, you can unscrew the mounting base and screw it back for a monitor position or flat position.

Best practice: If you plan to install the NSUB over your head, we advise to use the flat mounting position



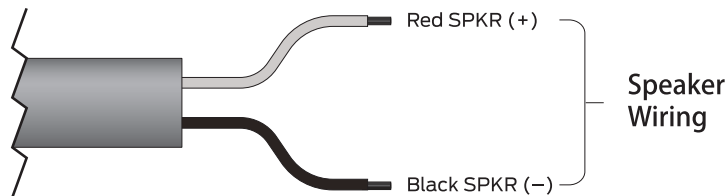
Monitor mounting position

# SPEAKER WIRING CONFIGURATION

## Speaker Wiring:

The NSUB has a long 12 feet wiring, well protected in a wiring sleeve.  
 - You can cut the wires to a desired length for a clean installation.  
 But, make sure to do so only after you finished installing your entire audio system, including its amplifier.

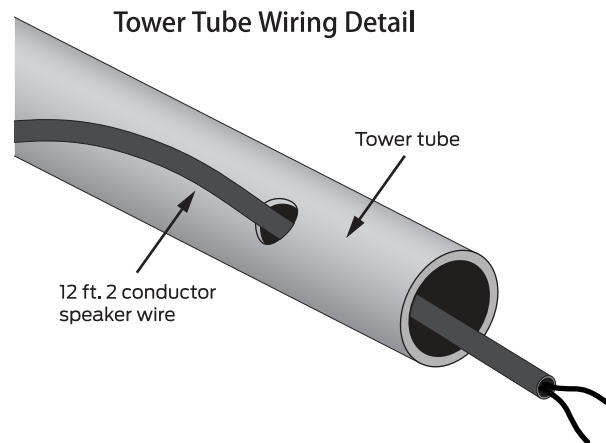
- Connect the speaker wires to your amplifier ensuring correct polarity;  
 Red to positive and Black to negative.



## Running your NSUB wiring:

Option A: Easiest way to run the NSUB's wires would be by running it along and attached to the Bike's cage/body all the way to the amplifier's location. Use a cable tie to ensure a strong grip of the wires to the Bike's body.

Option B - Tube wiring: for the cleanest installation, you might want to choose running the wire's sleeves through the Bike's tubes. If you did choose to drill a hole to run the speaker wire through any location, be careful not to drill into other wiring or existing mechanisms. Any time a wire is run through a hole, it is necessary to insert a rubber or plastic grommet to protect the wire from damage.

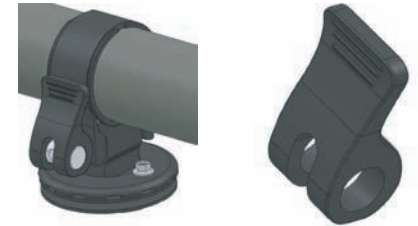


# Importnt featurrs of the NSUB

Please read before first use

## The Smart Handle

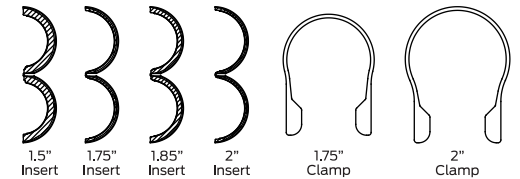
The smart handle is a first of its kind. we created the smart handle with the ease of use in mind.  
 The main purpose of the smart handle is to allow super fast and easy installation of the NSUB subwoofer.



The smart handle will allow you to install the speaker without the need of using any tools. But, we do recommend to use a nut wrench to complete the installation of the NSUB.  
 As described later on pages 4 and 5 of this user manual, after closing the smart handle, a 13mm nut wrench will help you achieving a super strong grip of the mounting clamp to the bar.

## Roll Cage/Bar fitment:

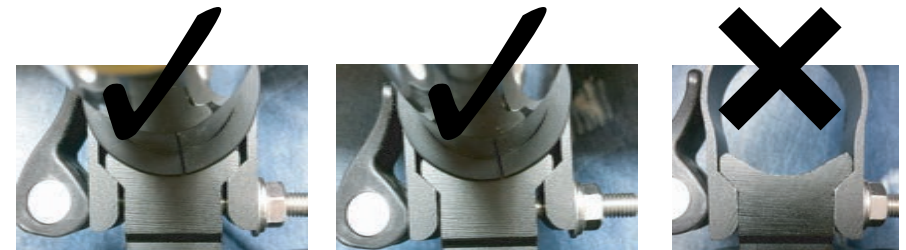
The NSUB comes with 4 pairs of rubber inserts and 2 Aluminum mounting bands. The mounting system of the NSUB is built to fit 1.5", 1.75", 1.85" & 2" bars. Thus, the NSUB will fit most UTV's models.



\* Before installing please measure is your roll cage's diameter.

Rubber Inserts: Each rubber insert has its intended size written on it.  
 Aluminum Band: the NSUB has 2 Aluminum band in 2 different sizes. Smaller Band should be used for 1.5" & 1.75" bars while the bigger one should be used for 1.85" & 2" bars.

## Strong And Secure Grip



The 2 photos on the middle and left shows the right way of installation. After tightening the mounting band, you should see a gap between the mounting band and the speaker's mounting base. This gap is meant to insure a high tension and super strong grip on your roll cage/bar. If after tightening the mounting bracket, you get a full contact between the mounting band and the speaker's mounting base, it means you are probably using the wrong rubber insert size. Please measure your bar's diameter and use the right insert size in accordance. Each rubber insert has its intended size written on it (1.5"/1.75"/1.85"/2")