

# NOAM

## NBTR

Marine Bluetooth® controller



# OWNER'S MANUAL



**WARNING:**

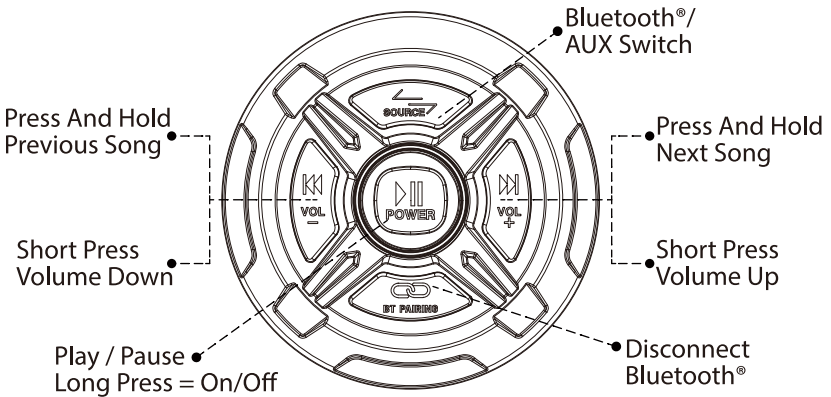
This product can potentially expose you to chemicals including lead, nickel and chromium which are known to the State of California to cause cancer and birth defects or other reproductive harm. For more information go to [www.P65Warnings.ca.gov](http://www.P65Warnings.ca.gov)

Thank you for making **NOAM** your choice for marine audio entertainment!

## **NBTR** **Marine Bluetooth® controller**

- Designed for marine and powersports applications.
  - IPX6 water resistance rating.
  - For all elements.
  - Bluetooth® connectivity.
  - Wireless connection range up to 35ft.\*
  - 3.5mm jack auxiliary audio input.
  - RCA pre-output and remote turn-on to connect external amplifiers.
  - Use it as stand-alone source unit/receiver.
  - Easy to use - LED illuminated push buttons.
  - One hole design for easy installation.
  - Including 9' RCA cables and a NOAM rocker switch.
- \* Conditions may vary the maximum range.

## **Bluetooth® Pairing and Connection**



## Power:

1. Long press the power button to power on/off.

## Wireless Bluetooth® Streaming Connection:

- a. Ensure Bluetooth mode is activated, then search for the NBTR from your Bluetooth-enabled device. The light will blink short and fast while waiting for Bluetooth connection.
- b. The NBTR Bluetooth Network Name will appear as “NOAM” (No password is required for connecting).
- c. When the Bluetooth is connected, the light will blink slower.









## AUX-IN

- a. Short press  to switch Bluetooth mode to Aux-in mode.

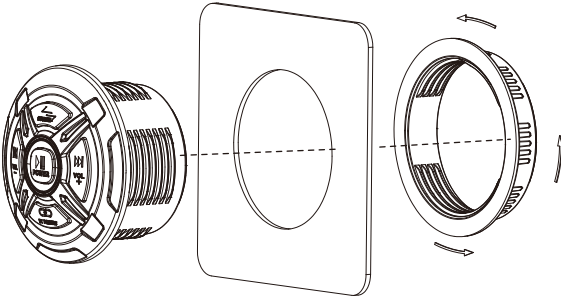
## Auto Reconnection:

- a. When the Bluetooth device is out of range, the NBTR's Bluetooth will disconnect automatically and the buttons will start blinking short and fast.
- b. If within 10 minutes, the Bluetooth device will be back in range, the NBTR will automatically reconnect to it.
- c. If 10 minutes have passed, you will need to manually reconnect with the NBTR.

## Playing Music

1. Long press  for 3 seconds to Power ON or OFF.
2. Short press  to play music or pause.
3. Short press  to switch Bluetooth mode/Aux-in mode.
4. Short press  for volume up, press and hold  for next track.
5. Short press  for volume down, press and hold  for previous track.
6. Press and hold  to disconnect Bluetooth.

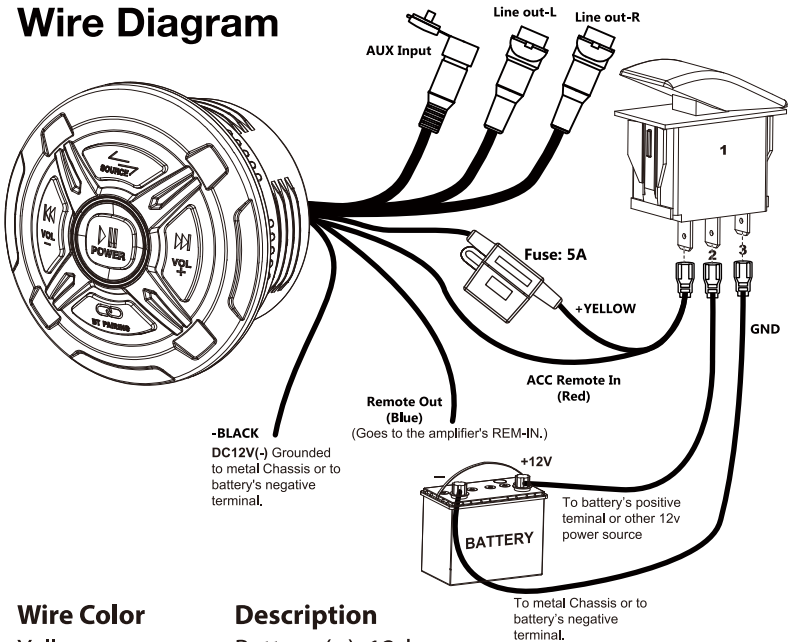
# Installation (Seamless Flush Mount)



## Size:

- 3.43" (Overall Diameter)
- 2.76" (Overall Depth)
- 2.75" (Mounting Hole Diameter)
- 2.20" (Mounting Depth)

## Wire Diagram



### Wire Color

### Description

- |              |                             |
|--------------|-----------------------------|
| Yellow ----- | Battery (+), 12dc           |
| Black -----  | Battery (-), Ground         |
| White -----  | Line out-L                  |
| Red -----    | Line out-R                  |
| Red -----    | ACC                         |
| Blue -----   | REMOTE                      |
| Red -----    | 2-rocker switch power wire  |
| Black -----  | 3-rocker switch Ground wire |