

# SwingBay Install Instructions



Questions?

Call: 1-888-831-9489

Email: [info@rainorshinegolf.com](mailto:info@rainorshinegolf.com)

Scan to Watch Our Install Video:



**Thank you for your purchase of a SwingBay Screen and Enclosure from Rain or Shine Golf!**

- **2-Person Assembly is Required**
- **1-Year Warranty is Included with Purchase**
- **Please leave 12" inches of space behind the impact screen**

**Note: The connection Between Frame Pieces and Connector Pieces is Tight which is to be expected to ensure a stable frame**

**Pro Tip: Slowly Twist the Frame Piece when inserting it into the connector pieces and firmly push until the push button reaches the hole opening**



# WHAT'S INCLUDED

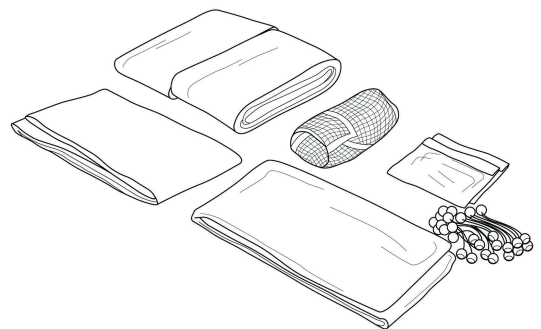
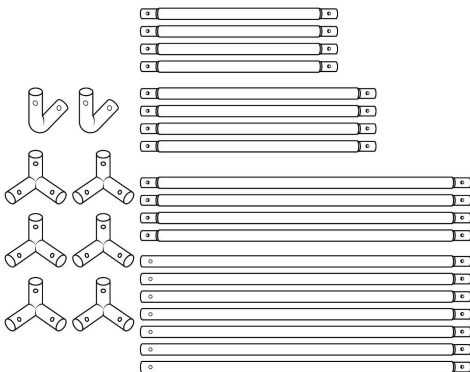
You should have received the following parts in your SwingBay Box:

## Frame Pieces:

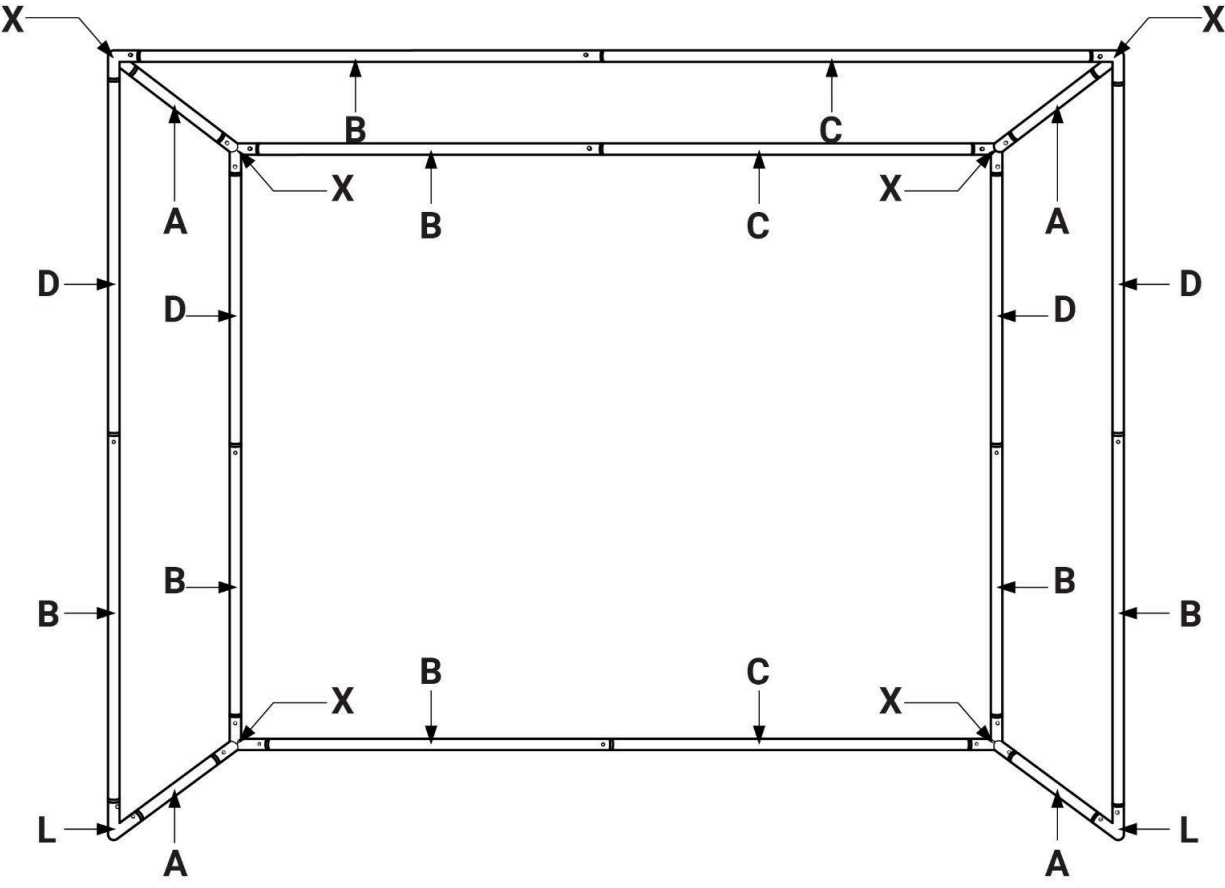
- 4 x A Frame Pieces
- 7 x B Frame Pieces
- 3 x C Frame Pieces
- 4 x D Frame Pieces
- 2 x L Connector Pieces (2-way)
- 6 x 3 Way Connector Pieces (3-way)

## Soft Goods:

- SwingBay Impact Screen
- SwingBay Blackout Curtain
- 50 x Ball Bungees
- 4 x Frame Pads
- 2 x Side Barrier Netting
- 2 x Sandbags



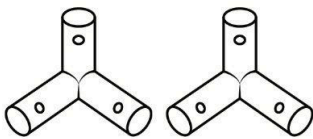
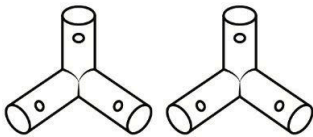
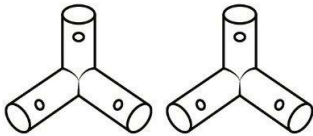
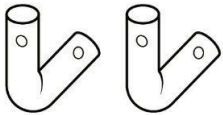
# FRAME DIAGRAM



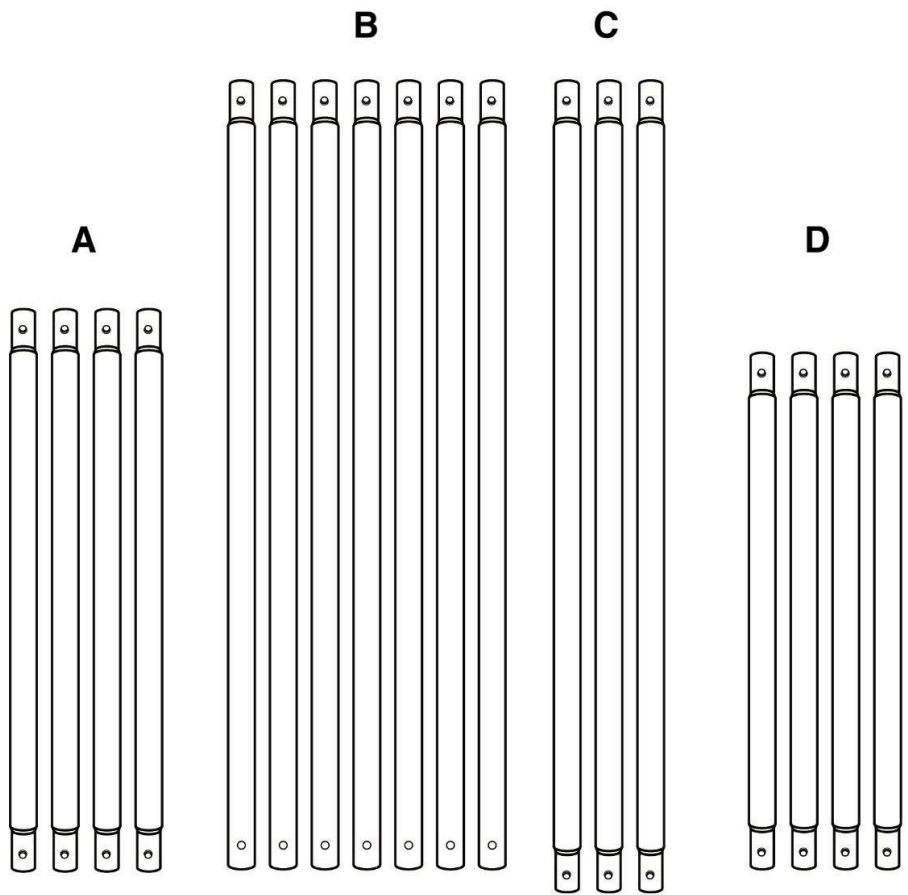
# GETTING STARTED

Step 1 - Layout All of Your Frame Pieces:

**L-Connector**



**3-Way Connector**



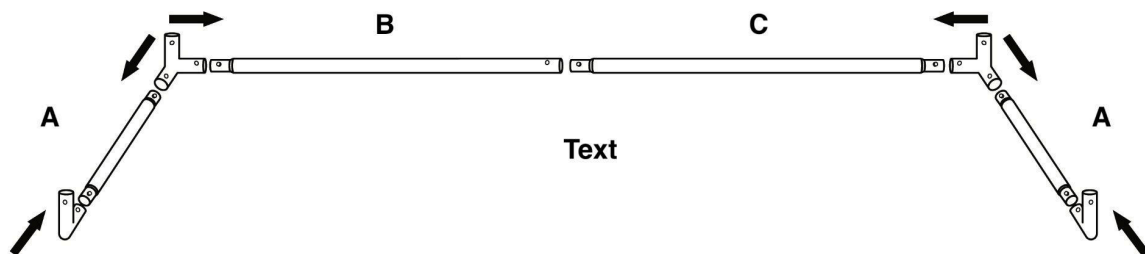
# BUILD YOUR BASE

**Step 2: Start Building Your Base by Connecting a B to C Frame Piece to Create the Bottom Back Portion of Your Frame**

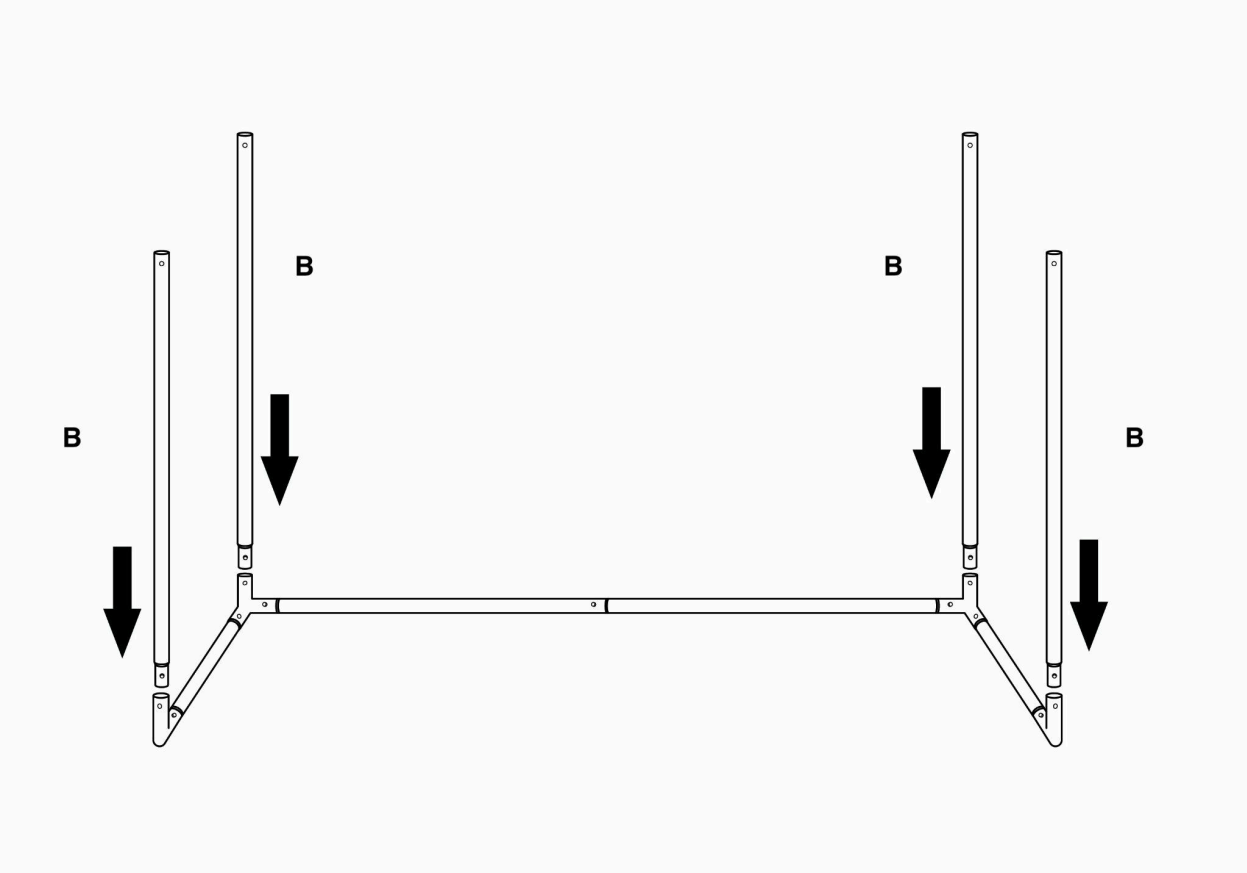
**Step 2a: Add a 3-Way Connector to the end of the B and C Frame Piece**

**Step 2b: Add an A-Frame Piece to the 3-Way Connector on Each Side (Opening on the Bottom of 3 Way Connector to Build the Bottom of Your Side Wall)**

**Step 2c: Add an L (2 Way) Connector Piece to the End of each A-Frame Piece where the opening is facing upward**



**Step 2d: Add a B Frame Piece to the 2 openings on the 3 Way Connector Pieces and the 2 openings on the L Connector Pieces**



# **BUILD YOUR SIDE WALLS & ATTACH**

**Step 3: Start Building the Top of the Side Walls by Connecting a D Frame Piece to a 3 Way Connector**

**Step 3a: Add an A-Frame Piece to the 3 Way Connector that is attached to the D Frame Piece to Build the Top of Your Wall (the D Piece is Vertical - A Piece is Horizontal)**

**Step 3b: Add another 3-Way Connector to the other end of the A-Frame Piece (Open Connections will be Downward and Towards the Inside of the Frame)**

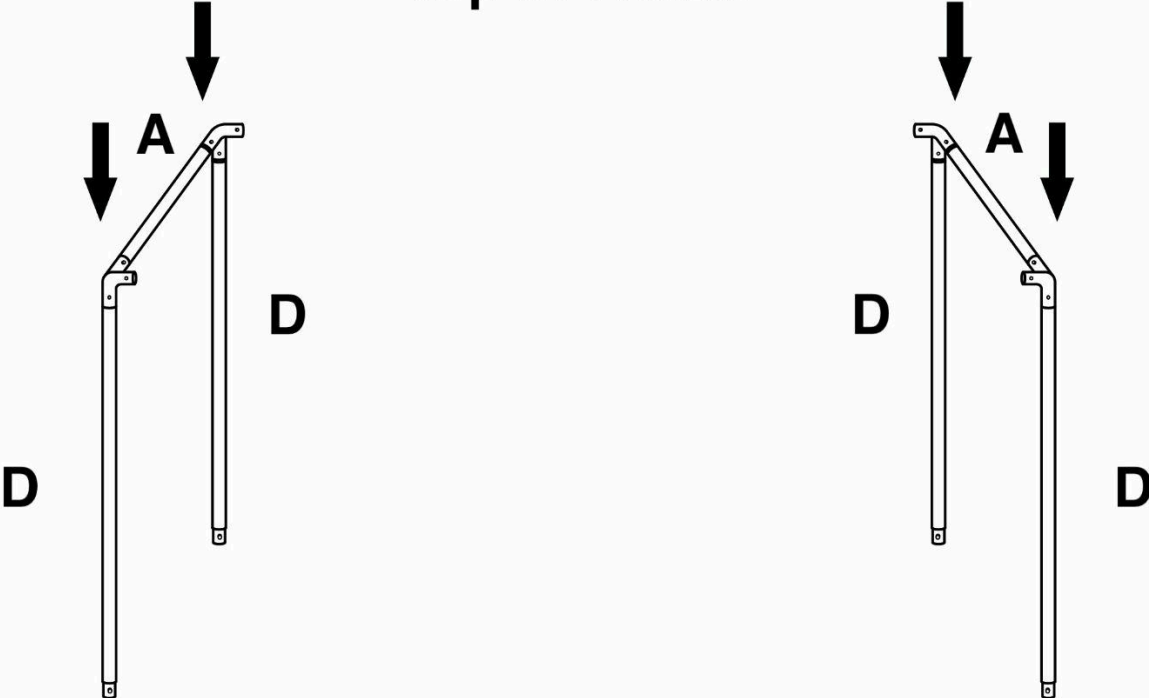
**Step 3c: Add another D Piece to the Vertical Opening on the 3-Way Connector and Repeat for Opposite Side Wall**

**Step 3d: Build the Left Side Wall by Connecting the Top of the Frame to the bottom of the frame by Connecting the 2 D Frame Pieces to the 2 B Frame Pieces**

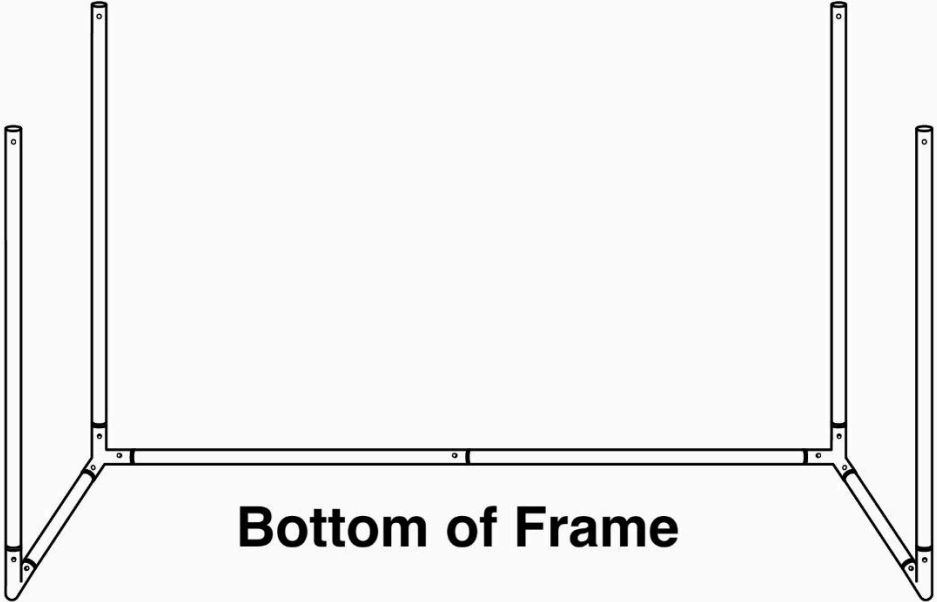
**Step 3e: Repeat to Build the Right Side Wall by Connecting the 2 D Frame Pieces to the 2 B Frame Pieces**



**Top of Frame**

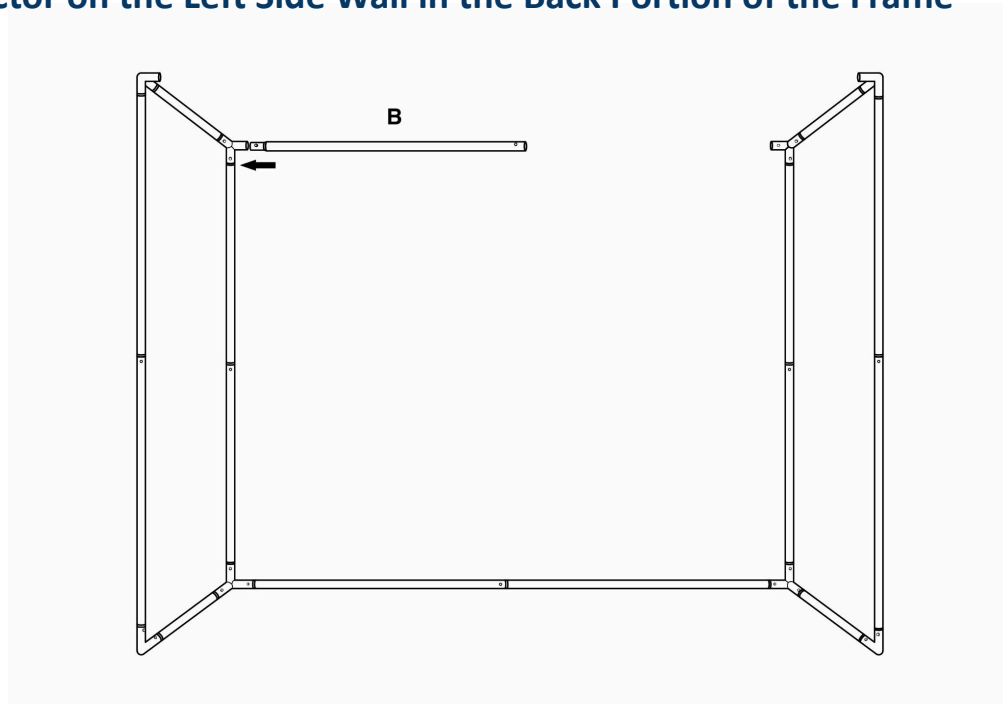


**Bottom of Frame**

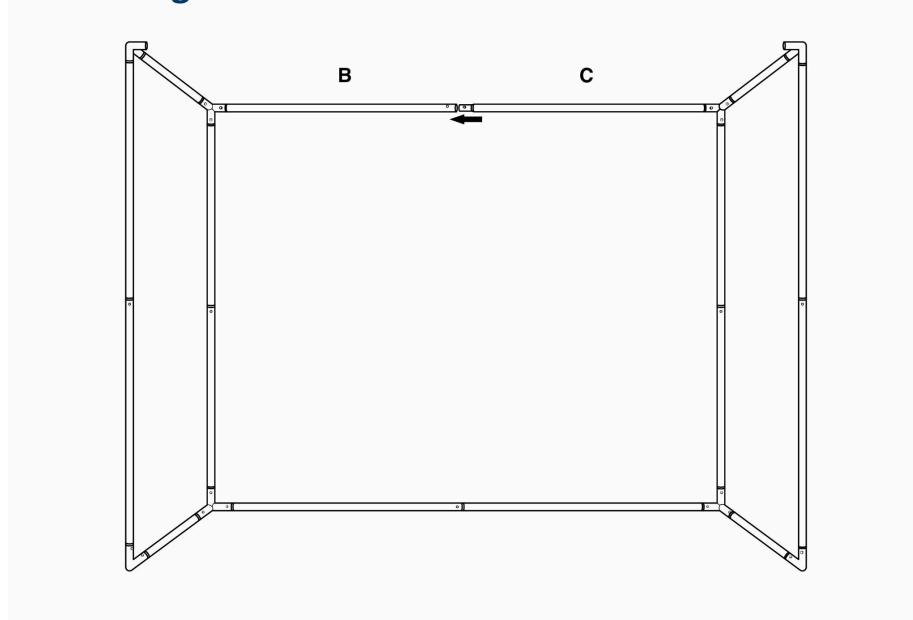


# COMPLETE THE TOP OF YOUR FRAME

**Step 4: Add a B Frame Piece to the Open Connection on the 3 Way Connector on the Left Side Wall in the Back Portion of the Frame**



**Step 4a: Add a C Frame Piece to the Open Connection on the 3 Way Connector on the Right Side Wall in the Back Portion of the Frame**

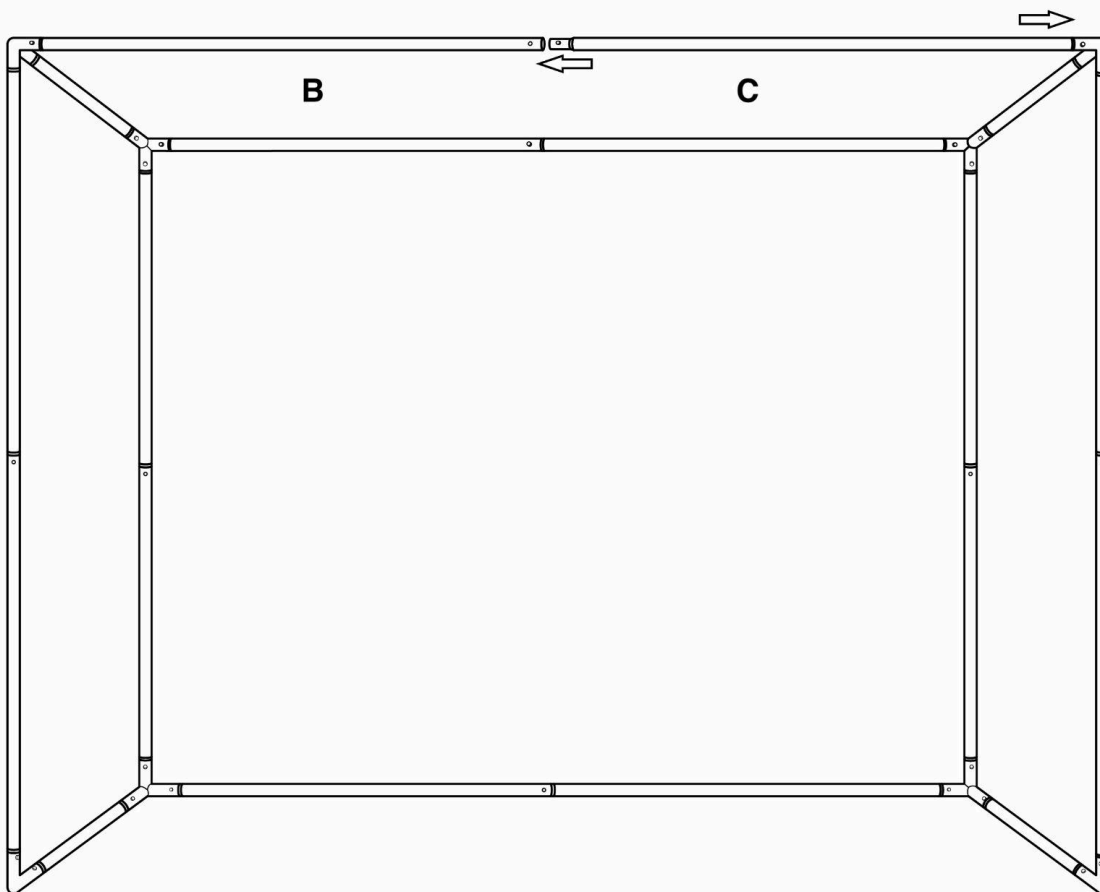


**Step 4b: Connect the B Frame Piece to the C Frame Piece**

**Step 4c: Add a B Frame Piece to the Open Connection on the 3 Way Connector on the Left Side Wall in the Front Portion of the Frame**

**Step 4d: Add a C Frame Piece to the Open Connection on the 3 Way Connector on the Right Side Wall in the Front Portion of the Frame**

**Step 4e: Connect the B Frame Piece and C Frame Piece to Complete the Construction of your Frame!**

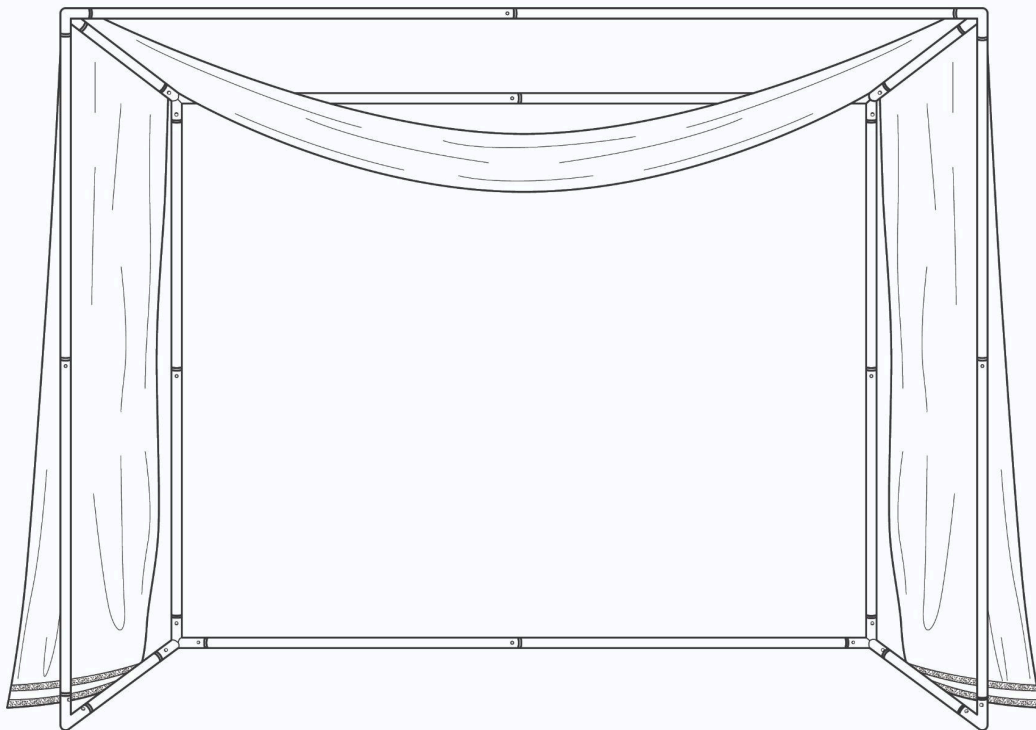


# ATTACH THE BLACKOUT CURTAIN

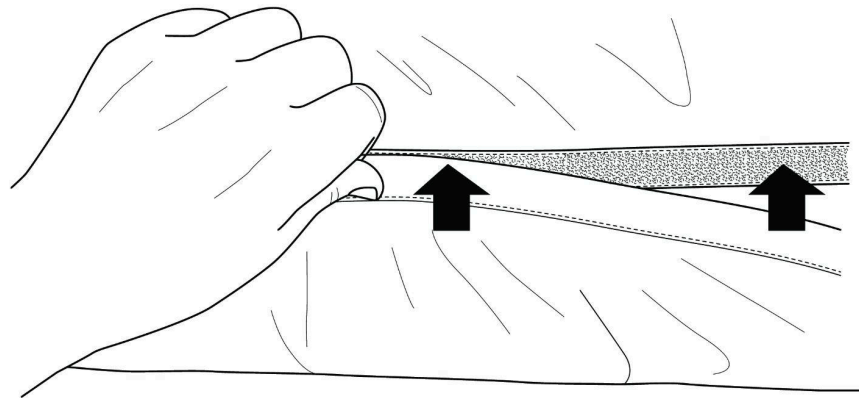
**Note: You Will You will Need Assistance from 1 Other Person for the Rest of the Assembly Process**

**Step 5: Attach the Blackout Curtain to the Frame - Start by Laying Out the Blackout Curtain where the Rain or Shine patch is on the left side of the frame (the patch will be on the left side wall towards the bottom of the frame)**

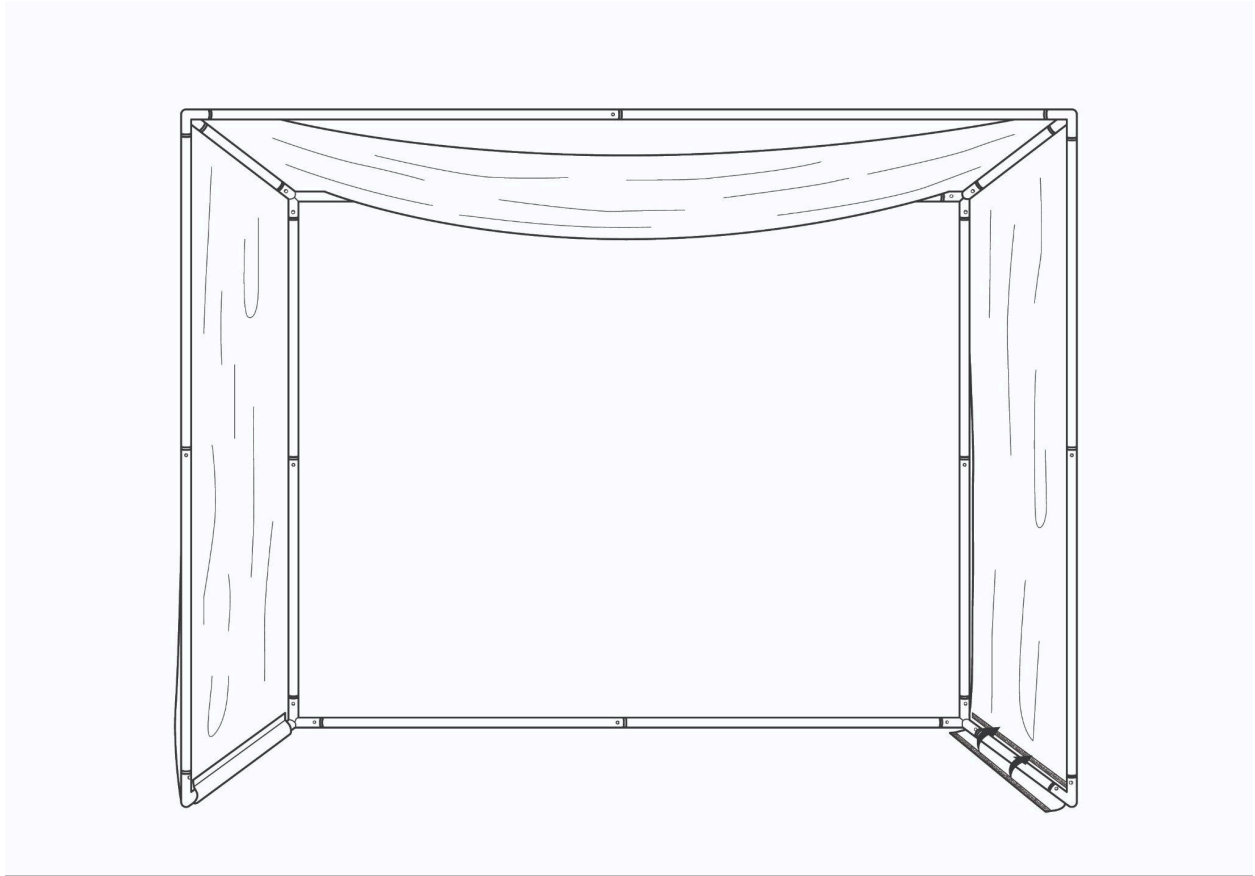
**Step 5a: Drape the Blackout Curtain over the top of the two side walls where the Rain or Shine patch is on the inside of the frame towards the bottom of the Left Side Wall**



**Step 5b: Disconnect the velcro on the end of the blackout curtain and pull underneath the left side wall (A-Frame Piece) and Reconnect the Velcro by Wrapping the End of the Blackout Curtain Around the Bottom of the Left Side Wall and Reconnect Velcro Securely**



**Step 5c: Pull the End of the Blackout Curtain Under the Bottom of the Right Side Wall and Secure the Velcro around the Frame**

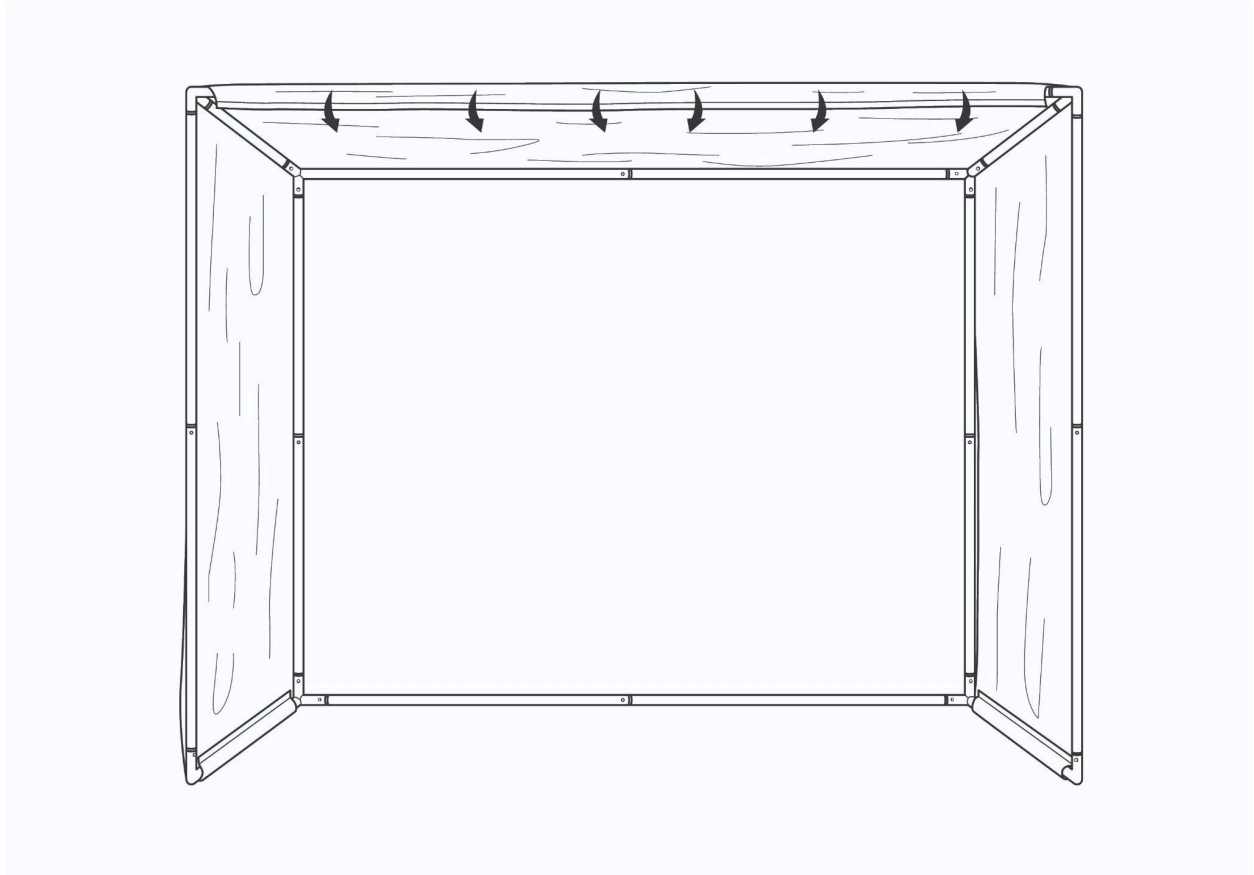


**Step 5d: Connect the Velcro Around the Top of the Left Side Wall by Removing the Velcro and Reattaching after Wrapping Around the Frame**

**Step 5e: Repeat on the Right Side Wall starting at the Top of the Right Side Wall**

**Step 5f: Disconnect the Velcro and Reattach by wrapping the blackout curtain around the vertical frame pieces on the front of your frame**

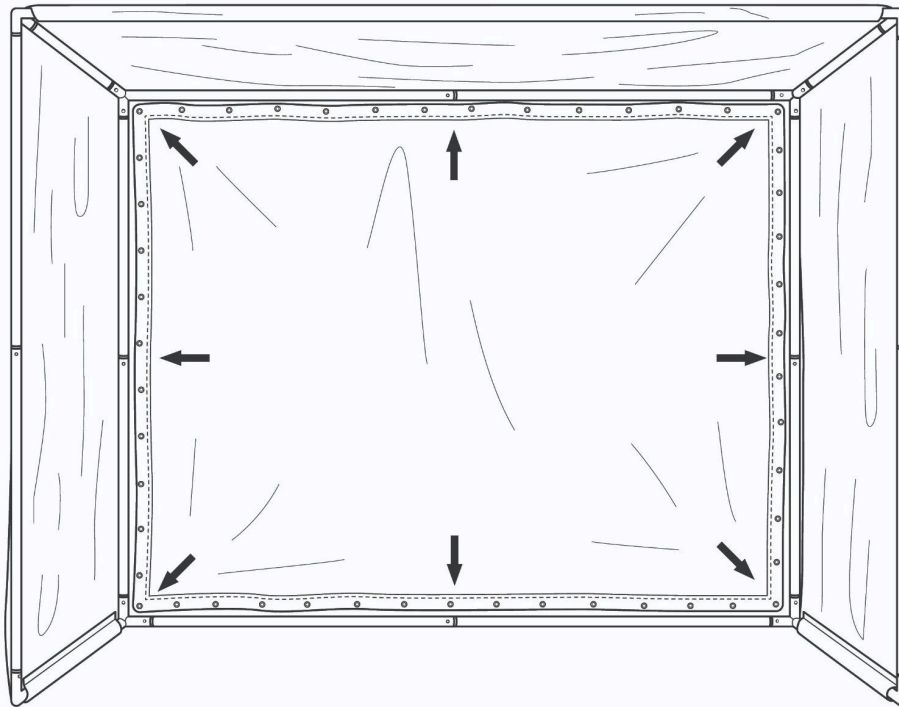
**Step 5g: Complete the Assembly of the Blackout Curtain by Wrapping the Blackout Curtain Around the Horizontal Section of the Front of the Frame and Securing it with the Velcro**



**Note: Leave a small section of velcro when attaching the blackout curtain around the vertical portion of the frame so you have space to attach the side barrier netting in a later step**

# ATTACH THE IMPACT SCREEN

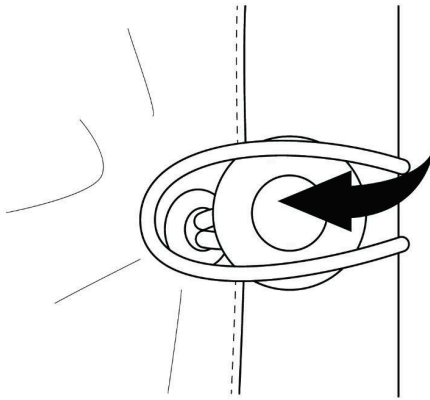
**Step 6: Unfold and Layout Your Impact Screen - Be Careful to Place on a Clean Surface - The Side With the Velcro will be the side you are hitting into and facing towards the inside of the frame**



**Step 6a: Starting in the Top Corners, Attach the Impact Screen to the Blackout Curtain by running a ball bungee through the grommet openings of the impact screen and blackout curtain and securing around the frame**



**Step 6b: Repeat this process on every grommet opening around the top horizontal portion on the back of the frame and the vertical portion on the back of the frame**



---

**Step 6c: Attach the impact screen to the bottom of the frame by running a ball bungee through the grommet hole of the screen and securing around the frame**

# **ATTACH FRAME PADS AND SIDE NETTING**

**Step 7: Attach the Frame Pads using the Open Velcro Surrounding the Impact Screen, Start by Attaching the Horizontal Frame Pads**

- 2 Horizontal Frame Pads (Shorter on Bottom, Longer on Top)**
- 2 Vertical Frame Pads (Padding Closest to the Screen)**

**Step 7a: Attach the Side Barrier Netting on the Vertical Portion on the Front of the Frame on Each Side Using the Open Velcro on Each Side**

**Step 7b: Attach Sandbags to the End of Each Side Barrier Netting and Extend Towards your Hitting Area**

**Congratulations, you have successfully completed the install of your SwingBay Screen and Enclosure! You are now ready to begin hitting golf balls and when paired with a launch monitor you are well on your way to analyzing your shot data, and playing world class golf courses!**

**Scan to Contact our Customer Success Team:**

