

Master Tailgaters

4.0" Rear View Mirror Monitor With 3-way Recording

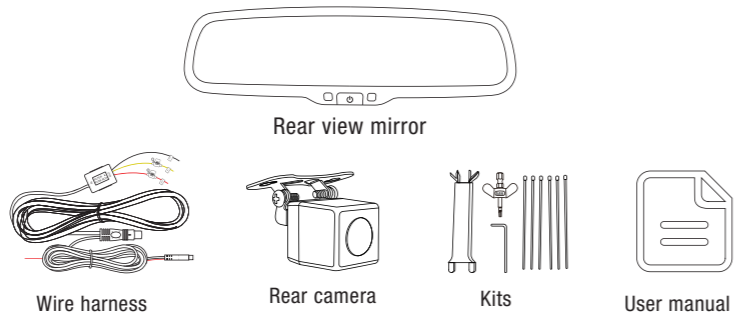
USER MANUAL



Model: MR-4-F3DVR3



PACKAGE



FEATURES

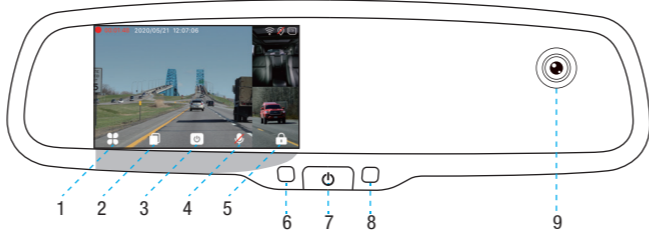
- Front recording 1080P
- Rear recording 720P
- In-cabin IR camera 720P
- Starvis night vision
- Wi-Fi connection
- Back up camera display
- LCD power save
- Parking monitor
- Time lapses video
- G-sensor
- Real-time view on app
- Waterproof rear camera

SPECIFICATIONS

Video Resolution	Front 1080P Rear 720P In-cabin IR camera 720P
Video Format	H.264, MOV
Display Screen	4.0 inch
Memory	SD card (MAX 128GB)
Wi-Fi	0-10m
Audio	Built in mic and speaker

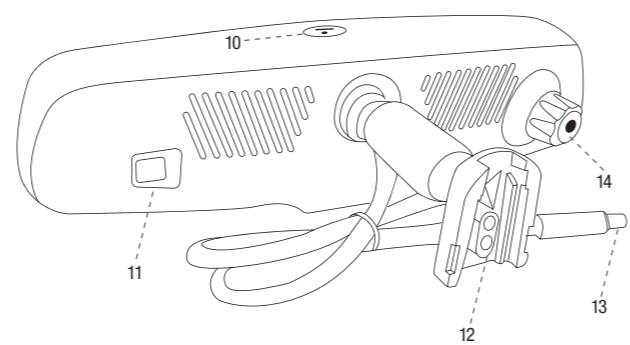
G-Sensor	Support
Parking Monitor	Support
Super Capacitor	(3.3F, 2.7V) X2
Supporting platform	Android / IOS
Operation Temperature	-20°C-70°C
Storage Temperature	-30°C-80°C
Working Voltage	10-16V
Language	English, Chinese, ...

REVIEW



NOTED: The touch area of the keys is not on the glass screen, but on the plastic frame below the key icon.

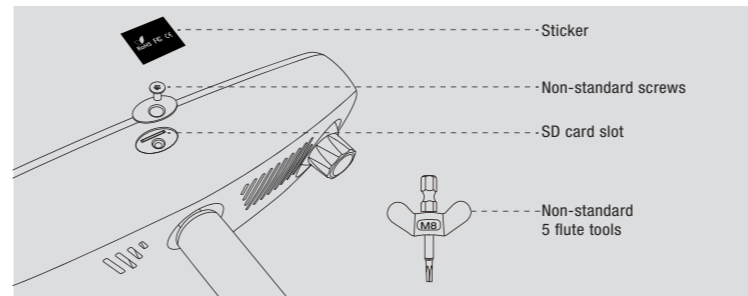
1. Menu and back
2. Video switch
3. Screen on/off
4. Microphone switch
5. Lock video
6. Light sensor
7. Power button: Short press to turn on/off screen; Long press to turn on / off the device
8. Indicator
9. In-cabin IR camera



10. SD card slot
11. Light sensor
12. Cable connector
13. Windshield Bracket
14. Camera lens

ABOUT THE SD CARD SLOT

Using anti-theft design, the SD card is hidden inside, locked with non-standard screws and covered with stickers. Patent special structure makes the card is hard to find and must use special non-standard 5 flute tools to open.



ABOUT THE IR LIGHT (OPTIONAL)

In-cabin IR camera is hidden inside the glass and is not easy to be found. It uses infrared light that is invisible to the human eye for supplementary lighting, without causing sensory discomfort.

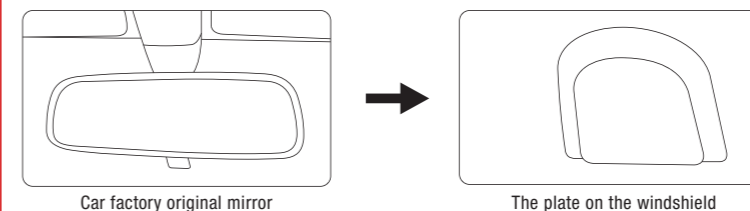
1. Not ordinary infrared light with red dots, visible to naked eyes.
2. this ultra-infrared light is invisible to naked eyes.
3. Can capture clear black and white images of the inside car.



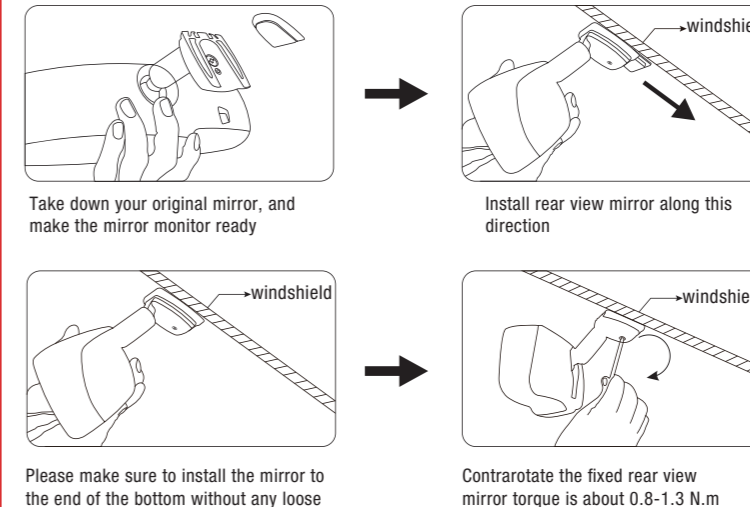
HOW TO INSTALL MIRROR MONITOR

Remove the original mirror

Different vehicle manufacturers may have different mounting brackets. There are many methods to remove the original rear view mirror. Check with the manufacturer for best removal methods. Please don't force the mirror off the brackets. Master Tailgaters will not be responsible for any damage caused by improper removal and installation of the mirror.

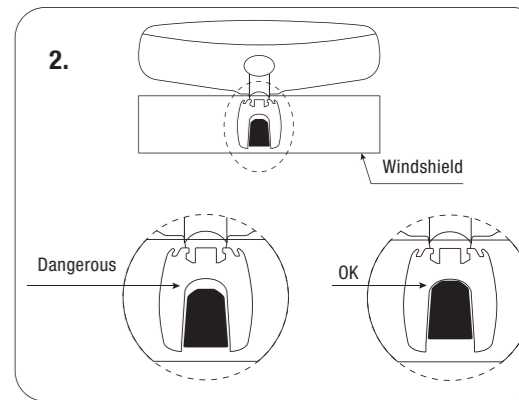
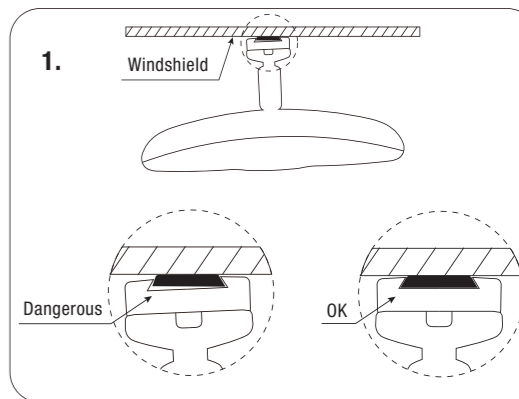


Install mirror monitor on the plate

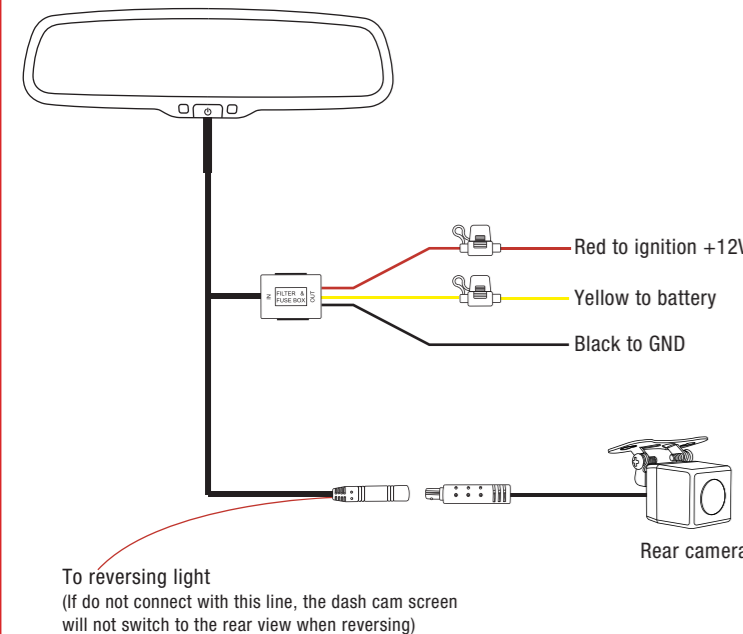


NOTE: Always use caution, DO NOT force the mount. We will not be responsible for broken windshields. If you are not sure how to remove or re-install the mirror seek trained, qualified help.

CAUTION!



HOW TO WIRE



AUTOMATIC BRIGHTNESS ADJUSTMENT

The brightness of screen varies with ambient light, thereby, to make driver get a clear and comfortable image when reversing.

WEAK LIGHT: When ambient light is weak, the screen will automatically reduce the brightness and get better vision.

STRONG LIGHT: When ambient light is strong, the screen will automatically increase the brightness and get better vision.

MOBILE PHONE APP CONNECTION AND OPERATION

Built-in Wi-Fi module, this system can connect mobile phone through Android or IOS APP, please check below for its setting.

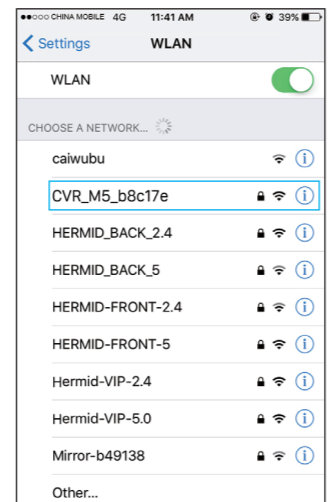
1. Scan the QR code below to quickly install your mobile app.



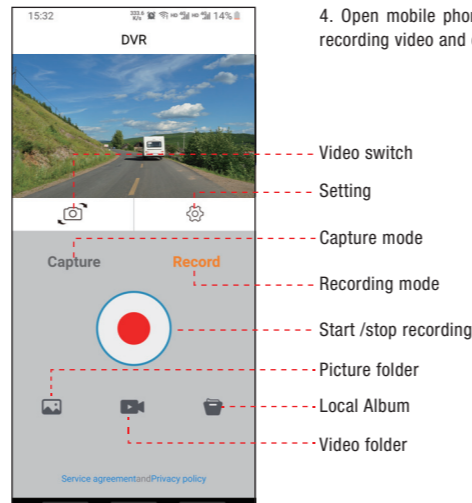
2. In the main interface of the dash camera, short press "☰" to enter the menu setting page, select Wi-Fi, and set it to "open". At this time, the Wi-Fi name and password will be displayed on the main interface, and the Wi-Fi icon will change from "📶" to "📶", as shown below.



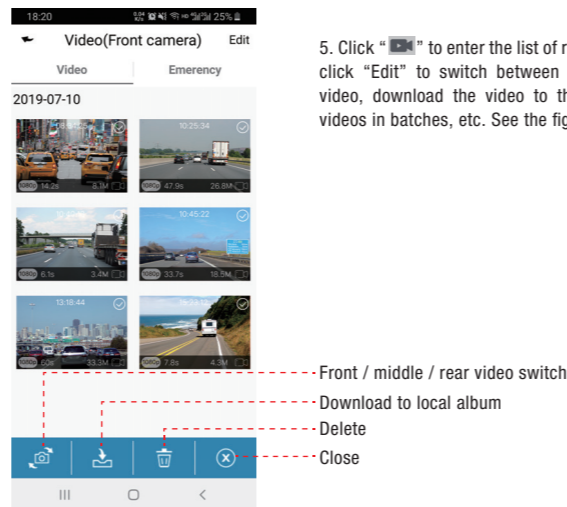
3. Enter mobile phone interface, turn on Wi-Fi and connect Wi-Fi ID (default name CVRDV_M5_*, "*" is system MAC address), enter initial password: 12345678. After the connection is successful, the main interface Wi-Fi icon will change from "📶" to "📶".



4. Open mobile phone APP, user can check the recording video and operate accordingly.

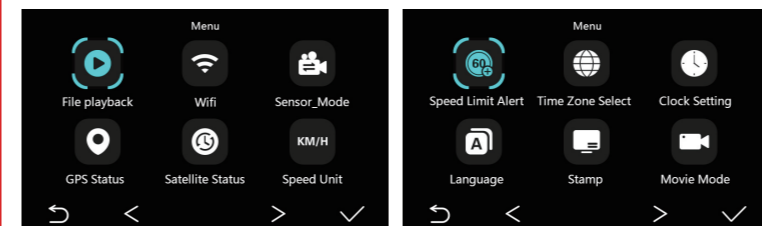


5. Click "📷" to enter the list of recorded videos, click "Edit" to switch between front and back video, download the video to the local, delete videos in batches, etc. See the figure below.



MENU SETTINGS

Tap the icon "☰" in the main interface to proceed to the menu settings.



☰ Return ⏪ Previous ⏩ Next ✓ Confirm

File playback: "Normal file", "Event file" and "Picture file" are optional. After entering the playback page, press "📷" button to switch to view the front / middle / rear channel video.

Wifi: Can set "on / off". **Sensor_mode:** Can set "F+Rear / F+Mid / F+Mid+R".

GPS status (Optional): Decide the positioning status according to the progress bar.

Satellite status (Optional): Can set "on / off". **Speed unit (Optional):** Can set "km/h / mph".

Speed Limit Alert (Optional): Can set "off / 50km/h / 60km/h / 70km/h".

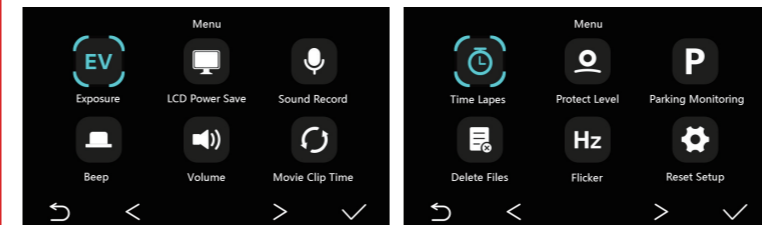
Time Zone Select: Select the corresponding time zone according to the time zone standards of different countries. Can set "+08:00 / +09:00 / +10:00 / +11:00".

Clock Setting: Can set "year/month/day", "hour/min/sec". System time can be marked on the video.

Language: "English / Simplified Chinese / Traditional Chinese".

Stamp: Can set "Date + logo / Date / Off". **Movie Mode:** Can set "FHD30 / HD30".

* GPS status, Speed Limit Alert, Speed unit, Satellite status, these four functions can only be used when the device you purchased has GPS function as the GPS function is optional.



Exposure: Can set "Up / Down".

LCD Power Save: Can set "off / 1min / 3mins".

After exiting the menu, the mirror will start to count the time once there are no operations. The screen will auto turn off when it reaches the time you set.

Sound Record: Can set "on / off". **Beep:** Can set "on / off". **Volume:** Can set "Up / Down".

Movie Clip Time: Can set "1min / 2mins / 3mins".

Time Lapses: Can set "on / off". Turn on the "time lapses" video function. When the car is turned off and the machine is in the ACC disconnected state, the machine will prompt to enter the "time lapses" video. When the voltage reaches 11.3±0.15V setting, the machine will stop recording automatically to avoid car engine can't start properly because of low voltage.

When playing a video, it turns a long video of slow motion into a short video of fast motion, similar to fast forward playback in movies. For example, when recording for 1 minute, the video is compressed to 1 second, and the recording for 1 hour is changed to 1 minute to play.

Protect Level (G-sensor): Can set "Off / High / Middle / Low".

With G-sensor function, dash camera can automatically save the video as event file when it detects acceleration of gravity changes greatly. For example, when car crash happens. The event file will be locked and cannot be overwritten in record cycle mode. It can only be manually deleted or formatted.

Parking Monitoring: Can set "Off / High / Middle / Low".

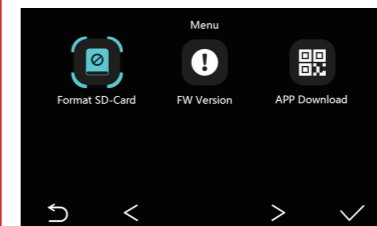
Turn on the parking monitoring function. When the car is turned off and the machine is in the ACC disconnected state, the machine senses that the car is subject to an external collision. The machine will power up to record 10 seconds of video and enter the sleep state after ten seconds.

Delete files: Can delete "Normal file" and "Event file".

Flicker: Can set "50Hz / 60Hz".

Each country has different supply frequency due to geographical reason. Standard frequency of dash camera lens is constant 50Hz. When the supply frequency inconsistent with frequency standard the image on the device will appear joggling phenomenon. At this point users should adjust Frequency to consistent with supply frequency.

Reset Setup: Users can reset the device to the original factory settings.



Format SD-Card: If it's not necessary to save the videos in card, user can delete all videos (both normal video and event files) by formatting.

FW Version: Check the device version number.

APP Download: Android version / IOS version / Built-in APP QR code.

*Changes in the shape of the icon or the upgrade of the menu function due to the firmware version upgrade will not be notified.

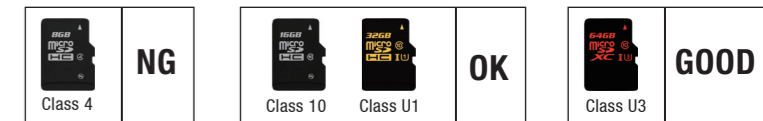
CAUTIONS:

1. Please format the card first after inserting the card, otherwise there will be a video error and a stuck condition when playing back the video.

2. This product's power cable comes with power-off protection, and the car's flame-extinguishing machine is in the ignition-off state to enter the time lapses video and keep recording. When the voltage is low, the machine will stop recording automatically to avoid car engine can't start properly because of low voltage.

3. In the Wi-Fi interface, when mobile phone is connected to machine by Wi-Fi, video will display on mobile phone only, won't display on machine. If Wi-Fi is disconnected, video will display on machine automatically.

4. For the best performance and durability of video recording, we recommend to use C10 U1 level TF card or better.



* This manual is only for your reference, please check the actual product as the standard!