

OPERATION

Stay Alert Feature

The Stay Alert Feature is designed to test a driver's alertness. To engage (when unit is not alarming) :

- Press and hold City for approximately 2 seconds. Release button during or immediately after the alert is given.

The "H" or "C" will flash indicating Stay Alert is activated. Within 30-60 seconds two beeps are sounded; to show alertness, the driver must press either the Menu, City, or Quiet button within 3-5 seconds.

If the button is pressed within 3-5 seconds, the cycle is repeated. If a button is not pressed with in 3-5 seconds, the alarm sounds and the entire display will flash.

- Press Dark to exit

WARNING!!! Stay Alert is NOT intended as a substitute for adequate rest. You should NOT operate a vehicle if you are drowsy. During extended periods of vehicle operation, you should take frequent breaks. Improper reliance on the Stay Alert feature may result in vehicle damage, personal injury or death.



SWS™

Safety Warning System™

When SWS™ is detected an unique audio alert is sounded and an ⚡ is displayed to indicate an SWS™ message has been received.

Note: Not all areas have Safety Warning System™ transmitters

15

SPEED MONITORING

Laser Tips

If you are the targeted vehicle, a laser gun can often determine your speed within a few seconds after you receive an alert. In this situation, there is generally no time to safely adjust your speed. However, if you are traveling near or behind the targeted vehicle and receive an alert, response time should be sufficient. Any laser alert, regardless of duration, requires immediate action!

Other Speed Detection Systems

Several techniques other than radar or laser are used to measure vehicle speeds. When these methods are being used, no detector can provide a warning. These techniques include:

- **Pacing** - A patrol car drives behind you and matches your driving speed.
- **Vascar/Aircraft** - The time it takes a vehicle to travel a known distance is measured.

WARRANTY INFORMATION

Consumer Warranty

This Whistler Laser-Radar detector is warranted to the original purchaser for a period of one year from the date of original purchase against all defects in materials and workmanship. This limited warranty is void if the unit is abused, modified, installed improperly, or if the housing and/or serial numbers have been removed. There are no express warranties covering this product other than those set forth in this warranty. All express or implied warranties for this product are limited to the above time. Whistler is not liable for damages arising from the use, misuse, or operation of this product.

Note: Units that cannot be repaired will be replaced with the same or similar model. Replacement unit's warranty will be based on the original unit's purchase date.

22

POP™ MODE ALERTS

POP™ Mode Alerts

Because POP™ Mode radar utilizes the same K or Ka band frequencies, POP™ Mode Alerts will be displayed as regular radar alerts.

LASER/RADAR ALERTS

Speed Radar Audio/Visual Alerts

When X, K or Ka is detected, the band ID and signal strength are displayed. The audio alert is continuous and has a geiger counter-like pattern. The faster the beep, the closer or stronger the radar source.

Laser Audio/Visual Alerts

When a laser signal is detected the audio alert is continuous for a minimum of 3 seconds.

- The unit displays an "L".

Pulse Protection®

Pulse (or instant-on) radar is more difficult to detect than conventional radar because it remains "off" until activated to measure the speed of a targeted vehicle.

When a pulse type transmission is detected, your Whistler detector sounds an urgent 3-second audio warning and the unit displays a "P".

After the 3-second pulse alert, the standard alert pattern continues for as long as the signal is present.

It is important to respond promptly to a pulse

16

WARRANTY INFORMATION

Service Under Warranty

During the warranty period, defective units will be repaired without charge to the purchaser when returned with a dated store receipt to the address below. Units returned without a dated store receipt will be handled as described in section

"Service Out Of Warranty."

Due to the specialized equipment necessary for testing a Laser-Radar receiver, there are no authorized service stations for Whistler brand detectors other than Whistler.

When returning a unit for service, please follow these instructions:

1. Ship the unit in the original carton or in a suitable sturdy equivalent, fully insured, with return receipt requested to:

Whistler Repair Dept.
1412 South 1st St.
Rogers, AR. 72756

Please allow **3 weeks** turn around time.

Important: Whistler will not assume responsibility for loss or damage incurred in shipping. Therefore, please ship your unit insured with return receipt requested. **CODs will not be accepted!**

23

LASER/RADAR ALERTS

Alert Priority

When two or more signals are received at the same time, the alert priority is:

1. Laser
2. Speed Radar
3. Safety Warning System

Example: If X band is alerting, then suddenly a laser signal is detected, the laser warning will override the X band alert.

RESET FEATURES

Reset Features

All user features can be reset to factory settings.

- Unplug Power Cord from unit.
- Press and hold Power and Quiet buttons.
- Plug Power Cord into unit.
- Wait for 2 beeps.
- Release Power and Quiet buttons.

Unit is now reset to the following features and settings.

Default factory settings are:

1. Audio to level (5)
2. Displays "H"
3. Auto Quiet Mode OFF
4. SWS™ OFF
5. Dim/Dark Mode to full illumination
6. All Radar Bands ON
7. LED Periscope to Blink
8. POP™ OFF
9. X/K Filter 1
10. Ka Filter 1
11. Laser ON
12. Voice® ON
13. TFSR OFF

17

WARRANTY INFORMATION

2. Include with your unit the following information, clearly printed:
 - Your name and street address (for shipping via UPS), a daytime telephone number and an email address, if applicable.
 - A detailed description of the problem (e.g., "Unit performs self-test but does not respond to radar").
 - A copy of your dated store receipt or bill of sale.
3. Be certain your unit is returned with its serial number. For reference, please write your unit's serial number in the space provided on page 27 of this manual.

Units without serial numbers are not covered under warranty.

Important: To validate that your unit is within the warranty period, make sure you keep a copy of your dated store receipt. You may register your warranty online at www.whistlergroup.com, however, for warranty verification purposes, a copy of your dated store receipt must accompany any unit sent in for warranty work.

Service Out of Warranty

Units will be repaired at 'out of warranty' service rates when:

- The unit's original warranty has expired.
- A dated store receipt is not supplied.
- The unit has been returned without its serial number.
- The unit has been abused, modified, installed improperly, or had its housing removed.

24

TROUBLESHOOTING

Your Whistler detector is expertly engineered and designed to exacting quality standards to provide you with reliable, trouble-free operation. If your unit has been correctly installed following the guidelines in this manual, but is not operating optimally, please refer to the troubleshooting guide below.

PROBLEM: No display or audio.

- Check fuse in Whistler plug; replace if necessary with a 2 amp, 3AG type.
- Check fuse for lighter socket; replace if necessary.
- Make sure lighter socket is clean.

PROBLEM: Unit alarms when vehicle hits bumps.

- Check for loose lighter socket; tighten and clean.
- Check connections at both ends of power cord. Substitute another cord to determine if cord is defective. Return defective cord to the factory.

PROBLEM: Audio alerts are not loud enough.

- Cancel Auto Quiet Mode or City Mode.
- Check audio level setting (see page 8).

If difficulties occur which cannot be solved by information in this Troubleshooting Guide, please call Whistler Customer Service at 1-800-531-0004 or visit our FAQ page at www.whistlergroup.com before returning your unit for service.

18

WARRANTY INFORMATION

The minimum out of warranty service fee for your Whistler detector is \$65.00 (U.S.). If you require out of warranty service, please return your unit as outlined in the section "Service Under Warranty" along with a certified check or money order for \$65.00. Payment may also be made by MasterCard, VISA or American Express; **personal checks are not accepted.**

In the event repairs cannot be covered by the minimum service fee, you will be contacted by a Whistler technical service specialist who will outline options available to you.

If you elect not to have your unit repaired, it will be returned to you along with your certified check or money order.

Important: When returning your unit for service, be certain to include a daytime telephone number and an email address (if applicable).

Customer Service

If you have questions concerning the operation of your Whistler detector, or require service during or after the warranty period, please call Customer Service at:

1-800-531-0004

Representatives are available to answer your questions Monday - Friday from 8:00 a.m. to 5:00 p.m. (CT) or visit the FAQ's at www.whistlergroup.com.

25

CARE AND MAINTENANCE

Care And Maintenance

During the summer months, avoid prolonged exposure to direct sunlight by removing your unit from the dash when your vehicle is parked for an extended period of time. Do not spray water, cleaners, or polishes directly onto the unit. The spray may penetrate through the openings and damage the unit. Also, do not use any abrasive cleaners on the unit's exterior.

ARE DETECTORS LEGAL?

In Most States YES!

Laser-Radar detectors are legal in every state for automobiles and light trucks (under 10,000 lbs.) except Virginia and Washington, D.C., which have local regulations restricting the use of radar receivers in any vehicle.

The Federal Highway Administration (FHWA) passed a nationwide regulation, effective January 1994, which prohibited radar and laser detector use in vehicles over 10,000 lbs.

FCC INFORMATION

FCC ID : HSXWH20

This device complies with part 15 of the FCC Rules. Operation is subject to the following two conditions:

- (1) this device may not cause harmful interference, and
- (2) this device must accept any interference received, including interference that may cause undesired operation.

Important: FCC requirements state that changes or modifications not expressly approved by Whistler could void the user's authority to operate the equipment.

19

SPECIFICATIONS

Laser Wavelength:

905 ± 50 nanometers (nm)

Radar Frequencies:

10.500 - 10.550 GHz (X Band)

24.050 - 24.250 GHz (K Band)

33.400 - 36.000 GHz (Ka Superwideband)

Operating Temperature Range:-10 C to +70 C (14 F to +158 F)

Power Requirements:

Operational 12 to 15 volts DC, 250mA nominal
Vehicle Battery Saver, 30mA nominal.

Patents can be viewed here:

<http://www.whistlergroup.com/pat>

POP™ Mode is a trademark of MPH Industries, Inc.

SWS™ is a trademark of Safety Warning System L.C.

Specifications are subject to change without notice

26

SPEED MONITORING

Radar Facts

A radar gun operates by transmitting radio waves at certain frequencies which reflect off objects and are picked up by the radar gun's receiving section. When a radar beam reflects off a moving target, a measurable frequency shift occurs. The radar unit converts this shift into miles per hour to determine your vehicle's speed. Currently, the FCC (Federal Communications Commission) permits operation of traffic radar guns at X Band (10.500 - 10.550 GHz), K Band (24.050 - 24.250 GHz), and Ka Band (33.400 - 36.000 GHz).

Note: A radar detector will not alarm if an officer is not transmitting on any one of the above radar bands.

POP™ Mode

POP™ Mode is a feature on some radar guns operating on K and Ka bands. When the gun is in POP™ Mode and activated, a brief burst of energy, less than 1/15 of a second, is transmitted and the vehicle's speed is quickly acquired. A detector without POP™ Mode detection capability cannot respond to this brief transmission.

20

ACCESSORIES

These and other accessories can be ordered directly from Whistler by calling **1-800-531-0004** or visiting our online store at www.whistlergroup.com

Order #	Description	Price
202138b	Visor Bracket	\$9.95
202152	Windshield Bracket Kit	\$9.95
206552	Power Cord (5')	\$14.95
206880	Hardwire Kit (10') (for wiring to fuse box)	\$9.95
206666	Modular* Cord Package (includes coiled and straight cords, and power adapter)	\$17.95
202156	Package of 4 Suction Cups	\$2.95
402080	Non Skid Dash Pad	\$6.95
403774	INTELLICORD®	\$27.95

* Modular: Interconnecting pieces cord and plug. Shipping and handling (per order) \$5.00. Prices are subject to change without notice.

write serial number in the space provided

27

SPEED MONITORING

Laser Facts

It's well documented that many radar guns cannot reliably provide the speed of a targeted vehicle that is traveling in a group of vehicles. In contrast, a laser gun can target a specific vehicle out of a line of traffic and determine its speed. The advantage of laser over radar in terms of target identification is the result of the laser gun's narrow beam. A radar gun's transmission can cover more than a four-lane highway at a distance of 1,000 feet, compared with a laser gun's transmission which covers about 3 feet at the same distance. For best protection, keep these points in mind:

- Because the vehicle's license plate or headlights are the laser gun's primary targets, mounting the Whistler detector on the dashboard can improve laser detection at short range.
- Do not follow closely behind any vehicle. If you can't see past a vehicle ahead of you, chances are your detector won't either.
- The receiving range of laser signals will not be the same as radar signals. Laser guns are most often used at short range.

Whistler Laser-Radar detectors receive all current laser guns which operate at a laser wavelength of 905 +/- 50mm including but not limited to the following:

- Ultra Lyte
- LTI 20-20
- LTI TruSpeed® S
- Laser Ally
- Pro Laser™ I III III
- Laser Atlanta' Stealth Mode

21

OWNER'S MANUAL

CR80

HIGH Performance LASER-RADAR DETECTOR

The Whistler Group Corporate Headquarters
1716 SW Commerce Dr. Ste. 8. • Bentonville, AR 72712
Tel 479.273.6012 • Fax 479.273.2927

Customer Return Center
1412 South 1st St. • Rogers, AR 72756
Customer Service Tel 800.531.0004
www.whistlergroup.com

P/N 260042 03A15 © 2015 The Whistler Group, Inc.



WHISTLER



25

Dear Whistler Customer,

If you have questions concerning the operation of this Whistler product please call:

Customer Service
1-800-531-0004

Monday - Friday • 8:00 am - 5:00 pm CT
or visit our website

www.whistlergroup.com

Please keep the receipt in a safe place. You may register your product online at www.whistlergroup.com. For warranty verification purposes, a copy of your dated store receipt must still accompany any unit sent in for warranty work. If the unit is returned without a dated store receipt, an out of warranty service charge applies. Note: Your warranty period begins at the time of purchase. The warranty is validated only by the dated store receipt! Please record the serial number of the unit in the space provided in the warranty section of the manual.

To fully acquaint yourself with the operation of your Whistler detector and to better understand the differences between detecting radar, laser, and safety radar signals, we recommend reading this entire manual or visiting our F.A.Q. page on our website www.whistlergroup.com

Enjoy your Whistler detector and please drive safely.

Sincerely,
The Whistler Group, Inc.

OPERATION

Power On Self Test & Volume

To turn the unit ON or OFF, gently press the center of the Power/Volume button into the side of the unit. Each time your Whistler detector is turned on, an automatic self-test sequence confirms that the speaker and visual displays are functional.

INTELLICORD® Ready

The optional INTELLICORD® power cable allows the user to remotely control Power and Quiet/Auto Quiet functions with the press of a button located on the power cable's plug.

Setting Saver

Setting Saver stores your personalized settings so that when the detector is turned off and then on again, you do not have to re-enter them.

Feature Engaged Confirmation

Each time a button is pressed one beep confirms feature "on", two beeps confirm feature "off"

Audio Level Adjustment

The audio levels can be adjusted high to low or low to high.

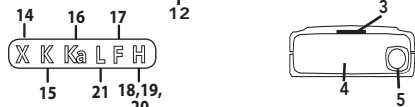
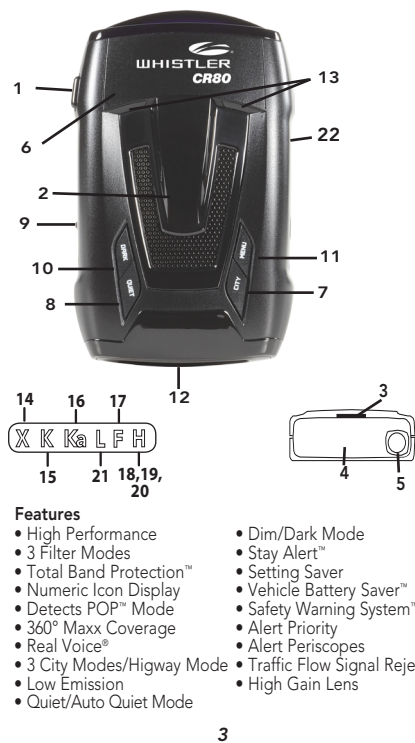
- Rotate Power/Volume button back to increase audio level.

- Rotate Power/Volume button forward to decrease audio level.

As audio level is adjusted, beeps are provided and the display indicates volume level.

Model Features Summary.....	3-5
Installation.....	5-7
• Mounting Guidelines	5
• Windshield Mounting	5-6
• Power Connection	6-7
• Fuse Replacement Kit	7
Operation.....	8-15
• Power On and Self-Test	8
• INTELLICORD® Ready	8
• Setting Saver	8
• Feature Engaged Confirmation	8
• Audio Level Adjustment	8
• Self Test Mute	9
• Quiet Mode	9
• Auto Quiet Mode	9
• Alert Periscopes	10
• City/City 1/ City 2 Mode	10
• Highway Mode	10
• Teach/Tutorial Mode	11
• Dim/Dark Mode	11
• Vehicle Battery Saver Mode	12
• Integrated Real Voice®	12
• X/K Ka Filter Mode	13
• Traffic Flow Signal Rejection (TFSR)	13
• Option Select Mode	14
• Stay Alert Feature	15
• Safety Warning System™	15
POP™ Mode Alerts.....	16
Laser/Radar Alerts.....	16-17
• Speed Radar Audio/Visual Alerts	16
• Laser Audio/Visual Alerts	16
• Pulse Protection®	16
• Alert Priority	17
Reset Features.....	17
Troubleshooting Guide.....	18
Care and Maintenance.....	19
Are Detectors Legal?.....	19
FCC Information.....	20
Speed Monitoring.....	20-22
• Radar Facts	20
• POP™ Mode	20
• Total Band Protection™	21
• Laser Facts	21
• Other Speed Detection Systems	22
Warranty Information.....	22-26
Specifications.....	26
Accessories.....	27

WHISTLER FEATURES



- Features**
- High Performance
 - 3 Filter Modes
 - Total Band Protection™
 - Numeric Icon Display
 - Detects POP™ Mode
 - 360° Maxx Coverage
 - Real Voice®
 - 3 City Modes/Highway Mode
 - Low Emission
 - Quiet/Auto Quiet Mode
 - Dim/Dark Mode
 - Stay Alert™
 - Setting Saver
 - Vehicle Battery Saver™
 - Safety Warning System™
 - Alert Priority
 - Alert Periscopes
 - Traffic Flow Signal Rejection
 - High Gain Lens

FEATURE DESCRIPTIONS

- Bracket Release Button** – Provides quick and easy release of the mounting bracket.
- Speaker** – Provides distinct audio warnings for X, K, Ka band radar, safety warning system and laser.
- Mounting Bracket Location** – Slot holds mounting bracket firmly.
- Radar Antenna** – Compact, high-efficiency antenna receives radar signals.
- Front Laser Antenna** – High gain optical lens provides increased sensitivity and field of view for leading-edge laser detection.
- Rear Laser Antenna** – An integrated optical wave-guide provides superior detection of laser signals transmitted from behind.
- City Button** - Reduces the annoyance of false alerts typically encountered in urban driving areas.
- Quiet Button** - Pressing QUIET before a signal is detected engages Auto Quiet Mode which automatically reduces the audio level after the initial warning to a low audio level setting. Pressing QUIET during a radar/laser encounter silences audio alerts, while allowing visual alerts to keep you informed.
- Power/Volume** - Turns unit on/off and adjusts audio level.
- Dim/Dark Button** - Engages Dim/Dark mode display options.
- Menu Button** - Enters option select mode.
- Numeric Icon Display** - combines icon display with a 7 segment digital display that shows signal strength indication and band identification.
- Alert Periscopes** - Provides an additional attention getting visual alert.
- X-band Icon** - indicates the unit is receiving a X-band signal.

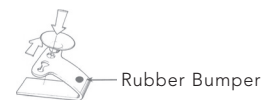
FEATURE DESCRIPTIONS

- K-band Icon** - indicates the unit is receiving a K-band signal.
- Ka-band Icon** - indicates the unit is receiving a Ka-band signal.
- F-Filter Mode Icon** - indicates filter mode.
- H** - indicates unit is in Highway mode.
- C** - indicates that the unit is operating in city mode.
- Signal Strength Icon** - indicates the strength of the signal being detected.
- L** - indicates that the unit is receiving a laser signal.
- Power Jack** - provides connection for the power cord.

INSTALLATION

Mounting Guidelines

- Mount the unit as low as possible near the center of the windshield.
- Do not mount your unit behind wipers, ornaments, mirrored sunscreens, etc. These obstructions have metal surfaces which can affect radar and laser signals and reduce critical warning time. (Regular tinted glass does not affect reception.)
- Some windshields have an Instaclear™ or Electriclear™ type coating, which affects radar signals. Consult your dealer or the vehicle's owner's manual to determine if your windshield has this coating.
- Avoid placing unit in direct contact with wind shield.
- To reduce the possibility of theft, conceal your unit when not in use.



INSTALLATION

Windshield Mounting

- Install the two suction cups and rubber bumper onto the bracket by fitting them into their holes.
- Press the suction cups onto the windshield at the location you have chosen.

Important: Some newer cars have a plastic safety coating on the inside of the windshield. The windshield bracket may leave permanent marks on this type of surface. To find out if your vehicle has this type of windshield, check the vehicle's owner's manual or ask your dealer.

We recommend that you do not leave the suction cup bracket on the windshield in direct sunlight. If the detector is removed, this may cause blistering of the dash in some vehicles.

- Slide the detector onto the bracket until it locks into place.

- If necessary, the unit may be leveled by bending the windshield bracket. Press the bracket release button and remove the detector before bending.



Power Cord Connection

- Plug the small end of the power cord into the unit's power jack.
- Plug the large end into the vehicle's cigarette lighter.

Note: Cord fits tightly into detector. When installing the cord, expect some resistance.

OPERATION

X/K and Ka Filter Modes

There are times when a radar detector in another vehicle, can emit a frequency which can cause your detector to falsely alert. These Filter Modes allow you to select the level needed for your area to minimize the occurrences of these false alerts. X/K and Ka Filter Mode factory default settings should provide adequate filtering for most conditions. If you experience excessive alerts due to radar detectors in other vehicles, increase the Filter level for the band received. See Option Selection Mode to change the filter settings.

Traffic Flow Signal Rejection (TFSR)

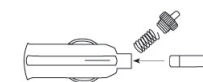
Recently, many new products operate on X or K band causing nuisance alerts to radar detectors. Some of these are radar based Traffic Monitoring Systems mounted to poles alongside the highway and others are K Band Lane Change Assistants and Blind Spot Detectors found on some automobiles. When turned on in option mode, helps eliminate excessive alerts from erroneous X and K-band sources. Traffic flow monitoring systems are getting more common. Many of these systems generate radar signals to measure the flow of traffic across multiple lanes. Most detectors will alert you to it unnecessarily. This rejection feature examines the incoming signal and will aid in reducing the alerts to such sources.

We suggest you turn TFSR on if you are experiencing excessive X or K band false alerts every half mile or so along stretches of roadway that contain these traffic flow sensors.

INSTALLATION

Fuse Replacement

The lighter socket plug is equipped with a replaceable 2 amp, 3AG fuse located behind the silver tip. To replace the fuse, carefully unscrew the tip of the plug.



Important: Unscrew slowly. The tip contains a spring which may fly out when disassembling. Insert the new fuse with the spring and screw on the tip. With use, screw cap on plug may loosen. Retighten occasionally.

Installing the Hardwire Kit

The "U" type connector must be secured to a metal surface that is electrically connected to the battery ground (negative) terminal.

The spade type connector can connect to either live 12 volts or switched 12 volts at your fuse panel accessory port.

If no port is available, cut off the spade terminal, expose 1/4 to 1/2 inch of wire, and splice into a source of 12 volt power.

Fuse Replacement - Hardwire Kit

The inline fuse holder on the power cable is equipped with a replaceable 2 amp, 3AG fuse located inside the fuse holder.

To replace the fuse, carefully twist the holder to open it to gain access to the fuse.

OPERATION

Option Select Mode

Press the Menu button to enter Option Select Mode. Each press of the Menu button changes to the next selectable feature. The Dark (D) button and the Quiet (Q) button turns the feature ON/OFF or Blinking. The decimal point illumination indicates whether a feature is on or off. A button must be pressed within 20 seconds or Option Select Mode will automatically be exited.

Feature	Display	To Change	Option
Laser (default = ON)	L.	D for ON Q for OFF	L. = ON L = OFF
Alert Periscopes (default=Blinking with alert)	.	D or Q to select	ON, OFF BLINKING
X Band (default = ON)	X.	D for ON Q for OFF	X. = ON X = OFF
K Band (default = ON)	K.	D for ON Q for OFF	K. = ON K = OFF
Ka Band (default = ON)	Ka.	D for ON Q for OFF	Ka. = ON Ka = OFF
POP Mode (default = OFF)	P	D for ON Q for OFF	P. = ON P = OFF
SWS (default = OFF)	S	D for ON Q for OFF	S. = ON S = OFF
TFSR (default = OFF)	t	D for ON Q for OFF	t. = ON t = OFF
X/K Filter	X K F 1	D or Q to select	F1 = Filter (Default) F2 = Filter 2 F3 = Filter 3
Ka Filter	Ka F 1	D or Q to select	F1 = Filter (Default) F2 = Filter 2 F3 = Filter 3

NOTE: Press the Power button to exit Option Select Mode.