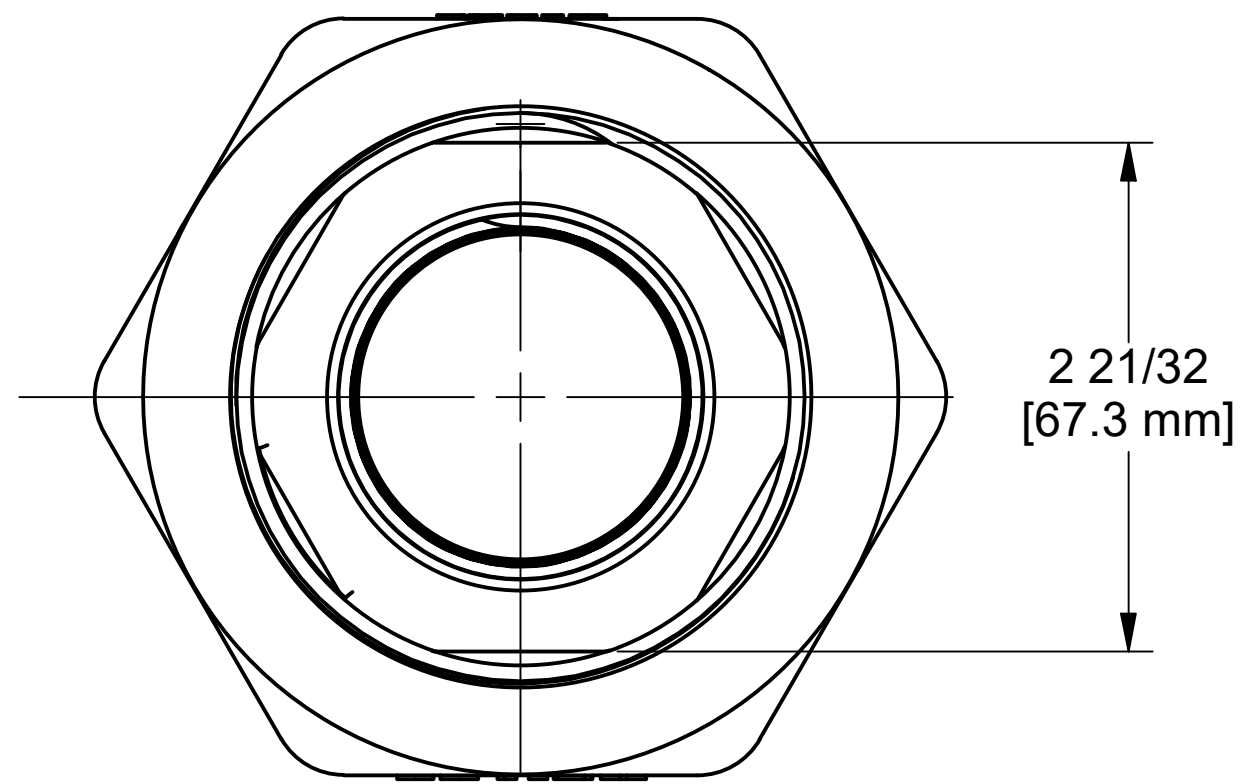
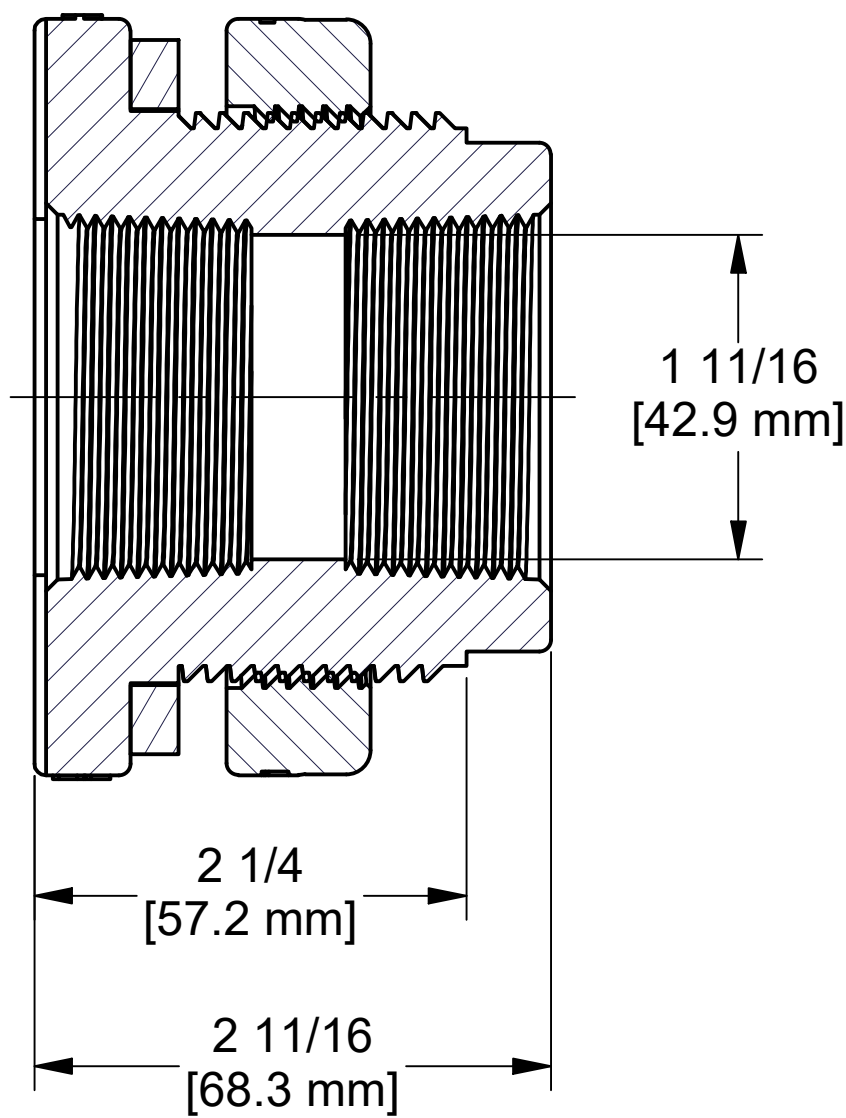
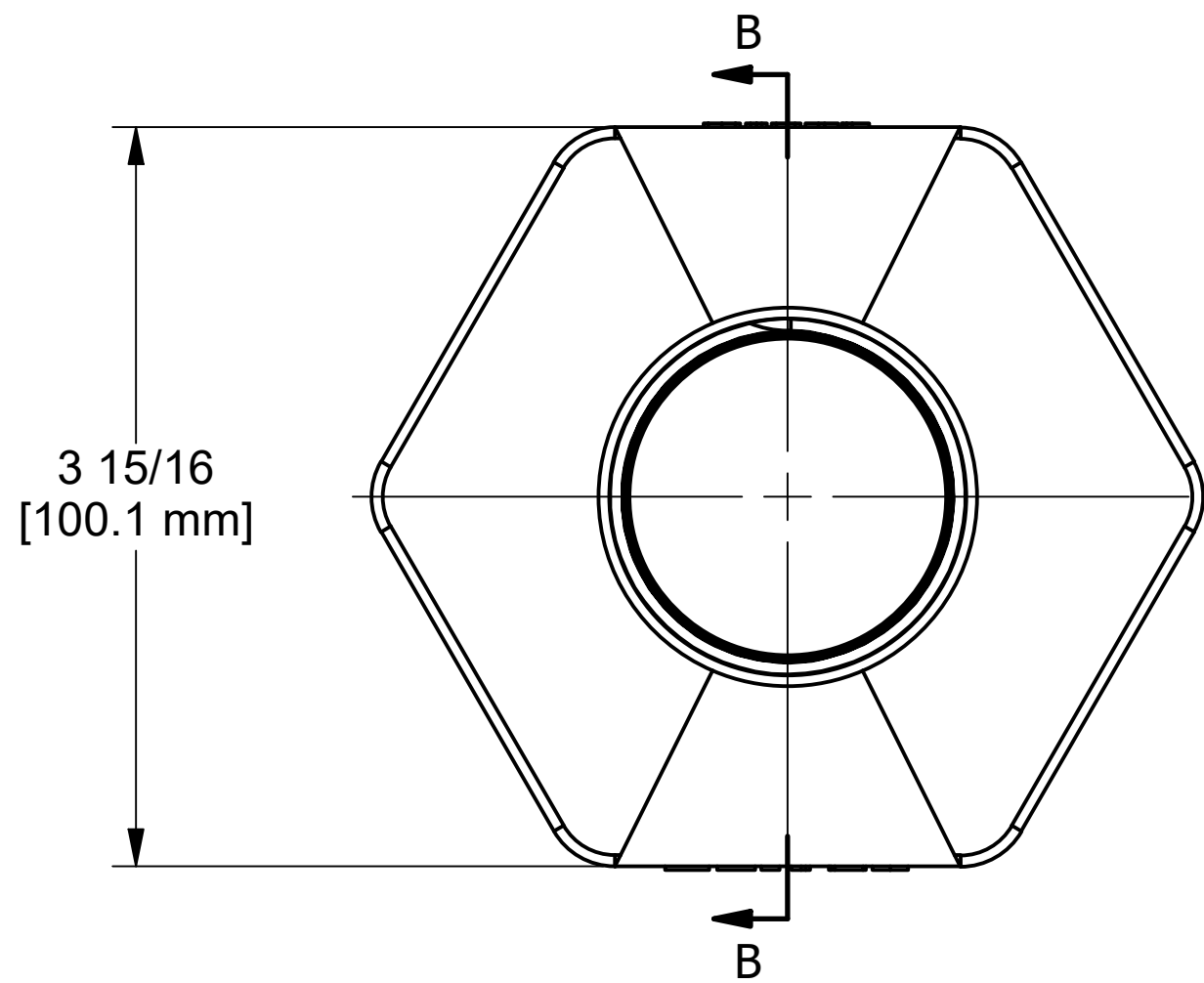
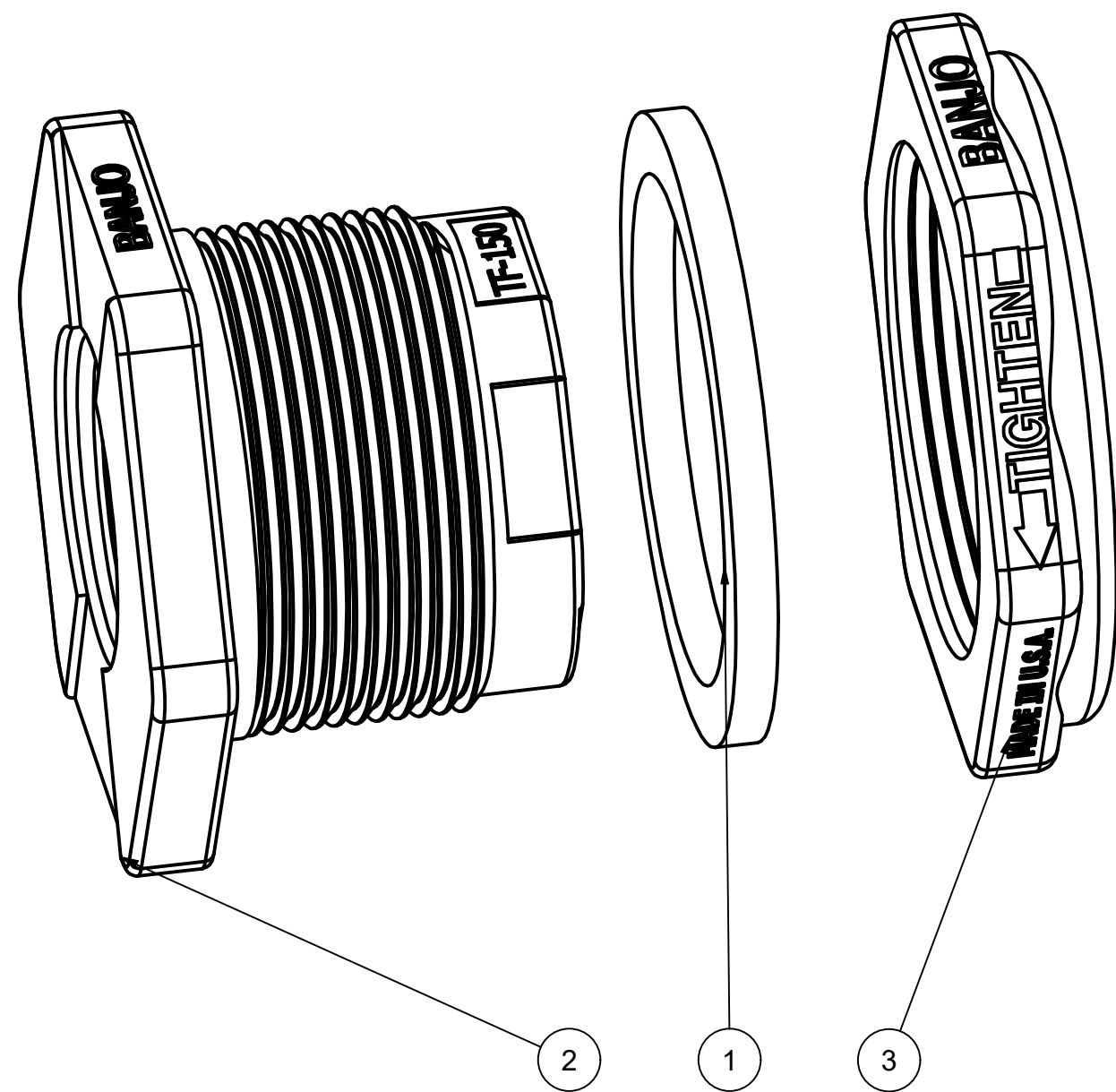


PARTS LIST			
ITEM	QTY	PART NUMBER	DESCRIPTION
1	1	300G	3" COUPLING GASKET, EPDM
2	1	TF151	1 1/2" TANK FLANGE BODY
3	1	TF153	1 1/2" TANK FLANGE NUT, MACHINED



SECTION B-B
SCALE 1 : 1



THIS DRAWING AND ALL INFORMATION CONTAINED THEREON ARE THE EXCLUSIVE PROPERTY OF BANJO CORPORATION.

UNLESS SPECIFICALLY NOTED, THIS DRAWING AND ITEMS SHOWN ON THIS DRAWING ARE SUBJECT TO CHANGE AT ANY TIME.



BANJO
CORPORATION

BANJO CORPORATION
150 BANJO DRIVE, CRAWFORDSVILLE, IN 47933
WEB SITE: WWW.BANJOCORP.COM
E-MAIL: BANJOSALES@IDEXCORP.COM

DESCRIPTION	1-1/2" POLY TANK FLANGE ASSY
PART NUMBER	TF150

