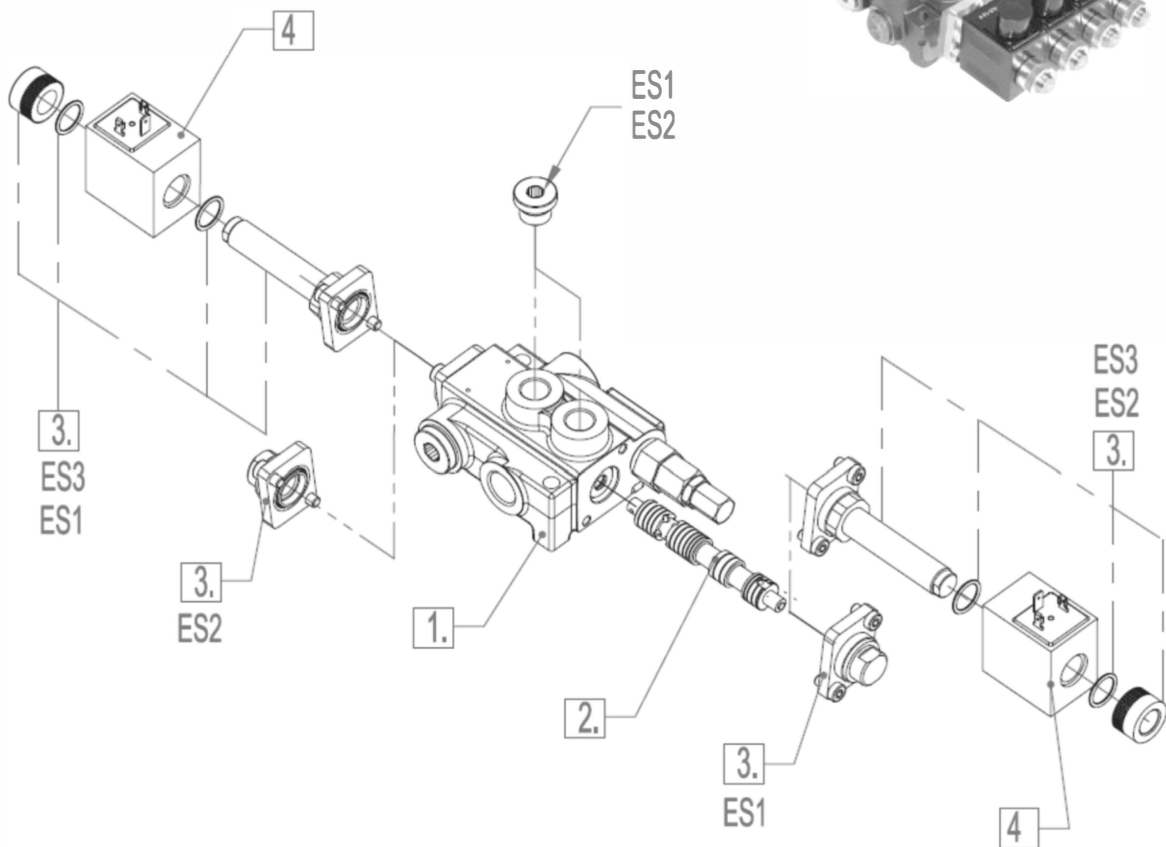


Solenoid direct control with spring return to neutral position.
Needs special spools and special body Z80.

ES...SOLENOID DIRECT CONTROL

ORDERING EXAMPLE

Z80 A ES3 12VDC G
 1 2 3 4 5



1.Body kit

| Type | Description |
|-------|-------------|
| Z80 | 1 spool |
| 02Z80 | 2 spool |
| 03Z80 | 3 spool |
| 04Z80 | 4 spool |
| 05Z80 | 5 spool |
| 06Z80 | 6 spool |

2.Spool options

| Type/Tipi | Description / Tanımı |
|-----------|---|
| A | Double acting, 3 positions with A and B closed in neutral position |
| D | Double acting, 3 positions with A and B open to Tank in neutral position |

3.Control kit

| Type | Description |
|------|--|
| Es1 | Single acting P-A with spring return in neutral position |
| Es2 | Single acting P-B with spring return in neutral position |
| ES3 | Double acting P-(B) with spring return in neutral position |

4.Coils

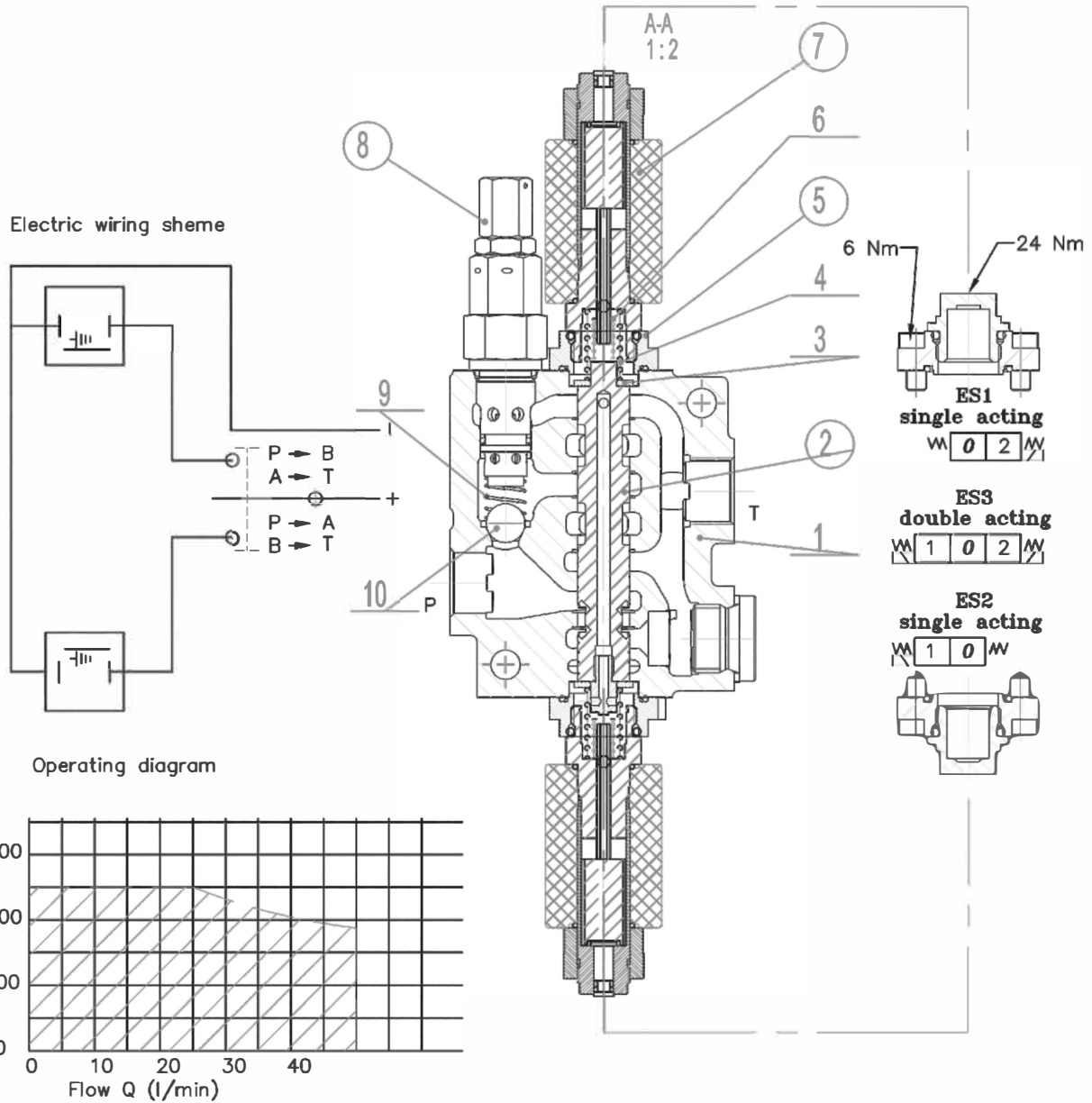
| Type | Description |
|-------|--|
| 12VDC | Nominal voltage 12VDC (with connector ISO 4400) |
| 24VDC | Nominal voltage 24VDC |

5.Threads

| | |
|---|------------------------|
| G | P.T - G1/2; A,B - G1/2 |
|---|------------------------|

Directional control valve Z80

ES ... Solenoid direct control



Operating features

Control

Internal leakage A(B)-T
 (p=100 bar Viscosity 35 cST : max 18 cc/min)

Coil

Nominal voltage tolerance.....±10%
 power rating.....37 W
 Coil insulation.....class H
 Duty cycle100%
 Connector ISO 4400
 Emergency manual override