

Hydraulic rotator

GR46



Recomend with links and swing dampers:

BR1 and BR4



Without brakes

BR10 and BR40

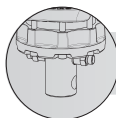


With single brake

2 years waranty



L73mm / PIN Ø25mm



Ø59mm / PIN Ø30mm

45 kN

1100 Nm at 25MPa

25 kN

25 kg

25 MPa

3/8"

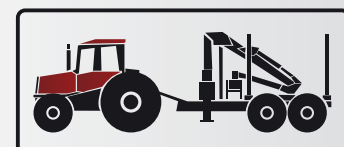
20 MPa

3/8"

30 MPa

3/8"

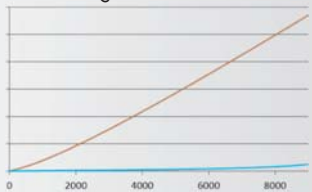
best for:



Since 2015 third quarter all Baltrotors 4t series rotators are performed in new, improved design.

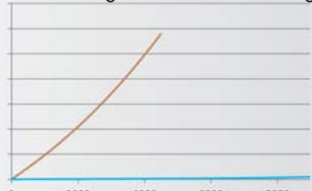
GR46 dimensions mm [inch]

less wearing of the chamber



GR46 (2014 model)
GR46 advanced performance (2015 model)

less wearing of the internal bushing

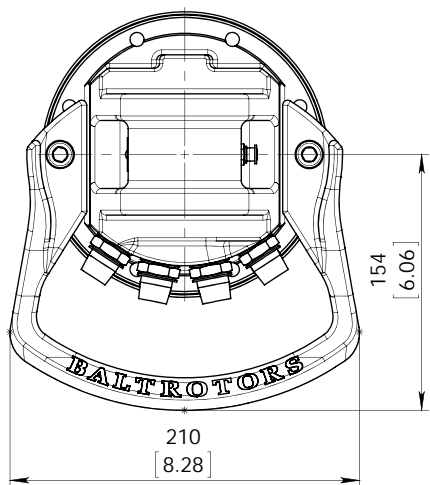
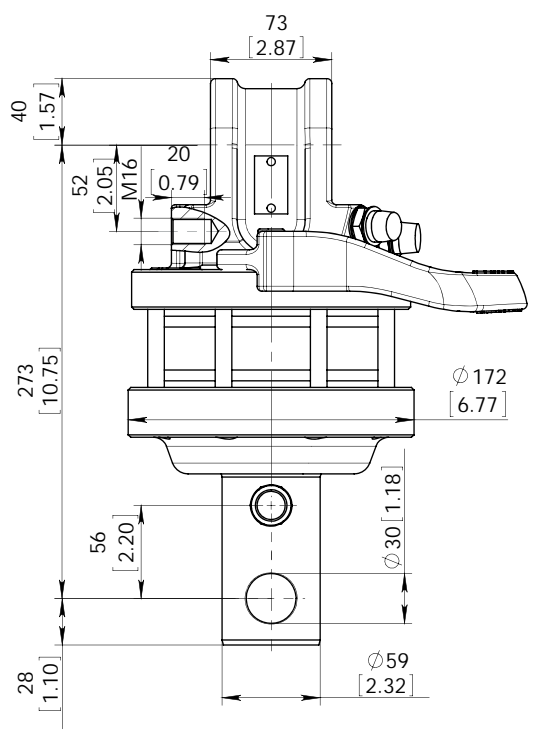
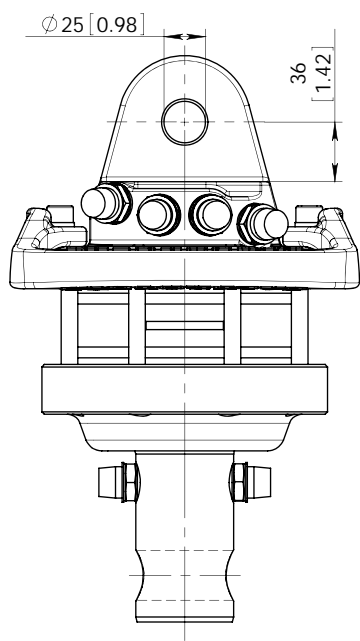


GR46 (2014 model)
GR46 advanced performance (2015 model)

less wearing
less spare parts
by
the same torque
the same quality
for
the same money
is
more durability
more efficiency



GR4series
advanced performance



Technical data

Rotation	Unlimited
Max axial load static, kN (lbf)	45 (10118)
Max axial load dynamic, kN (lbf)	25 (5621)
Torque at 25Mpa (3625psi), Nm (lb ft)	1100 (811)
Rec oilflow, l/min (US gallon)	20 (5.3)
Weight, kg (lb)	25 (55)
Max working pressure:	Connection:
Rotator ←R→	Max 25 MPa (3625 psi) G 3/8
Grapple / Tool open ←G→	Max 20 MPa (2900 psi) G 3/8
Grapple / Tool close →G←	Max 30 MPa (4350 psi) G 3/8