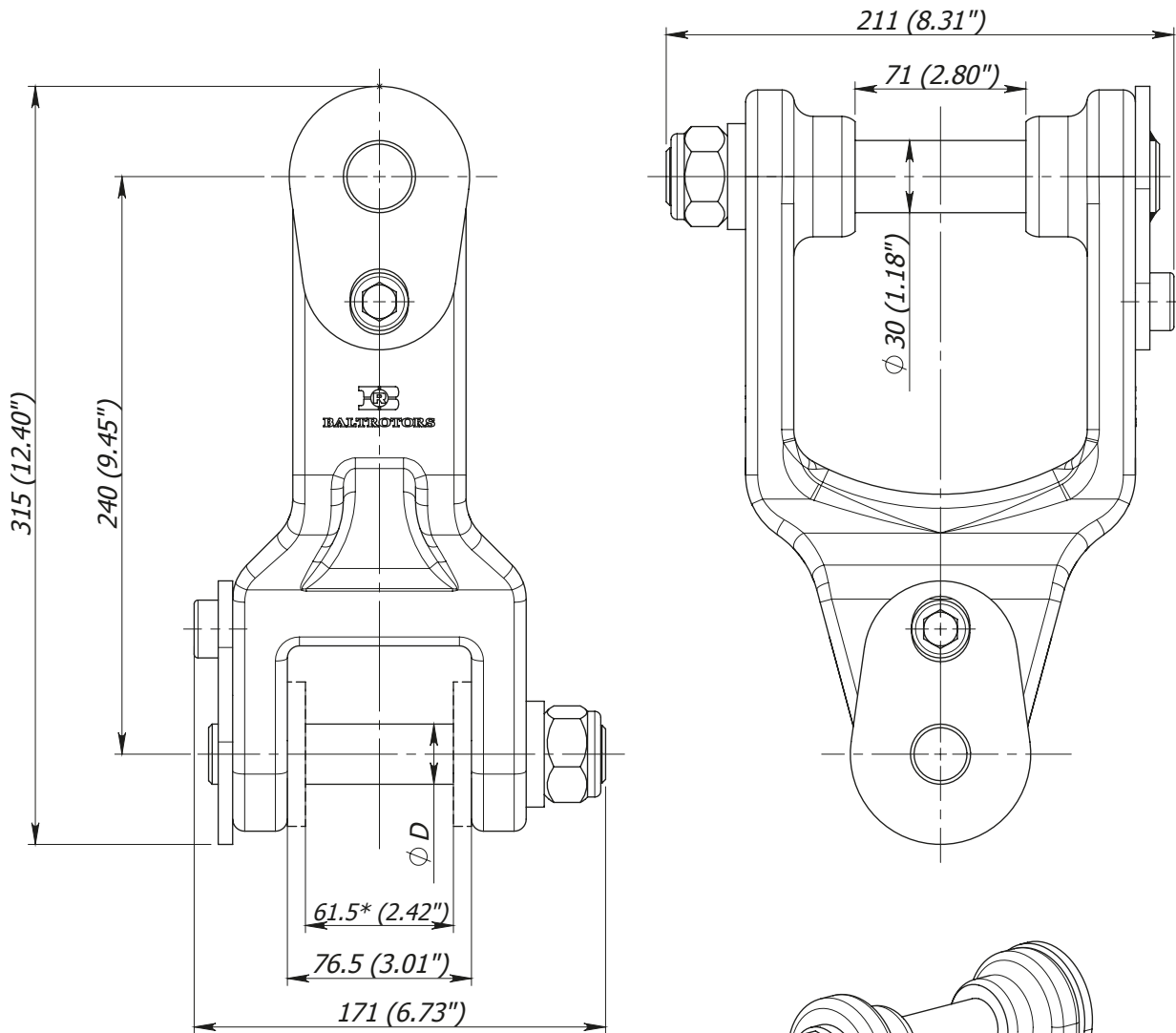
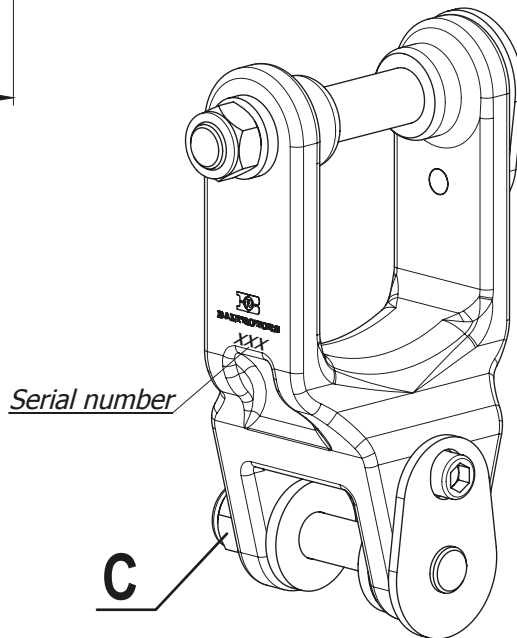


LINK BR4 / BR4-A



* Only by request for rotator GR 30

Link	Pin diameter D (mm)
BR 4	25 (0.98")
BR 4-A	30 (1.18")



Max. Load - 5.5 ton (55 kN)
 Weight - 11.7±0.5 kg (25.8±1.1 lb)
 Pin locking nut (C) has to be tightened with a torque of 120 Nm (89 lb ft).