



Z50 3/8" Solenoid Control Valves

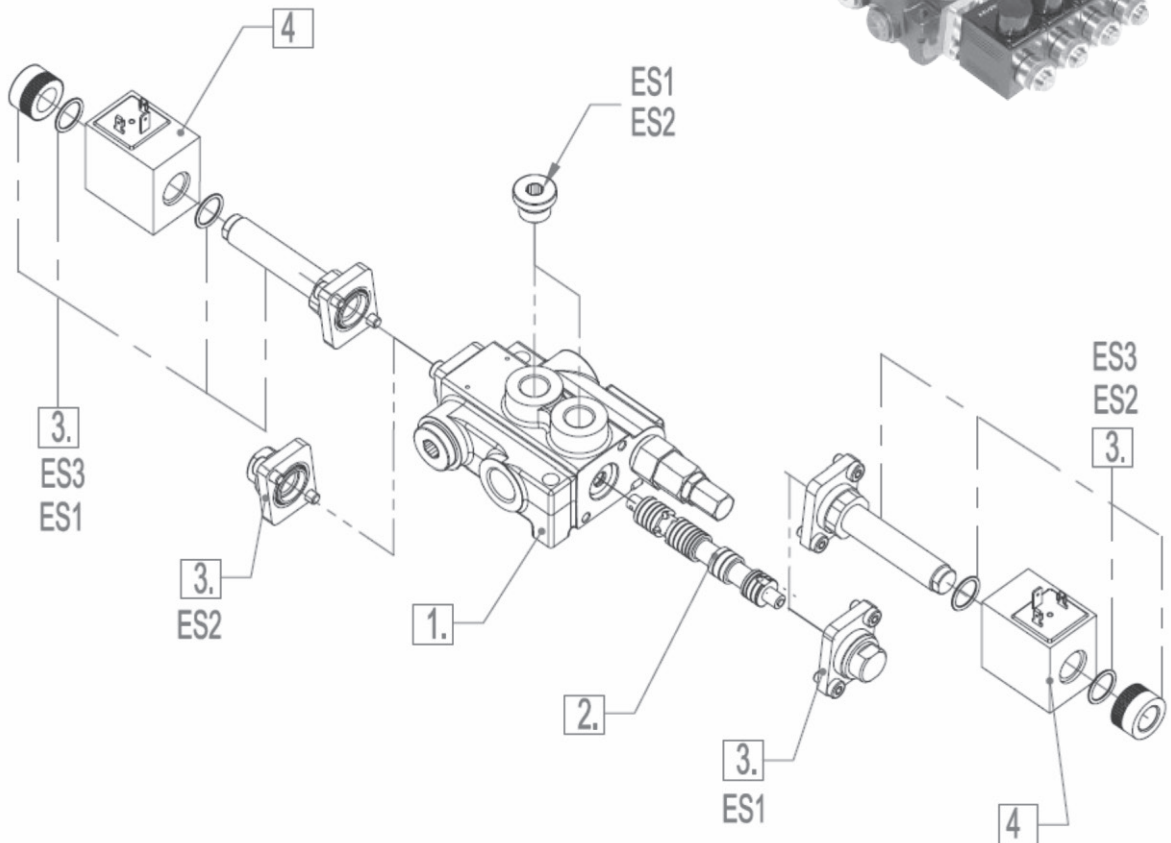
Monoblock direct acting solenoid control valves offer perfect choice whether you are designing a new system or just trying to get more out of your existing system. With up to 6 sections in a mono block housings, these valves can meet the specific needs of your application and hydraulic systems. Fitted with a double acting spool as standard.

Solenoid direct control with spring return to neutral position.

ES...SOLENOID DIRECT CONTROL

ORDERING EXAMPLE

Z50 A ES3 12VDC G
 1 2 3 4 5



1.Body kit

Type	Description
Z50	1 spool
02Z50	2 spool
03Z50	3 spool
04Z50	4 spool
05Z50	5 spool
06Z50	6 spool

2.Spool options

Type	Description
A	Double acting, 3 positions with A and B closed in neutral position
D	Double acting, 3 positions with A and B open to Tank in neutral position

3.Control kit

Type	Description
Es1	Single acting P-A with spring return in neutral position
Es2	Single acting P-B with spring return in neutral position
ES3	Double acting P-(B) with spring return in neutral position

4.Coils

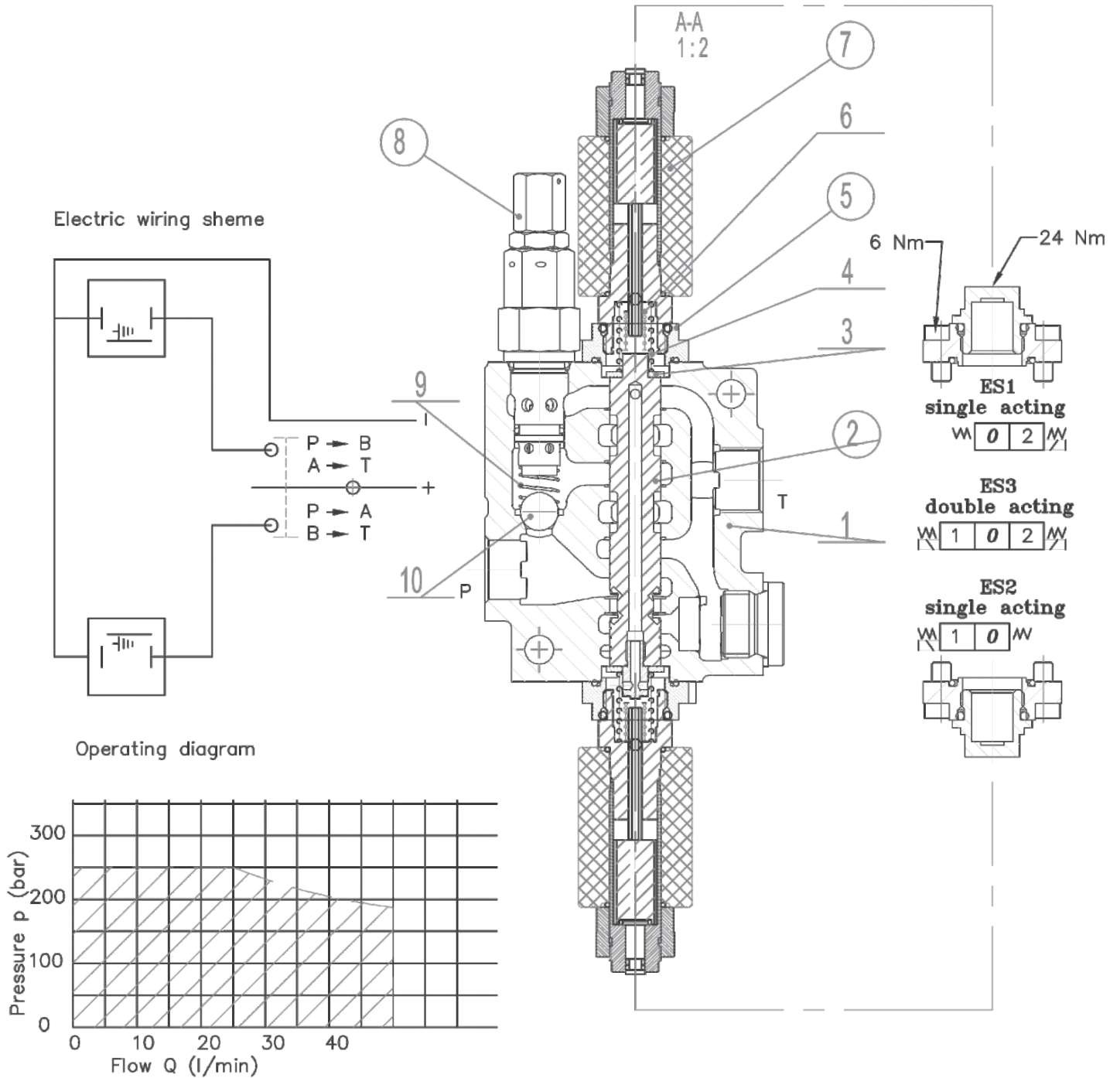
Type	Description
	(with connector ISO 4400)
12VDC	Nominal voltage 12VDC
24VDC	Nominal voltage 24VDC

5.Threads

G	P.T - G1/2; A,B - G3/8
---	------------------------

Directional control valve Z50

ES ... Solenoid direct control



Operating features

Control

Internal leakage A(B)-T
 (p=100 bar Viscosity 35 cST : max 18 cc/min)

Coil

Nominal voltage tolerance..... $\pm 10\%$
 power rating.....37 W
 Coil insulation.....class H
 Duty cycle100%
 Connector ISO 4400
 Emergency manual override