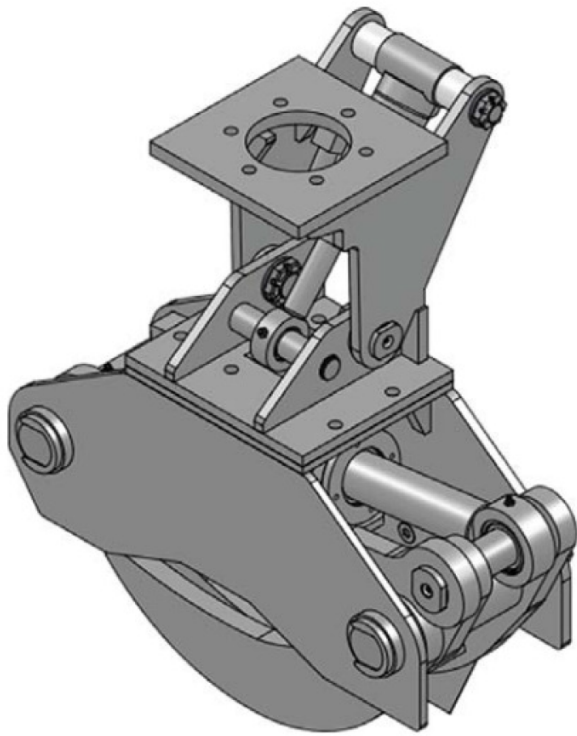
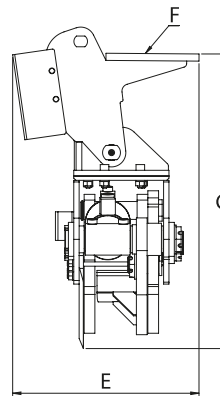
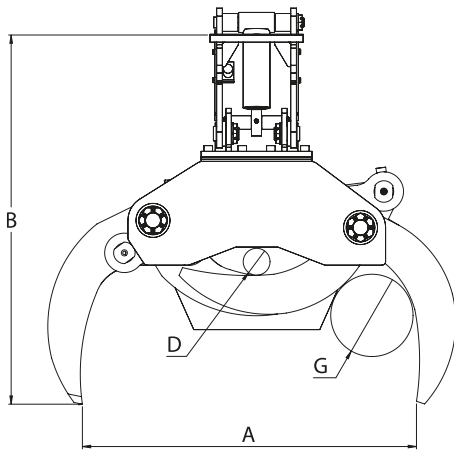


TIGERGRIP | TIGER CUT 200c



KEY FEATURES

- Heavy duty
- Double Parallel Jaws
- High strength welded steel (400 HB)



A	1140
B	987
C	826
D	396
E	208
F	769
G	339

MODEL SPECIFICATIONS



TIGER CUT 200c

225

250

50

53

Unit 15 Vauxhall Industrial Estate, Greg Street
 Reddish
 Stockport
 SK5 7BR
 United Kingdom
 Telephone: 0844 770 7969
 email: sales@approvedhydraulics.co.uk
 web: www.approvedhydraulics.co.uk

