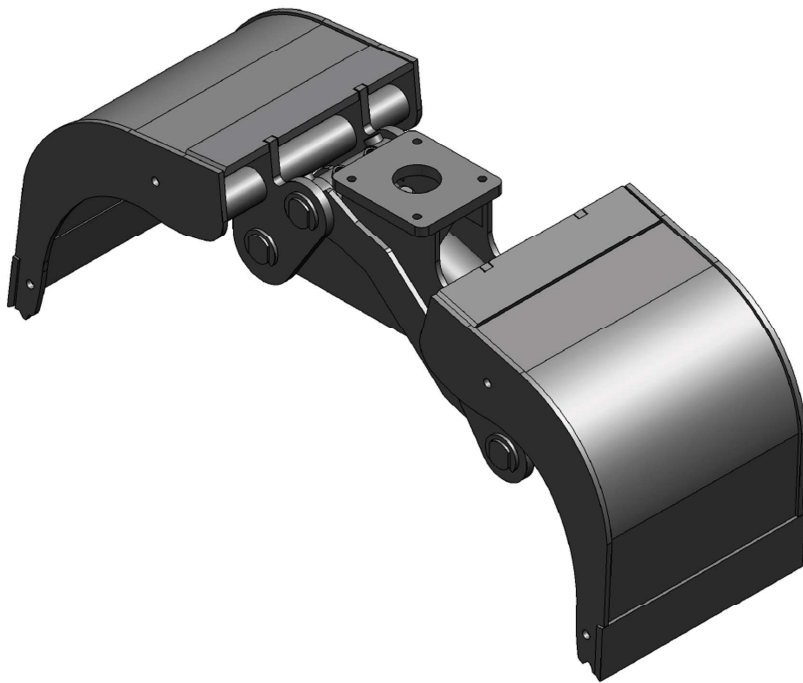
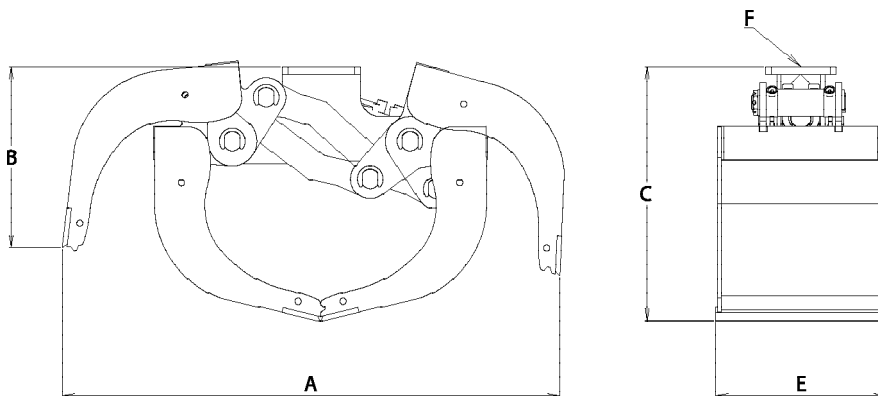


TIGERGRIP | TMC-O 40 - 80



KEY FEATURES

- Double guide bars
- High tensile wear resistant steel cutting edges (500 HB)



	TMC-O 40	TMC-O 50	TMC-O 60	TMC-O 80
A	1270	1270	1270	1270
B	544	544	544	544
C	651	651	651	651
D	-	-	-	-
E	435	535	635	835

MODEL SPECIFICATIONS



MODEL	Kg	Lt	Bar	l/min	kN	ton	tm
TMC-O 40	127	125	200	40	12	1	8
TMC-O 50	137	150	200	40	12	1	8
TMC-O 60	147	175	200	40	12	1	8
TMC-O 80	187	200	200	40	12	1	8



Unit 15 Vauxhall Industrial Estate
 Greg Street, Reddish
 Stockport
 SK5 7BR
 United Kingdom
 Telephone: 0844 770 7969
 Fax: 0844 770 7979
 web: www.approvedhydraulics.co.uk