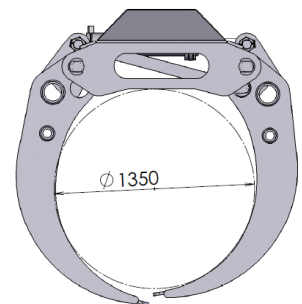
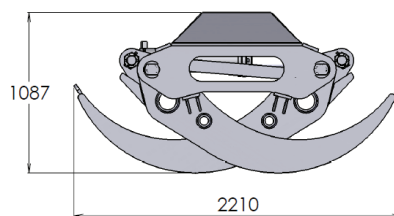
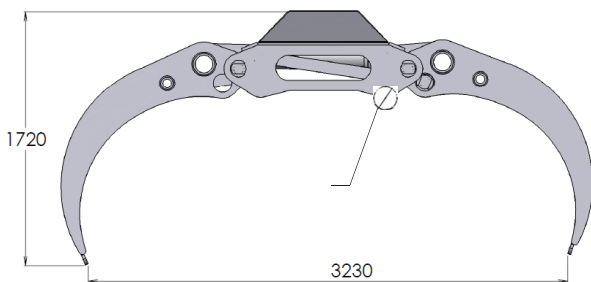


# TIGERGRIP / TG 150 S



## KEY FEATURES

- Heavy duty
- Double guide bars
- Optimized roll in/roll out properties
- High pressure cylinder with double piston rod seals
- High tensile wear resistant steel (400 HB)



## MODEL SPECIFICATIONS



|          |      |     |     |    |    |    |    |    |  |  |  |
|----------|------|-----|-----|----|----|----|----|----|--|--|--|
| TG 150 S | 1600 | 1,5 | 300 | 90 | 35 | 40 | 12 | 40 |  |  |  |
|----------|------|-----|-----|----|----|----|----|----|--|--|--|



Unit 15 Vauxhall Industrial Estate  
 Greg Street, Reddish  
 Stockport  
 SK5 7BR  
 United Kingdom  
 Telephone: 0844 770 7969  
 Fax: 0844 770 7979  
 web: [www.approvedhydraulics.co.uk](http://www.approvedhydraulics.co.uk)