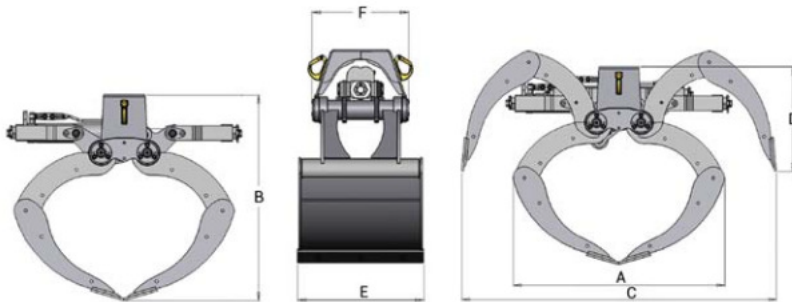


TIGERGRIP | TGO 500 - 1200



KEY FEATURES

- Double guide bars
- High pressure cylinder with double piston rod seals
- Pilot operated check valve
- 2 ton weld-on lifting hooks
- High tensile wear resistant steel cutting edges (500 HB)
- Reversible cutting edges



	TGO 500	TGO 650	TGO 800	TGO 900	TGO 1000	TGO 1200
A	1168	1168	1168	1168	1168	1168
B	1095	1095	1095	1095	1095	1095
C	1739	1739	1739	1739	1739	1739
D	578	578	578	578	578	578
E	500	650	800	900	1000	1200
F	498	498	498	498	498	498

MODEL SPECIFICATIONS



MODEL	Kg	Lt	Bar	l/min	kN	ton	tm
TGO 500	315	200	300	60	25	3	10
TGO 650	340	300	300	60	25	3	12
TGO 800	370	400	300	60	25	3	15
TGO 900	390	450	300	60	25	3	15
TGO 1000	405	500	300	60	25	3	15
TGO 1200	440	600	300	60	25	3	15

Approved
HYDRAULICS

Unit 15 Vauxhall Industrial Estate
Greg Street, Reddish
Stockport
SK5 7BR
United Kingdom
Telephone: 0844 770 7969
Fax: 0844 770 7979
web: www.approvedhydraulics.co.uk