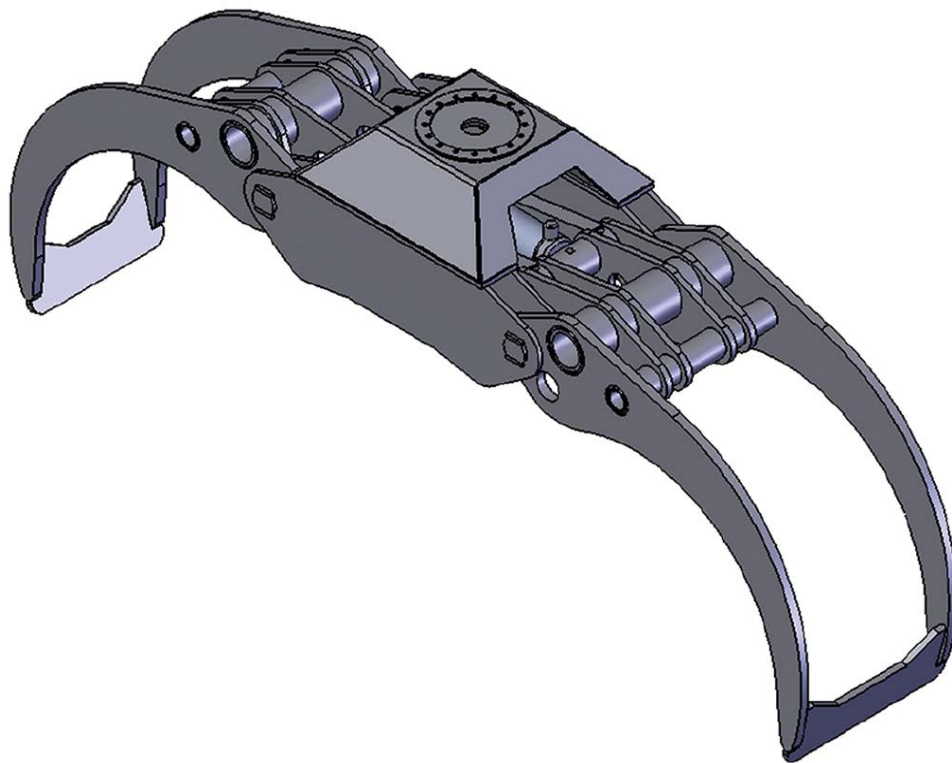
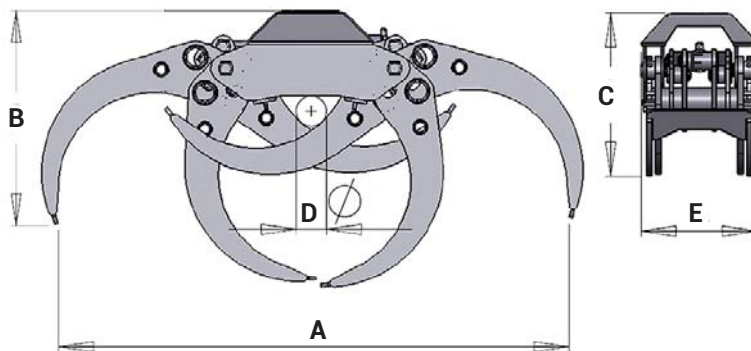


TIGERGRIP | TG 80S



KEY FEATURES

- Heavy duty
- Double guide bars
- Optimized roll in/roll out properties
- High pressure cylinder with double piston rod seals
- High tensile wear resistant steel (400 HB)
- Extra reinforced body for rigid mounting - excavator design



A	2780
B	1176
C	900
D	170
E	632

MODEL SPECIFICATIONS



TG 80S	737	0,80	300	90	22	30	10	25	30			
--------	-----	------	-----	----	----	----	----	----	----	--	--	--



Unit 15 Vauxhall Industrial Estate
 Greg Street, Reddish
 Stockport
 SK5 7BR
 United Kingdom
 Telephone: 0844 770 7969
 Fax: 0844 770 7979
 web: www.approvedhydraulics.co.uk