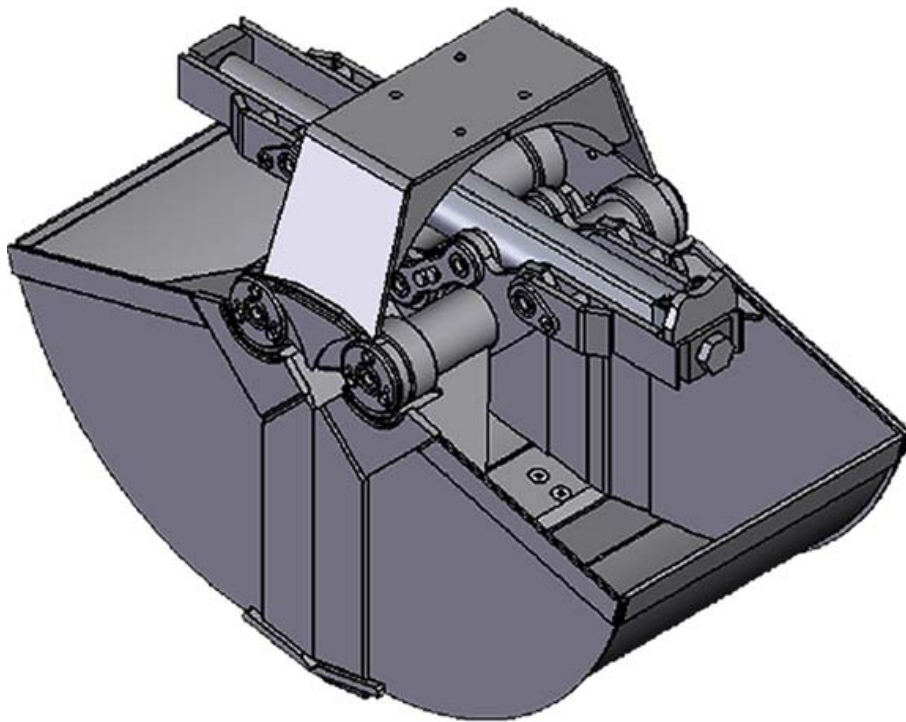
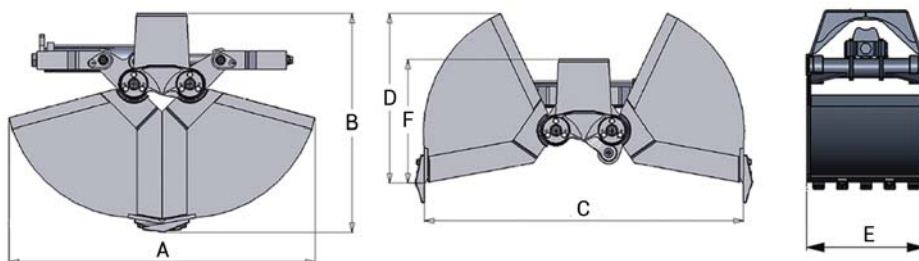


TIGERGRIP | TCB 420L - 800L



KEY FEATURES

- Double guide bars
- High pressure cylinder with double piston rod seals
- High tensile wear resistant steel (400 HB)
- Pilot operated check valve
- High tensile wear resistant steel cutting edges (500 HB)



	TCB 420L	TCB 500L	TCB 650L	TCB 800L
A	1340	1340	1340	1340
B	957	957	957	957
C	1398	1398	1398	1398
D	740	740	740	740
E	420	500	650	800
F	539	539	539	539

MODEL SPECIFICATIONS



MODEL	Kg	Lt	Bar	l/min	kN	ton	tm/min
TCB 420L	220	200	250	50	21	2	8
TCB 500L	240	250	250	50	21	2	10
TCB 650L	260	350	250	50	21	2	12
TCB 800L	295	450	250	50	21	2	15



Unit 15 Vauxhall Industrial Estate
 Greg Street, Reddish
 Stockport
 SK5 7BR
 United Kingdom
 Telephone: 0844 770 7969
 Fax: 0844 770 7979
 web: www.approvedhydraulics.co.uk