

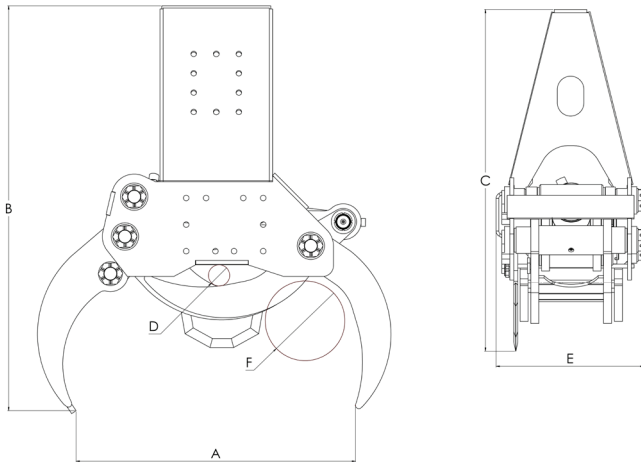
TIGERGRIP | Tree shear

T-Cut 30E - 40E



KEY FEATURES

- Extremely robust tree shear that cuts from both sides
- High tensile wear resistant steel (400 HB)
- Knife in high tensile wear resistant steel (450 HB)
- Extra reinforced body for rigid mounting (excavator design)



	T-Cut 30E	T-Cut 40E
A	1052	1375
B	1522	1790
C	1285	1492
D	80	100
E	557	706
F	300	400

MODEL SPECIFICATIONS



Piston diam.

Cylinder diam.

Blade mm.

T-Cut 30E	505	250	70	88	18	70	125	15
T-Cut 40E	1010	250	100	120	25	90	140	20



Unit 15 Vauxhall Industrial Estate
 Greg Street, Reddish
 Stockport
 SK5 7BR
 United Kingdom
 Telephone: 0844 770 7969
 Fax: 0844 770 7979
 web: www.approvedhydraulics.co.uk