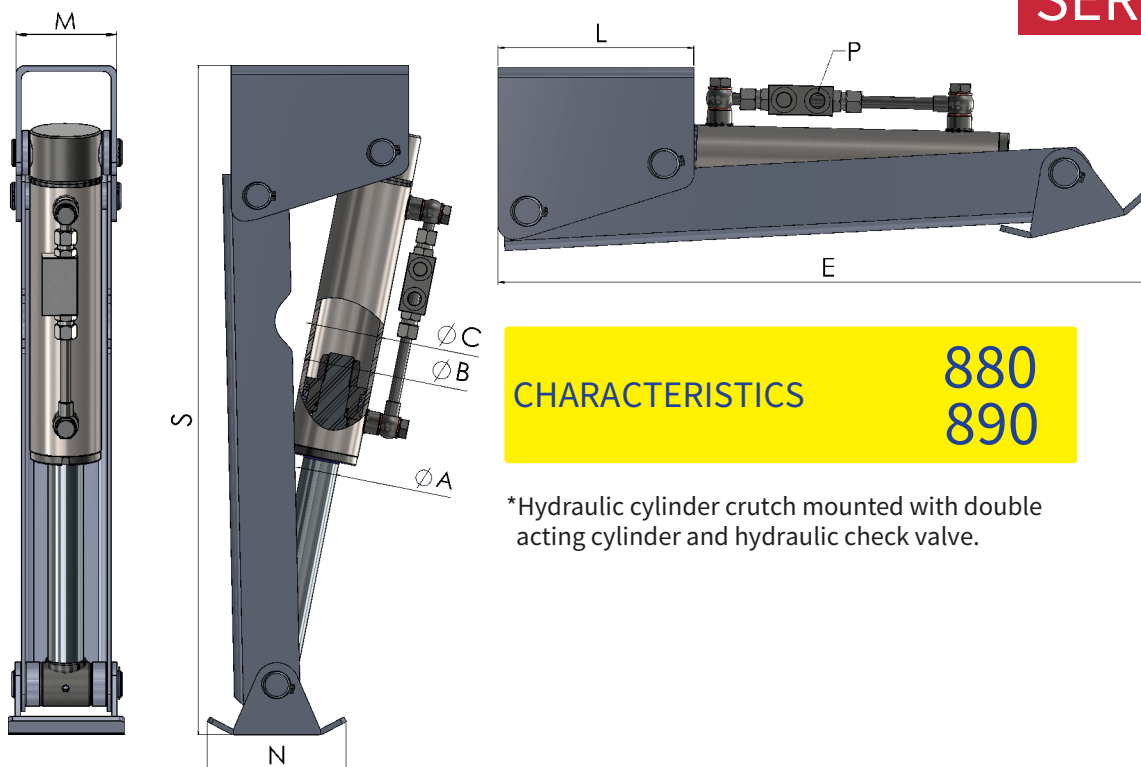


SERIES 880 CRUTCH CYLINDERS

The 880 Series of hydraulic crutch cylinders are versatile and compact, specially designed for supporting applications of agricultural trailers, lifting platforms.

SERIES 880



CHARACTERISTICS

880
890

*Hydraulic cylinder crutch mounted with double acting cylinder and hydraulic check valve.

USE //

*Hydraulic cylinder crutch designed for trailer stabilisation.

Code	ØA	ØB	ØC	Stroke	E	S	P (BSP)	N	L	Tons.	Vol. (lit)	Kgs.
880_020	40	70	80	200	435	665	G3/8	156	200	7	0,77	
890_020	40	80	90	200						10	1,01	

Units in millimeters.

Max . speed 0,5 m/s
 Temperature C° -25°C - +80°C
 Max . pressure 250 bars

HIGH PERFORMANCE