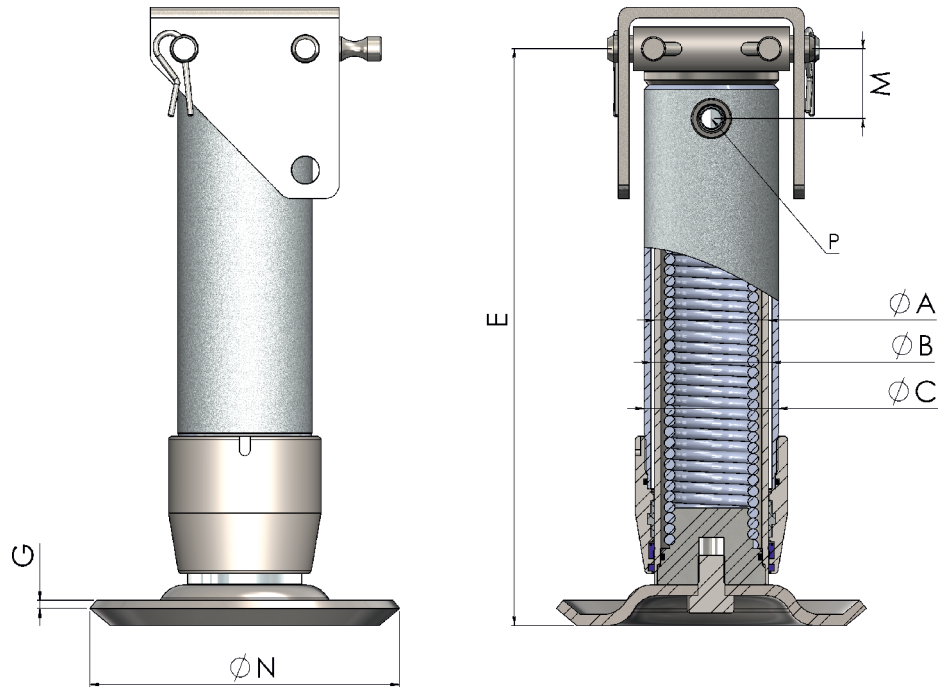


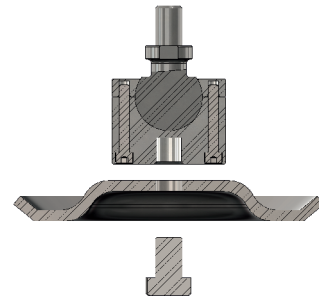
SERIES 800 CRUTCH CYLINDERS

The range of 800 Series hydraulic cylinders are especially for agricultural trailer support applications. With a range between 5 and 10 tons we cover almost all the applications which this type of hydraulic cylinder is used for.

SERIES 800



OPTION



*Oscillating support for better adaptation to the terrain. Example: 801_019B

Includes support.

Code	ØA	ØB	ØC	Stroke	E	P (BSP)	M	ØN	G	Tons.	Vol. (lit)	Kgs.
801_019	65	70	80	190	400	G1/2	54	230	8	5.0	1,20	
802_023	85	90	100	230	430					8.5	1,95	

Units in millimeters.

HIGH PERFORMANCE

Max . speed
Temperature C°
Max . pressure

0,5 m/s.
-25°C - +80°C
250 bars.