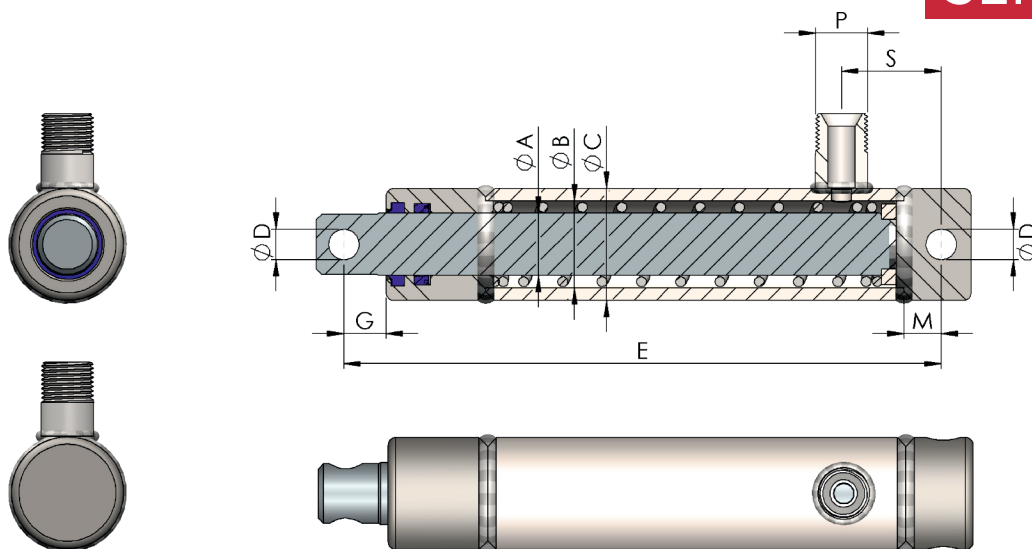


SERIES 700 BRAKE CYLINDERS

Our range of 700 Series brake cylinders covers various types for different loads, primarily intended for the agricultural and mobile sector.

SERIES 700



Code	ØA	ØB	ØC	Stroke	E	P (BSP)	ØD	S	G	M	Vol. (lit)	Kgs.
700_010	25	35	45	100 ±3	240	G1/2	12.25	40	17	15	0,17	0,95

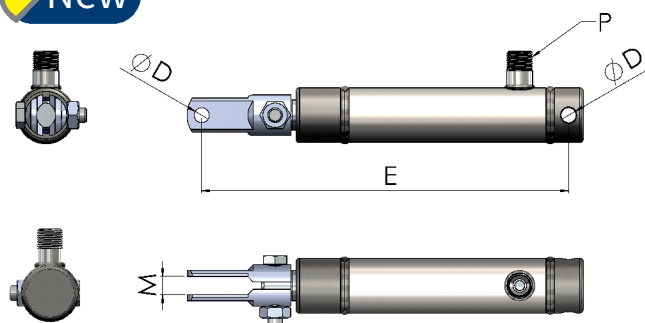
Units in millimeters.

Performance and features :

- * Spring return.
- * Higher Resistance.
- * Seals Polyurethane 93 Shores.
- * Tested 100% .

OPTION

New



Code	P	Stroke	E	ØD	Kgs.
710_010	G1/2	100 ±3	300	12.25	1,10

Units in millimeters.

Max . speed: 0,5 m/s
 Temperature C°: -25°C - +80°C
 Max . pressure: 250 bars