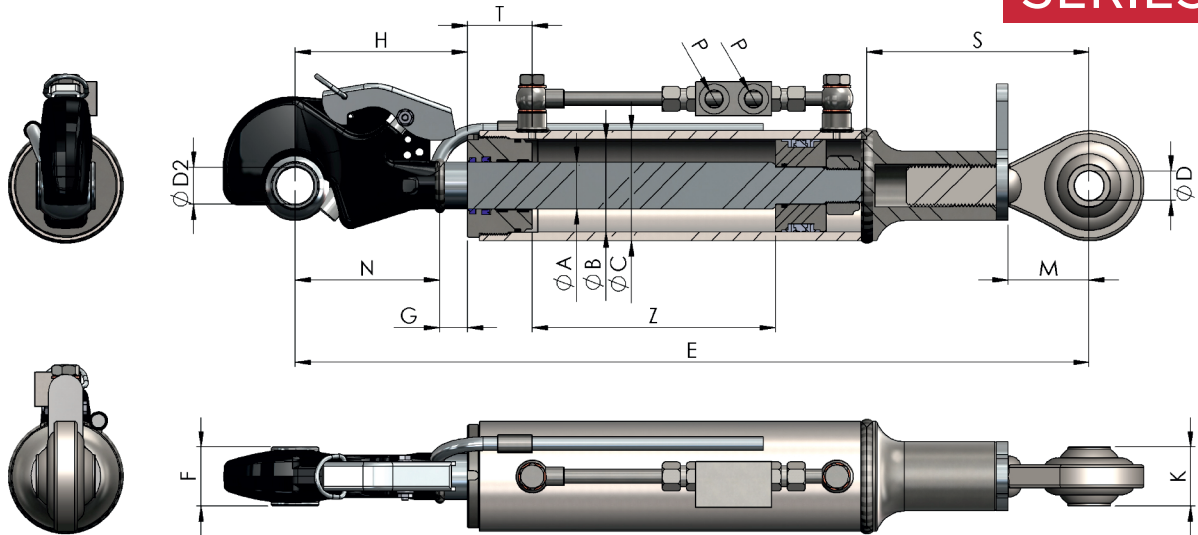


SERIES 640 TOP LINK CYLINDERS

The 640 series of hydraulic top link cylinder is specially designed for medium and large size tractors. To carry out jobs with different lengths from end to end, it has an adjustable rear ball joint. With a single adjustable hydraulic top link, you can work on different tractors just by adjusting the ball joint.

SERIES 640

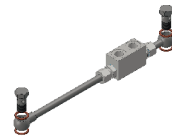


C Code	ØA	ØB	ØC	Z	E	ØD	ØD2	P (BSP)	N	K	S	T	H	G	F	M	Vol. (lit)	Kgs.
640_021	30	50	60	210	600	19.30	19.30	G3/8	105	44	171	43	131	26	44	55	0,41	9,00
640_021C					640	25.40	25.40				211					65		11,20
641_021	35	60	70	210	600	25.40	25.40	G3/8	105	51	171	47	127	22	51	55	0.59	10,50
641_021C					640						211					65		12,70
642_021	40	80	95	210	680	25.40	25.40	G3/8	120	51	216	56	145	25	51	70	1,06	18,70
642_021C					705	32.40					241					65		20,00

Units in millimeters.

OPTIONS

Installing check valve to do your work more safe. (Code M)



Hydraulic hoses 3/8 Quick release couplings G1/2+protections+adaptors) (Code MK)



Ability to change the standard ball joint for articulated yoke. (CodeC)

