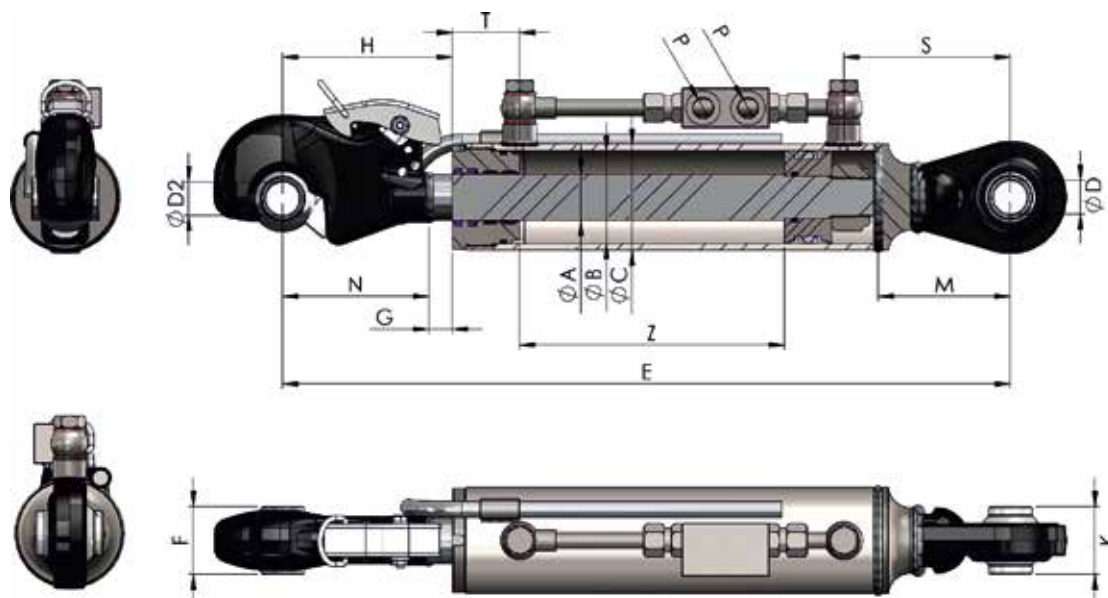


SERIES 630 HYDRAULIC CYLINDERS

This 630 series of hydraulic top link is mounted with a quick hitch and rear ball joint, used on certain medium and large size tractors to carry out demanding jobs. Complete with hoses.

SERIES 630



Code	ØA	ØB	ØC	Z	E	ØD	ØD2	P (BSP)	N	K	S	T	H	G	F	M	Vol. (lit)	Kgs.
630_020	35	60	70	200	550	25.40	25.40	G3/8	105	51	115	47	128	23	51	95	0,57	8,40
250				600	0,71												9,20	
631_020	35	70	80	200	560	25.40	25.40	G3/8	105	51	126	51	133	28	51	100	0,77	10,20
631_025				250	610												0,96	11,05
632_020	40	80	95	200	600	25.40	25.40	G3/8	120	51	126	56	150	30	51	100	1,00	14,90
632_025				250	650	32.40											1,26	16,20
633_020	40	90	105	200	600	25.40	25.40	G3/8	120	51	126	60	146	26	51	100	1,27	16,80
633_025				250	650	32.40											1,59	18,20
634_020	45	100	115	200	600	25.40	25.40	G3/8	120	51	124	66	155	35	51	100	1,57	20,35
634_025				250	650	32.40											1,96	21,95

Units in millimeters.