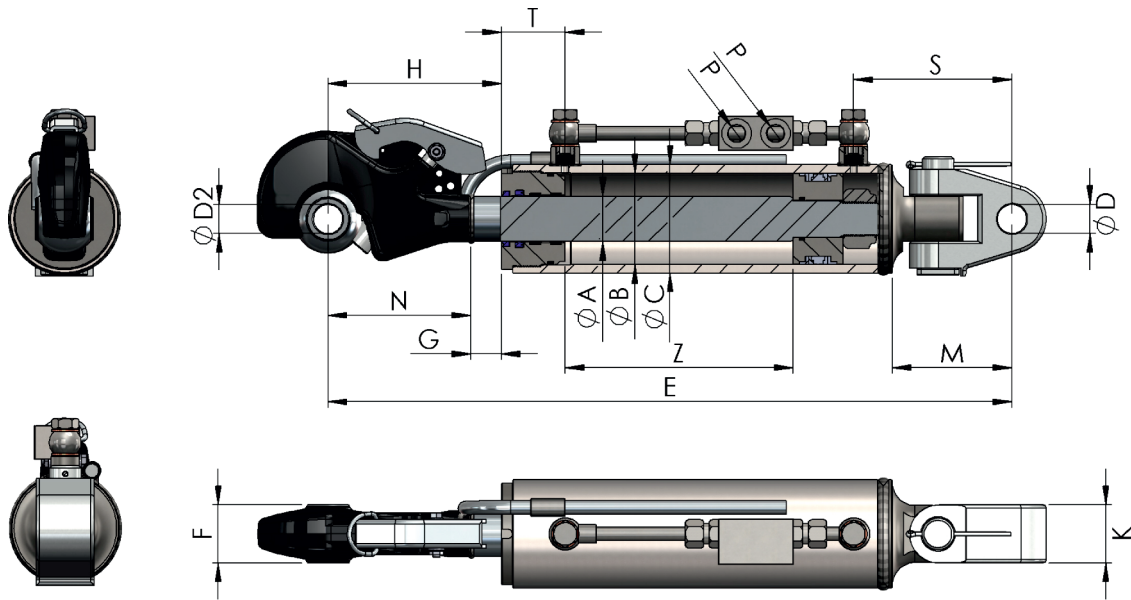


# SERIES 620 HYDRAULIC CYLINDERS

Our top link series is suitable for medium and large tractors. This robust design is capable of carrying all types of demanding jobs. Complete with hoses.

## SERIES 620



Código Code Bestell-Nr.	ØA	ØB	ØC	Z	E	ØD	ØD2	P (BSP)	N	K	S	T	H	G	F	M	Vol. (lit)	Kgs.
620_020	35	60	70	200	550	25.40	25.40	G3/8	105	51	133	47	125	20	51	103	0,57	11,25
620_025				250	600	32.40	32.40										0,71	12,00
621_020	35	70	80	200	560	25.40	25.40	G3/8	105	51	139	51	125	20	51	103	0,77	12,70
621_025				250	610	32.40	32.40										0,96	13,55
622_020	40	80	95	200	600	25.40	25.40	G3/8	120	51	139	56	152	32	51	103	1,00	17,55
622_025				250	650	32.40	32.40										1,26	18,85
623_020	40	90	105	200	600	25.40	25.40	G3/8	120	51	139	60	148	28	51	103	1,27	19,50
623_025				250	650	32.40	32.40										1,59	20,90
624_020	45	100	115	200	600	25.40	25.40	G3/8	120	51	137	66	142	22	51	103	1,57	22,79
624_025				250	650	32.40	32.40										1,96	24,45

Units in millimeters.