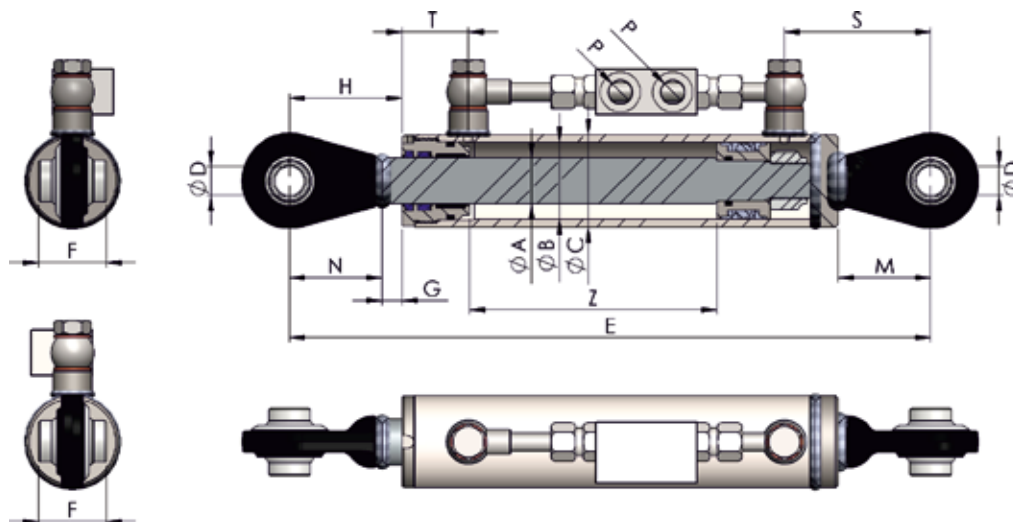


# SERIES 610 HYDRAULIC CYLINDERS

Widely used in small and medium section tractors. Supplied complete with hoses.

## SERIES 610



Code	ØA	ØB	ØC	Z	E	ØD	P (BSP)	N	S	T	H	G	F	M	Vol. (lit)	Kgs.
610_016	30	50	60	160	410	19.30	G3/8	60	95	43	67	7	44	60	0,32	6,50
610_021				210	460										0,41	7,10
610_028				280	530										0,55	8,00
610_040				400	650										0,79	9,50
610_016A	30	50	60	160	430	25.40	G3/8	65	100	43	82	17	51	65	0,32	5,60
610_021A				210	480										0,41	6,20
610_028A				280	550										0,55	7,05
610_040A				400	670										0,79	8,55
611_016	35	60	70	160	440	25.40	G3/8	65	100	47	88	23	51	65	0,45	7,05
611_021				210	490										0,59	7,80
611_028				280	560										0,79	8,90
611_040				400	680										1,13	10,80
612_016	40	80	90	160	460	25.40	G3/8	70	111	56	80	10	51	70	0,81	10,85
612_021				210	510										1,06	11,85
612_028				280	580										1,41	13,25
612_040				400	700										2,01	15,75

Units in millimeters.