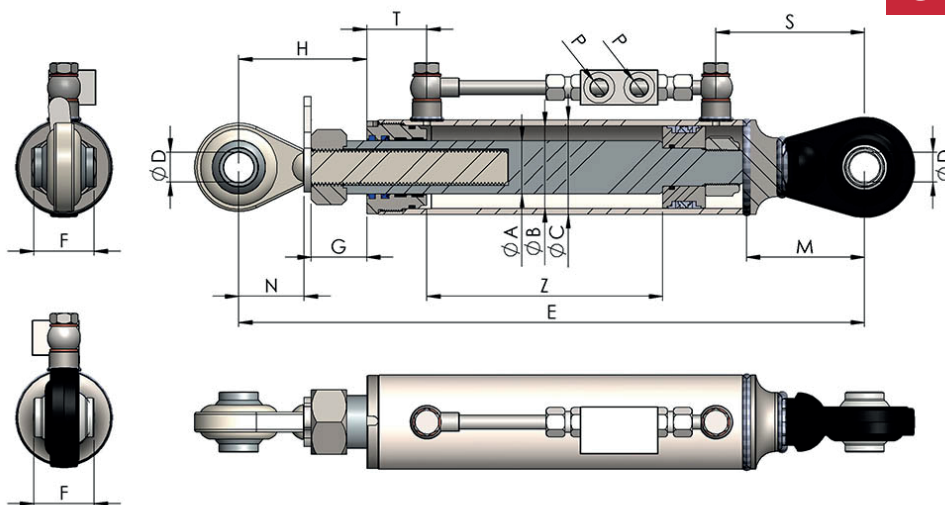


# SERIES 600 TOP LINK CYLINDERS

For a wide variety of tractors and agricultural machinery

## SERIES 600



Code	$\varnothing A$	$\varnothing B$	$\varnothing C$	Z	E	E2	$\varnothing D$	$\varnothing D2$	P (BSP)	N	N2	S	T	H	G	F	M	Vol. (lit)	Kgs.
600_020	40	60	70	200	510		25.40		G3/8	55		115	47	103	42	51	95	0,57	9,40
600_025				250	560													0,71	10,25
600_030				300	610													0,85	11,10
601_020	45	70	80	200	520		25.40		G3/8	55		126	51	98	37	51	100	0,77	11,60
601_025				250	570													0,96	12,70
601_030				300	620													1,16	13,80
600_020E	40	60	70	200		560	19.30 25.40		G3/8		105	115	47	153	42	51	95	0,57	11,45
600_025E				250	610	0,71												12,35	
600_030E				300	660	0,85												13,25	
601_020E	45	70	80	200		570	19.30 25.40		G3/8		105	126	51	148	37	51	100	0,77	13,65
601_025E				250	620	0,96												14,75	
601_030E				300	670	1,16												15,85	

Units in millimeters.

## OPTIONS

Installing check valve to do your work more safe. (Code M)



Hydraulic hoses 3/8 (Quick release couplings G1/2+protections+adaptors). (Code MK)



Ability to change the standard ball joint for rapid hook in the rod. (Code E)

