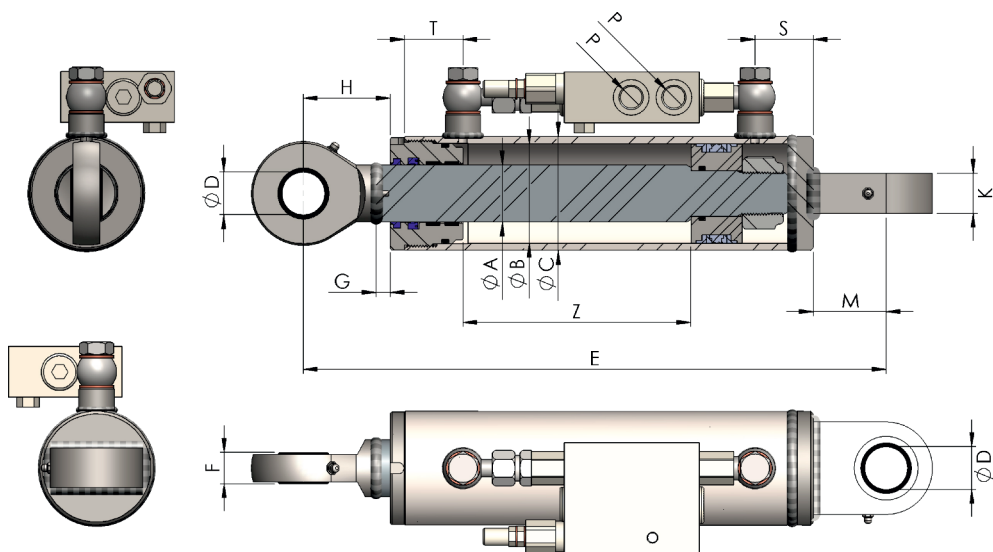


SERIES 590 HYDRAULIC CYLINDERS

Standard turning cylinder 590 series. This cylinder is used to turn the plough discs. Designed with a specific valve to perform the movement automatically thus, turning can be done easily and efficiently.

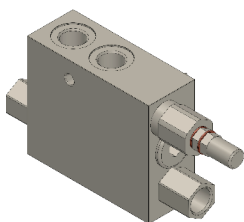
SERIES 590



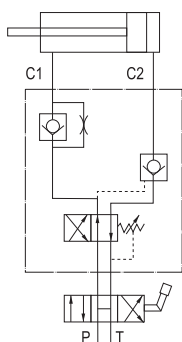
Code	ØA	ØB	ØC	Z	E	ØD	P (BSP)	S	T	G	H	F	K	M	Vol. (lit)	Kgs.
591_016M	30	50	60	160	400	30.00 +0.00 -0.01	G3/8	35	35	15	66	22	28	51	0,31	5,10
592_016M	40	70	80					21	41	31	82				0,62	7,90
593_016M	40	80	90					46	18	69	0,80				9,60	

Units in millimeters.

Hydraulic valve diagram



Turn-over plough valve VSEB03802.



Operation: The cylinders can be mounted on single and double acting circuits. It's equipped with TAC and TPN ball joints for easier mounting.