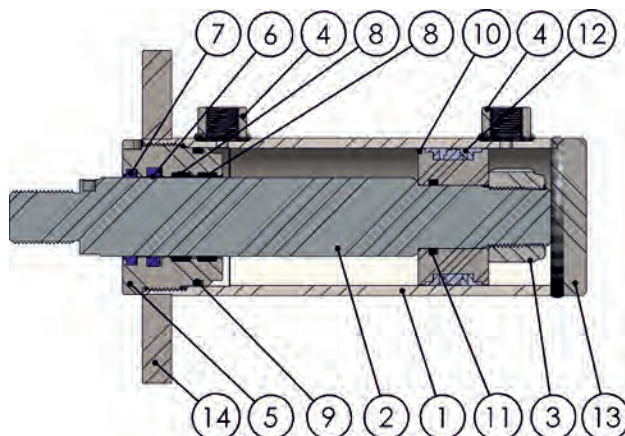


SERIES 500 HYDRAULIC CYLINDERS

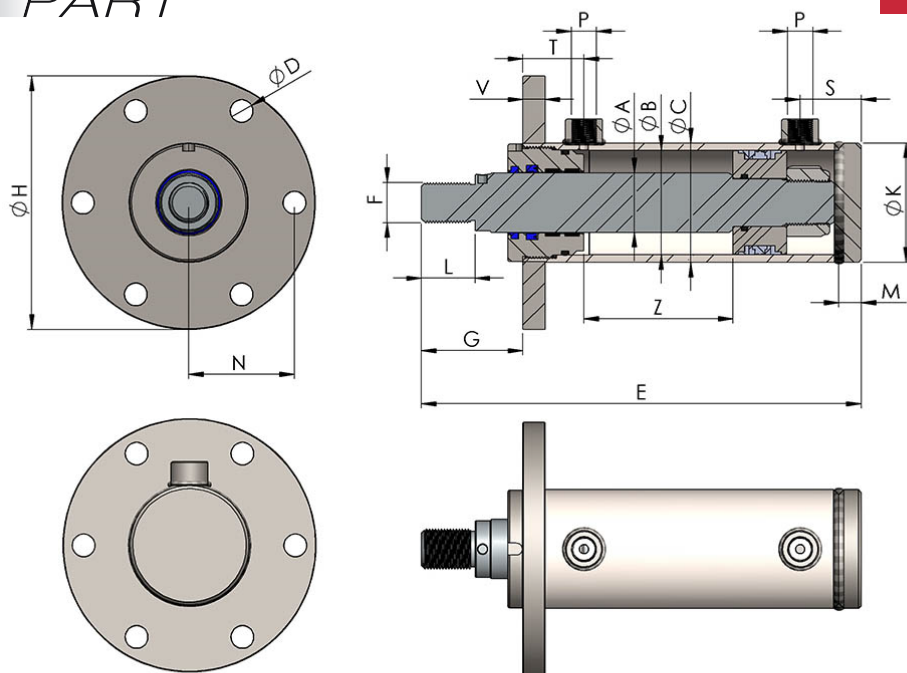
Our flanged cylinder is commonly used in presses or applications where a vertical force must be executed. The standard version has a working pressure up to 200 bar and our high performance version works with pressures of up to 400 bar.

SERIES 500

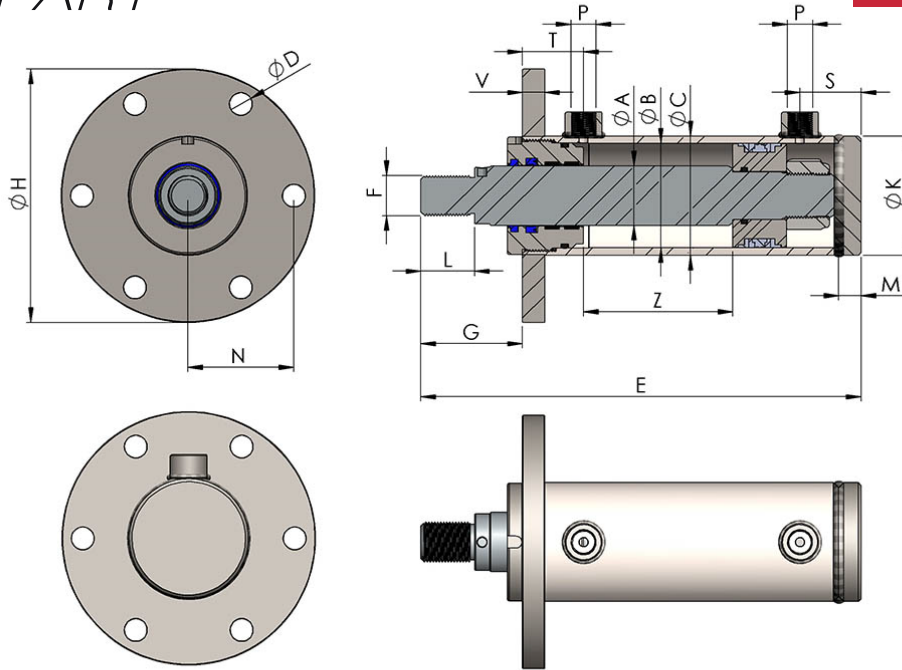


Part No.	Description	Material
1	Cold drawn tube	Steel St52.3 DIN2353 h9
2	Chromed rod	Steel C45 Micr on ±5 Rating 9/120h
3	Lock nut	Grade 8.8
4	Threaded port	Steel St52.3
5	D.A. bush/	Steel St52.3
6	CDL rod seal	Polyurethane 93 shores
7	Wiper	Polyurethane 93 shores
8	guide	Acetal resin
9	O-ring	NBR
10	OTD piston	Steel St52.3
11	O-ring	NBR
12	DAS piston seal	NBR+ POM
13	End plug	Steel St52.3
14	Flange	Steel St52.3

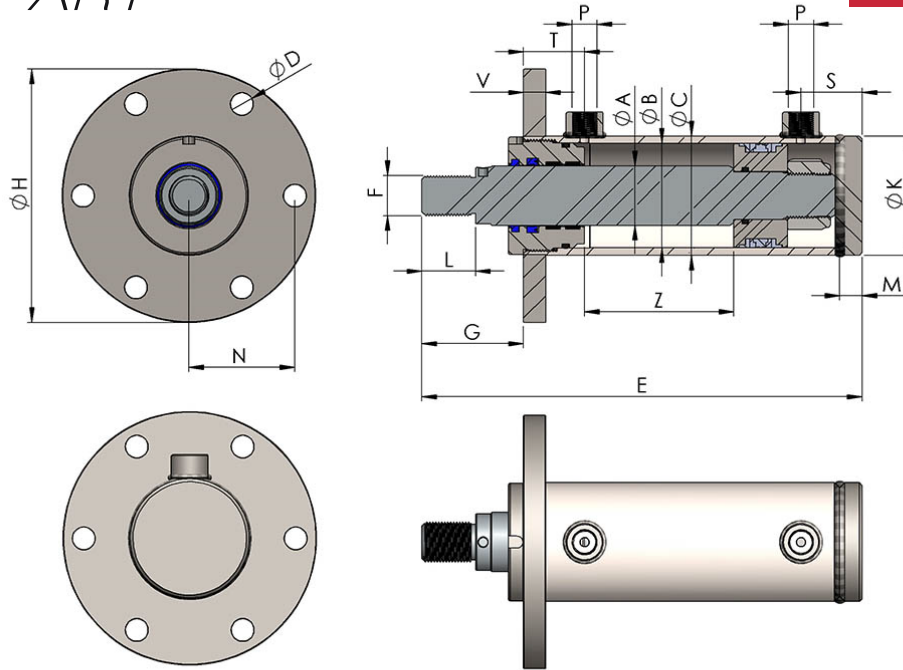
Max speed : 0.5 m/s
 Temperature : -25°C to +80°C
 Max Pressure : 250 Bar



Code	ØA	ØB	ØC	Z	E	ØD	P (BSP)	S	T	N	V	ØH	G	L	F	ØK	M	Seals kit	Vol. (lit)	Kgs.
500_010	20	32	40	100	220	7	G1/4	26	25	33,5	10	80	39	18	M14X1.5	40	10	KJDE032040020	0,08	1,70
500_020				200	320														0,16	2,30
500_030				300	420														0,24	2,90
500_040				400	520														0,32	3,50
500_050				500	620														0,40	4,10
500_060				600	720														0,48	4,70
500_070				700	820														0,56	5,30
501_010	25	40	50	100	255	9	G3/8	31	35	41	12	100	46	22	M16X1.5	50	15	KJDE040050025	0,13	3,10
501_020				200	355														0,25	4,05
501_030				300	455														0,38	5,00
501_040				400	555														0,50	5,95
501_050				500	655														0,63	6,90
501_060				600	755														0,75	7,85
501_070				700	855														0,88	8,80
502_010	30	50	60	100	270	11	G3/8	35	35	51,5	12	125	55	28	M20X1.5	60	15	KJDE050060030	0,20	4,50
502_020				200	370														0,39	5,75
502_030				300	470														0,59	7,00
502_040				400	570														0,79	8,25
502_050				500	670														0,98	9,50
502_060				600	770														1,18	10,75
502_070				700	870														1,37	12,00
503_010	30	60	70	100	280	13	G3/8	35	39	60	12	145	61	36	M20X1.5	70	15	KJDE060070030	0,28	5,80
503_020				200	380														0,57	7,15
503_030				300	480														0,85	8,50
503_040				400	580														1,13	9,85
503_050				500	680														1,41	11,20
503_060				600	780														1,70	12,55
503_070				700	880														1,98	13,90



Code	ØA	ØB	ØC	Z	E	ØD	P (BSP)	S	T	N	V	ØH	G	L	F	ØK	M	Seals kit	Vol. (lit)	Kgs.
504_010	40	70	80	100	295	15	G3/8	41	41	71	15	170	68	36	M27X2.0	80	15	KJDE070080040	0,39	8,65
504_020				200	395														0,77	10,55
504_030				300	495														1,15	12,45
504_040				400	595														1,54	14,35
504_050				500	695														1,92	16,25
504_060				600	795														2,31	18,15
504_070				700	895														2,69	20,05
505_010	40	80	90	100	310	15	G3/8	41	46	71	15	170	70	45	M33X2.0	90	15	KJDE080090040	0,50	10,50
505_020				200	410														1,01	12,50
505_030				300	510														1,51	14,50
505_040				400	610														2,01	16,50
505_050				500	710														2,51	18,50
505_060				600	810														3,01	20,50
505_070				700	910														3,51	22,50
506_010	50	90	100	100	320	17	G3/8	41	50	85	15	202	76	45	M33X2.0	100	15	KJDE090100050	0,64	4,50
506_020				200	420														1,27	5,70
506_030				300	520														1,91	6,90
506_040				400	620														2,54	8,10
506_050				500	720														3,18	9,30
506_060				600	820														3,82	10,50
506_070				700	920														4,45	11,70
507_010	50	100	115	100	340	17	G1/2	44	51	85	24	202	90	56	M42X2.0	115	20	KJDE100115050	0,79	19,70
507_020				200	440														1,57	23,20
507_030				300	540														2,36	26,70
507_040				400	640														3,14	30,20
507_050				500	740														3,93	33,70
507_060				600	840														4,71	37,20
507_070				700	940														5,50	40,70



Code	ØA	ØB	ØC	Z	E	ØD	P (BSP)	S	T	N	V	ØH	G	L	F	ØK	M	Seals kit	Vol. (lit)	Kgs.
508_010	70	120	140	100	370	21	G1/2	50	53	105	30	250	103	63	M48X2.0	140	20	KJDE120140070	1,13	32,90
508_020				200	470														2,26	39,10
508_030				300	570														3,39	45,30
508_040				400	670														4,52	51,50
508_050				500	770														5,65	57,70
508_060				600	870														6,78	63,90
508_070				700	970														7,91	70,10
509_010	80	130	150	100	410	21	G3/4	50	60	115	30	280	121	85	M64X2.0	150	20	KJDE130150080	1,33	43,15
509_020				200	510														2,65	50,50
509_030				300	610														3,98	57,85
509_040				400	710														5,31	65,20
509_050				500	810														6,63	72,55
509_060				600	910														7,96	79,90
509_070				700	1010														9,29	87,25

Units in millimeters.