

SERIE 4

For tractors 35-55 hp

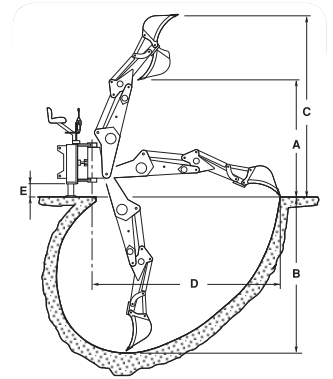
BACKHOES



4.21/TI 1200

4.21/TI 1400

Gardening - Wine growing - Horticulture and green maintenance



Serie 4	4.21
A (mm)	1.650
B (mm)	2.200
C (mm)	2.625
D (mm)	2.580
E (mm)	260

ARM MOWER

TRACTOR

Model	Digging depth (mm)	Rotation angle	Moving frame width (mm)	Weight (kg)	Oil tank (L)	Standard bucket (mm)	Tooth tearing resistance (kg)	Digging force with auxiliary boom (kg)
4.21/TI 1.200	2.200	180°	1.200	375	22	300 (25 l)	2.200	1.000
4.21/TI 1.400	2.200	180°	1.400	410	22	300 (25 l)	2.200	1.000

TECHNICAL FEATURES AND STANDARD EQUIPMENT

Backhoe with moving frame with hydraulic locking, applicable to the three-point hitch of the hydraulic boom.

180° central rotation by 1 cylinder (patented).

Independent hydraulic stabilisers with block valves.

Independent system with 27 cm³/rev., pump, multiplier, 59-lt built-in tank, oil strainer and hydraulic oil.

Element distributor with 60 lt/1' flow rate, control levers and built-in shock-absorbing anti-cavitation valves.

Flow rate 15 l/min.

Max working pressure: 190 bar.

Standard bucket: 300 mm.

Boom locking tensioners.

Joints with pins and bushes of case-hardened and tempered steel.

Chrome-plated double-liner cylinder rods.

Sanding and polyester powder coating.

ACCESSORIES ON REQUEST

- Installation 1: ditch cleaning titling buckets 45°.
- Installation 2: hydraulic mulcher (installation 1 included). Pag. 76
- Hydraulic mulcher 800 mm T1 80 REV. Pag. 76
- Remote control on the cab. Pag. 75
- Skid steer loader application. Pag. 75
- Hitch coupler for articulated backhoe-loader, backhoe loader, telescopic.

BUCKET	DITCH CLEANING BUCKET	45° TITLING BUCKET	TRAPEZOIDAL BUCKET
250 mm	800 mm	800 mm	670 mm
300 mm	1000 mm	1000 mm	
400 mm	1200 mm	1200 mm	
500 mm			
600 mm			

