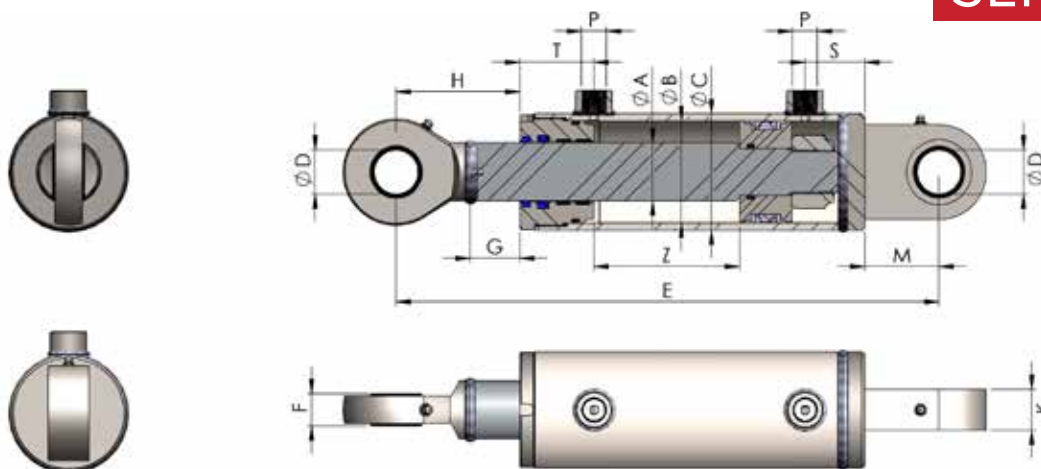


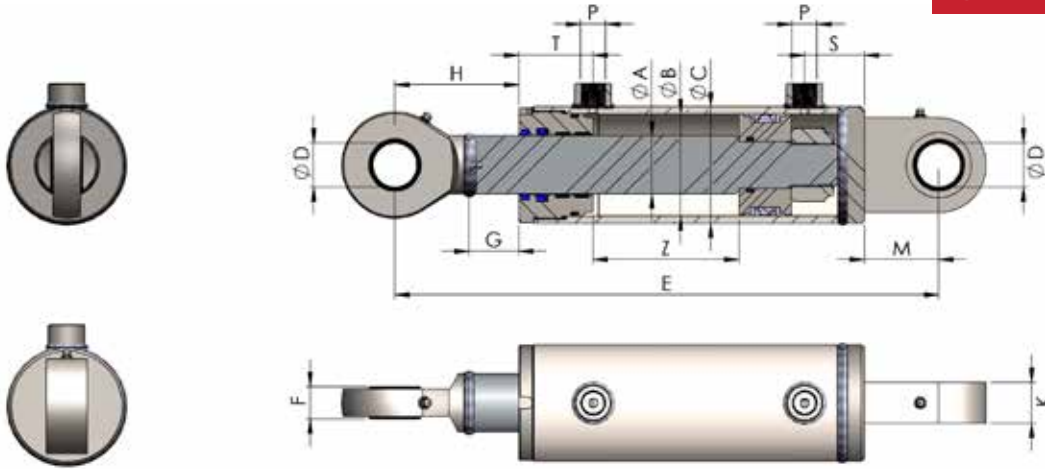
Part No.	Description	Material
1	Cold drawn tube	Steel St52.3 DIN2353 h9
2	Chromed rod	Steel C45 Micr on ±5 Rating 9/120h
3	Lock nut	Grade 8.8
4	Threaded port	Steel St52.3
5	D.A. bush	Steel St52.3
6	CDL rod seal	Polyurethane 93 shores
7	Wiper	Polyurethane 93 shores
8	guide	Acetal resin
9	O-ring	NBR
10	OTD piston	Acero - Steel - Stahl St52.3
11	O-ring	NBR
12	DAS piston seal	NBR+ POM
13	End plug	Steel St52.3
14	TAC ball joint	Steel St52.3
15	TPN ball joint	Steel St52.3

Max speed : 0.5 m/s
 Temperature : -25°C to +80°C
 Max Pressure : 250 Bar



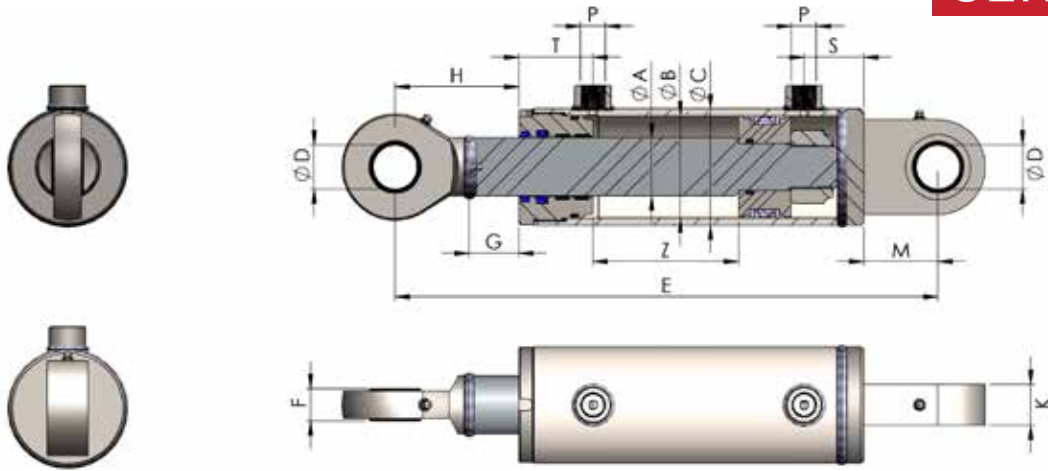
Code	ØA	ØB	ØC	Z	E	ØD	P (BSP)	S	T	G	H	F	K	M	Seals kit	Vol. (lit)	Kgs.
401_010	25	40	50	100	300	20.00 +0.00 -0.01	G3/8	29	43	7	45	16	19	38	KJDE040050025	0,13	2,65
401_020				200	400											0,25	3,55
401_030				300	500											0,38	4,45
401_040				400	600											0,50	5,35
401_050				500	700											0,63	6,25
401_060				600	800											0,75	7,15
401_070				700	900											0,88	8,05
402_010	30	50	60	100	330	25.00 +0.00 -0.01	G3/8	35	43	17	62	20	23	45	KJDE050060030	0,20	3,75
402_020				200	430											0,39	4,95
402_030				300	530											0,59	6,15
402_040				400	630											0,79	7,35
402_050				500	730											0,98	8,55
402_060				600	830											1,18	9,75
402_070				700	930											1,37	10,95
403_010	30	60	70	100	330	25.00 +0.00 -0.01	G3/8	35	47	13	58	20	23	45	KJDE060070030	0,28	4,70
403_020				200	430											0,57	6,05
403_030				300	530											0,85	7,40
403_040				400	630											1,13	8,75
403_050				500	730											1,41	10,10
403_060				600	830											1,70	11,45
403_070				700	930											1,98	12,80

Units in milimeters.



Code	ØA	ØB	ØC	Z	E	ØD	P (BSP)	S	T	G	H	F	K	M	Seals kit	Vol. (lit)	Kgs.
404_010	40	70	80	100	360	30.00 +0.00 -0.01	G3/8	41	51	21	72	22	28	51	KJDE070080040	0,39	6,75
404_020				200	460											0,77	8,65
404_030				300	560											1,15	10,55
404_040				400	660											1,54	12,45
404_050				500	760											1,92	14,35
404_060				600	860											2,31	16,25
404_070				700	960											2,69	18,15
405_010	40	80	90	100	360	30.00 +0.00 -0.01	G3/8	41	56	8	59	22	28	51	KJDE080090040	0,50	8,40
405_020				200	460											1,01	10,45
405_030				300	560											1,51	12,50
405_040				400	660											2,01	14,55
405_050				500	760											2,51	16,60
405_060				600	860											3,01	18,65
405_070				700	960											3,51	20,70
406_010	50	90	100	100	410	40.00 +0.00 -0.01	G3/8	41	60	18	87	28	35	69	KJDE090100050	0,64	11,15
406_020				200	510											1,27	13,90
406_030				300	610											1,91	16,60
406_040				400	710											2,54	19,30
406_050				500	810											3,18	22,00
406_060				600	910											3,82	24,70
406_070				700	1010											4,45	27,40
407_010	50	100	115	100	410	40.00 +0.00 -0.01	G1/2	44	66	7	76	28	35	69	KJDE100115050	0,79	15,65
407_020				200	510											1,57	19,15
407_030				300	610											2,36	22,65
407_040				400	710											3,14	26,15
407_050				500	810											3,93	29,65
407_060				600	910											4,71	33,15
407_070				700	1010											5,50	36,65

Units in millimeters.



Code	ØA	ØB	ØC	Z	E	ØD	P (BSP)	S	T	G	H	F	K	M	Seals kit	Vol. (lit)	Kgs.
408_010	70	120	140	100	480	50.00 +0.00 -0.01	G1/2	50	68	22	110	35	40	88	KJDEI20140070	1,13	25,50
408_020				200	580											2,26	31,70
408_030				300	680											3,39	37,90
408_040				400	780											4,52	44,10
408_050				500	880											5,65	50,30
408_060				600	980											6,78	56,50
408_070				700	1080											7,91	62,70
409_010	80	130	150	100	500	50.00 +0.00 -0.01	G3/4	50	75	20	108	35	40	88	KJDEI30150080	1,33	32,15
409_020				200	600											2,65	39,50
409_030				300	700											3,98	46,85
409_040				400	800											5,31	54,20
409_050				500	900											6,63	61,55
409_060				600	1000											7,96	68,90
409_070				700	1100											9,29	76,25

Units in milimeters.

OPTION

Installing check valve.

