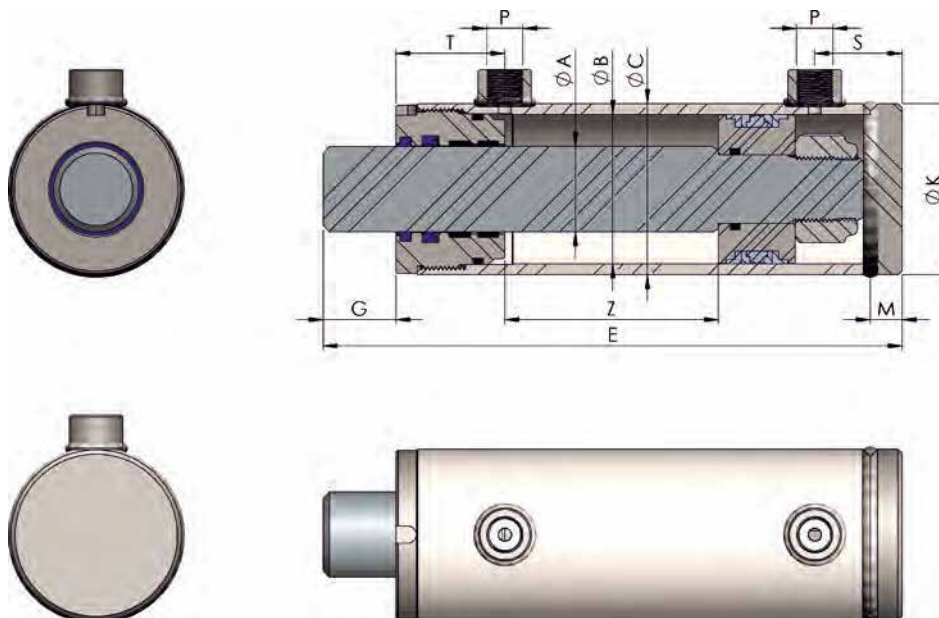
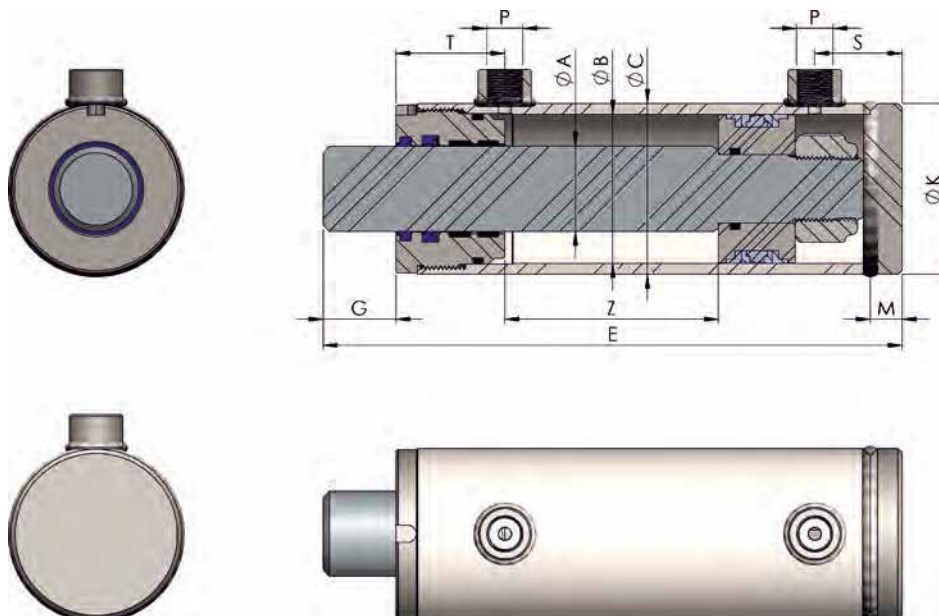


Part No.	Description	Material
1	Cold drawn tube	Steel St52.3 DIN2353 h9
2	Chromed rod	Steel C45 Micron ±5 Rating 9/120h
3	Lock nut	Grado - Grade - Material 8.8
4	Threaded port	Steel St52.3
5	D.A. bush	Steel St52.3
6	CDL rod seal	Polyurethane 93 shores
7	Wiper	Polyurethane 93 shores
8	guide	Resina acetal - Acetal resine - Polyacetal
9	O-ring	NBR
10	OTD piston	Steel St52.3
11	O-ring	NBR
12	DAS piston seal	NBR + POM
13	End plug	Steel St52.3

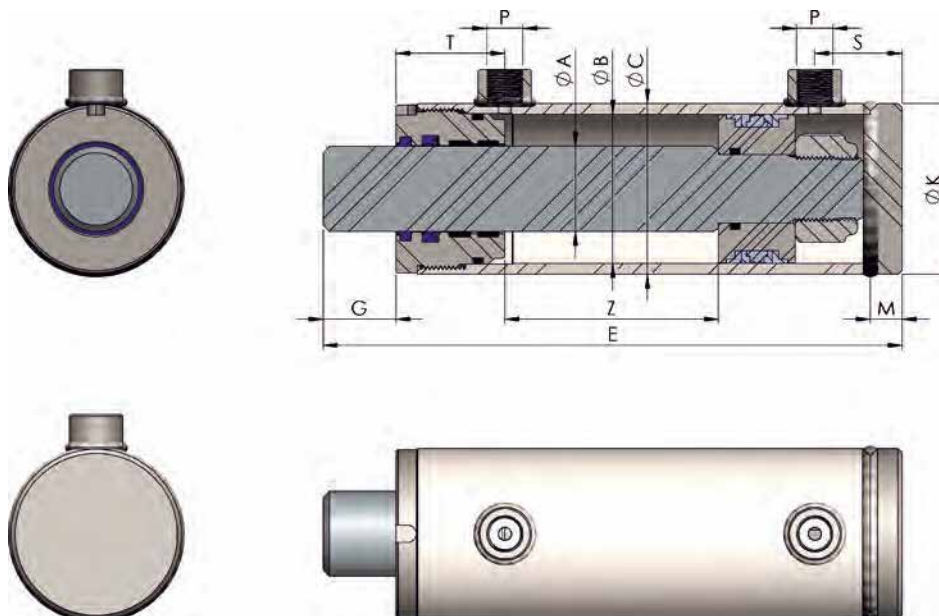
Max speed : 0.5 m/s
 Temperature : -25°C to +80°C
 Max Pressure : 250 Bar



Code	ØA	ØB	ØC	Z	E	P (BSP)	S	T	G	K	M	Seals kit	Vol. (lit)	Kgs.
300_010	20	32	40	100	233	G1/4	26	33	44	40	10	KJDE032040020	0,08	1,45
300_020				200	333								0,16	2,05
300_030				300	433								0,24	2,65
300_040				400	533								0,32	3,25
300_050				500	633								0,40	3,85
300_060				600	733								0,48	4,45
300_070				700	833								0,56	5,05
301_010				25	40								50	100
301_020	200	345	0,25			3,55								
301_030	300	445	0,38			4,45								
301_040	400	545	0,50			5,35								
301_050	500	645	0,63			6,25								
301_060	600	745	0,75			7,15								
301_070	700	845	0,88			8,05								
302_010	30	50	60			100	270	G3/8	35	43	47	60		15
302_020				200	370	0,39	5,00							
302_030				300	470	0,59	6,25							
302_040				400	570	0,79	7,50							
302_050				500	670	0,98	8,75							
302_060				600	770	1,18	10,00							
302_070				700	870	1,37	11,25							
303_010				30	60	70	100						270	
303_020	200	370	0,57				6,10							
303_030	300	470	0,85				7,45							
303_040	400	570	1,13				8,80							
303_050	500	670	1,41				10,15							
303_060	600	770	1,70				11,50							
303_070	700	870	1,98				12,85							



Code	ØA	ØB	ØC	Z	E	P (BSP)	S	T	G	K	M	Seals kit	Vol. (lit)	Kgs.
304_010	40	70	80	100	271	G3/8	41	51	34	80	15	KJDE070080040	0,39	6,70
304_020				200	371								0,77	8,60
304_030				300	471								1,15	10,50
304_040				400	571								1,54	12,40
304_050				500	671								1,92	14,30
304_060				600	771								2,31	16,20
304_070				700	871								2,69	18,10
305_010				40	80								90	100
305_020	200	371	1,01			10,35								
305_030	300	471	1,51			12,35								
305_040	400	571	2,01			14,35								
305_050	500	671	2,51			16,35								
305_060	600	771	3,01			18,35								
305_070	700	871	3,51			20,35								
306_010	50	90	100			100	281	G3/8	41	60	27	100		15
306_020				200	381	1,27	13,45							
306_030				300	481	1,91	16,10							
306_040				400	581	2,54	18,75							
306_050				500	681	3,18	21,40							
306_060				600	781	3,82	24,05							
306_070				700	881	4,45	26,70							
307_010				50	100	115	100						286	
307_020	200	386	1,57				18,85							
307_030	300	486	2,36				22,35							
307_040	400	586	3,14				25,85							
307_050	500	686	3,93				29,35							
307_060	600	786	4,71				32,85							
307_070	700	886	5,50				36,35							



Code	ØA	ØB	ØC	Z	E	P (BSP)	S	T	G	K	M	Seals kit	Vol. (lit)	Kgs.
308_010	70	120	140	100	315	G1/2	50	68	33	139	20	KJDE120140070	1,13	24,90
308_020				200	415								2,26	31,10
308_030				300	515								3,39	37,30
308_040				400	615								4,52	43,50
308_050				500	715								5,65	49,70
308_060				600	815								6,78	55,90
308_070				700	915								7,91	62,10
309_010				80	130								150	100
309_020	200	510	2,65			39,00								
309_030	300	610	3,98			46,35								
309_040	400	710	5,31			53,70								
309_050	500	810	6,63			61,05								
309_060	600	910	7,96			68,40								
309_070	700	1010	9,29			75,75								

Units in millimeters.