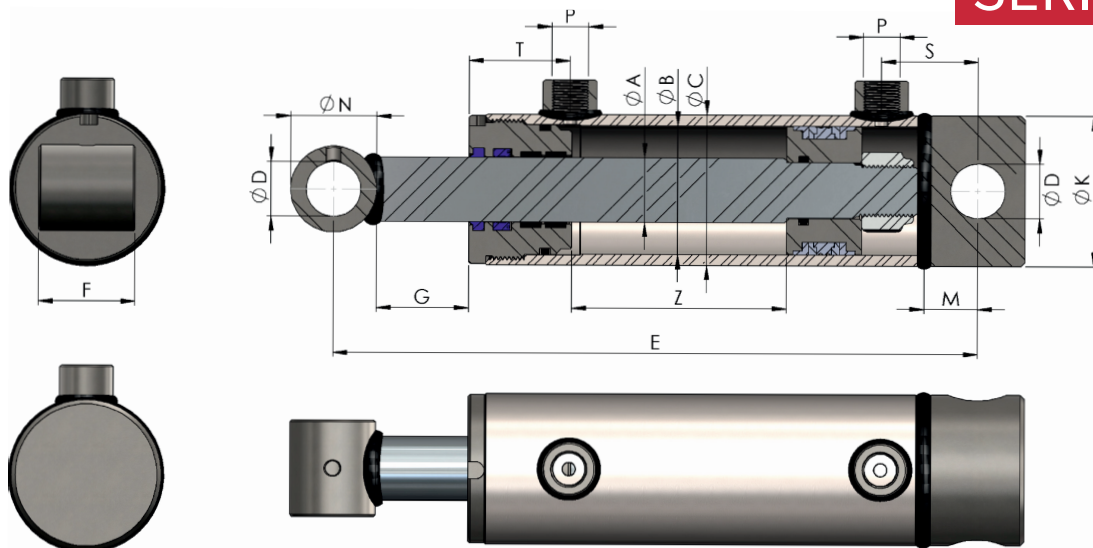


# SERIES 200 DOUBLE ACTING CYLINDERS

HYDRA-Part double acting pin mounted cylinders are made to the highest standards using the latest technologies in CAD design and CNC manufacturing. With a large range of standard options ranging from 25mm bore and 16mm rod upto 100mm bore and 50mm rod.

## SERIES 200

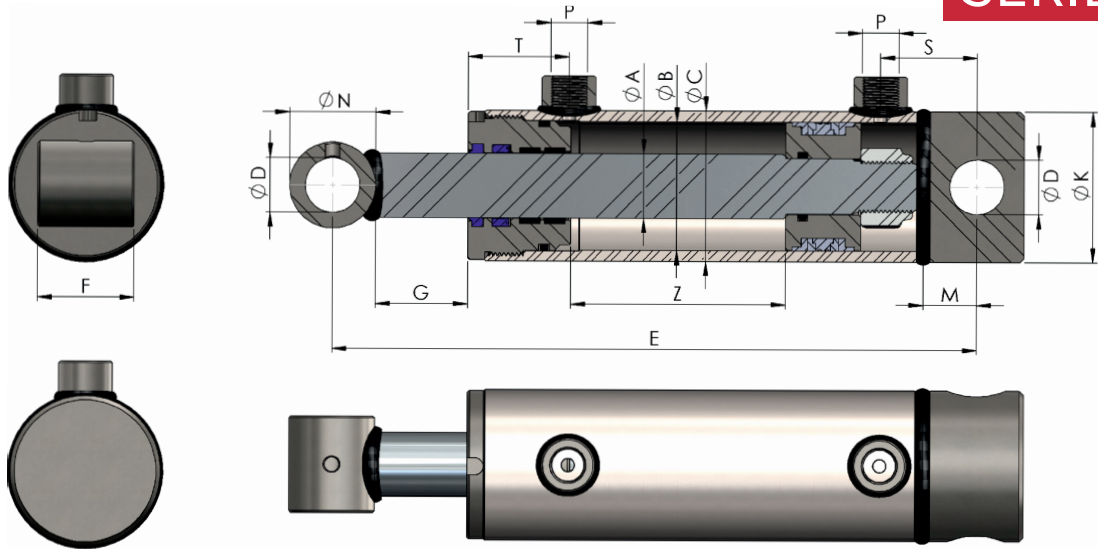


Code	ØA	ØB	ØC	Z	E	ØD	P (BSP)	S	T	ØN	G	F	K	M	Seals kit	Vol. (lit)	Kgs.
HP-DAP3220100	20	32	40	100	255	16.25	G1/4	33	33	30	44	35	40	17	KJDE032040020	0,08	1,75
HP-DAP3220200				200	355											0,16	2,35
HP-DAP3220300				300	455											0,24	2,95
HP-DAP3220400				400	555											0,32	3,55
HP-DAP3220500				500	655											0,40	4,15
HP-DAP3220600				600	755											0,48	4,75
HP-DAP3220700				700	855											0,56	5,35
HP-DAP4025100	25	40	50	100	270	20.50	G3/8	38	43	35	28	40	50	22	KJDE040050025	0,13	3,10
HP-DAP4025200				200	370											0,25	4,05
HP-DAP4025300				300	470											0,38	5,00
HP-DAP4025400				400	570											0,50	5,95
HP-DAP4025500				500	670											0,63	6,95
HP-DAP4025600				600	770											0,75	7,85
HP-DAP4025700				700	870											0,88	8,80
HP-DAP5030100	30	50	60	100	300	25.5	G3/8	45	43	40	47	45	60	25	KJDE050060030	0,20	4,50
HP-DAP5030200				200	400											0,39	5,70
HP-DAP5030300				300	500											0,59	6,90
HP-DAP5030400				400	600											0,79	8,10
HP-DAP5030500				500	700											0,98	9,30
HP-DAP5030600				600	800											1,18	10,50
HP-DAP5030700				700	900											1,37	11,70
HP-DAP6030100	30	60	70	100	300	25.5	G3/8	45	47	40	43	45	70	25	KJDE060070030	0,28	5,70
HP-DAP6030200				200	400											0,57	7,05
HP-DAP6030300				300	500											0,85	8,40
HP-DAP6030400				400	600											1,13	9,75
HP-DAP6030500				500	700											1,41	11,10
HP-DAP6030600				600	800											1,70	12,45
HP-DAP6030700				700	900											1,98	13,80

# SERIES 200 DOUBLE ACTING CYLINDERS

HYDRA-Part double acting pin mounted cylinders are made to the highest standards using the latest technologies in CAD design and CNC manufacturing. With a large range of standard options ranging from 25mm bore and 16mm rod upto 100mm bore and 50mm rod.

## SERIES 200

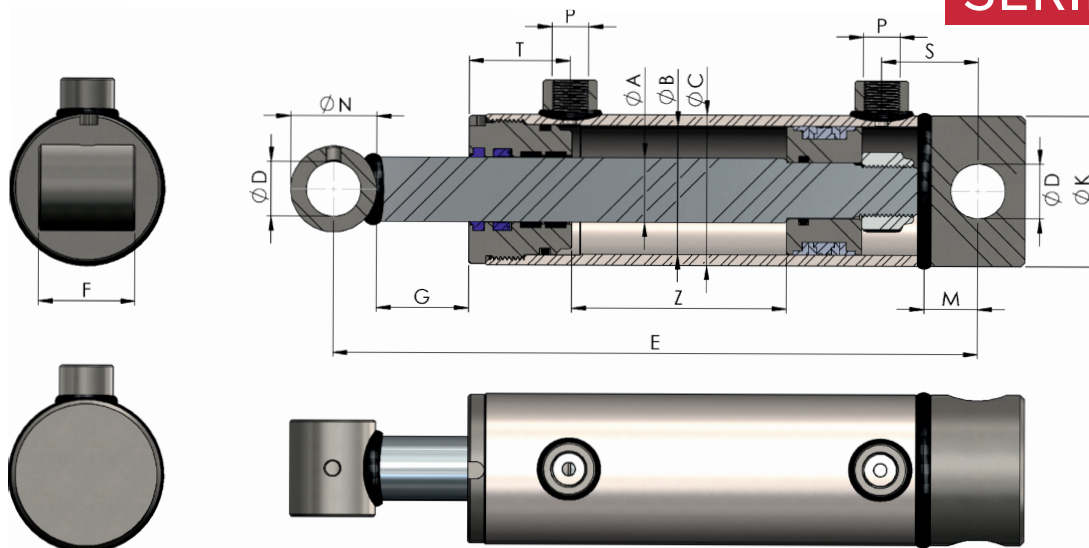


Code	ØA	ØB	ØC	Z	E	ØD	P (BSP)	S	T	ØN	G	F	K	M	Seals kit	Vol. (lit)	Kgs.
HP-DAP7040100	40	70	80	100	310	30.50	G3/8	55	51	50	34	55	80	29	KJDE070080040	0,39	8,30
HP-DAP7040200				200	410											0,77	10,20
HP-DAP7040300				300	510											1,15	12,10
HP-DAP7040400				400	610											1,54	14,00
HP-DAP7040500				500	710											1,92	15,90
HP-DAP7040600				600	810											2,31	17,80
HP-DAP7040700				700	910											2,69	19,70
HP-DAP8040100	40	80	90	100	310	30.50	G3/8	55	56	50	21	55	90	29	KJDE080090040	0,50	10,35
HP-DAP8040200				200	410											1,01	12,35
HP-DAP8040300				300	510											1,51	14,35
HP-DAP8040400				400	610											2,01	16,35
HP-DAP8040500				500	710											2,51	18,35
HP-DAP8040600				600	810											3,01	20,35
HP-DAP8040700				700	910											3,51	22,35
HP-DAP9050100	50	90	100	100	325	30.5	G3/8	55	60	60	27	70	100	29	KJDE090100050	0,64	13,90
HP-DAP9050200				200	425											1,27	16,60
HP-DAP9050300				300	525											1,91	19,30
HP-DAP9050400				400	625											2,54	22,00
HP-DAP9050500				500	725											3,18	24,70
HP-DAP9050600				600	825											3,82	27,40
HP-DAP9050700				700	925											4,45	30,10
HP-DAP10050100	50	100	115	100	325	30.5	G1/2	53	66	60	21	70	115	29	KJDE100115050	0,79	19,10
HP-DAP10050200				200	425											1,57	22,60
HP-DAP10050300				300	525											2,36	26,10
HP-DAP10050400				400	625											3,14	29,60
HP-DAP10050500				500	725											3,93	33,10
HP-DAP10050600				600	825											4,71	36,60
HP-DAP10050700				700	925											5,50	40,10

# SERIES 200 DOUBLE ACTING CYLINDERS

HYDRA-Part double acting pin mounted cylinders are made to the highest standards using the latest technologies in CAD design and CNC manufacturing. With a large range of standard options ranging from 25mm bore and 16mm rod upto 100mm bore and 50mm rod.

## SERIES 200



Code	ØA	ØB	ØC	Z	E	ØD	P (BSP)	S	T	ØN	G	F	K	M	Seals kit	Vol. (lit)	Kgs.
HP-DAP12070100	70	120	140	100	370	40.50	G1/2	65	68	80	33	80	139	35	KJDE120140070	1,13	32,45
HP-DAP12070200				200	470											2,26	38,65
HP-DAP12070300				300	570											3,39	44,85
HP-DAP12070400				400	670											4,52	51,05
HP-DAP12070500				500	770											5,65	57,25
HP-DAP12070600				600	870											6,78	63,45
HP-DAP12070700				700	970											7,91	69,65
HP-DAP13080100	80	130	150	100	410	50.50	G3/4	80	75	90	31	100	149	50	KJDE130150080	1,33	43,55
HP-DAP13080200				200	510											2,65	50,90
HP-DAP13080300				300	610											3,98	58,25
HP-DAP13080400				400	710											5,31	65,60
HP-DAP13080500				500	810											6,63	72,95
HP-DAP13080600				600	910											7,96	80,30
HP-DAP13080700				700	1010											9,29	87,65

Units in millimeters.

Max speed : 0.5 m/s  
 Temperature : -25°C to +80°C  
 Max Pressure : 250 Bar