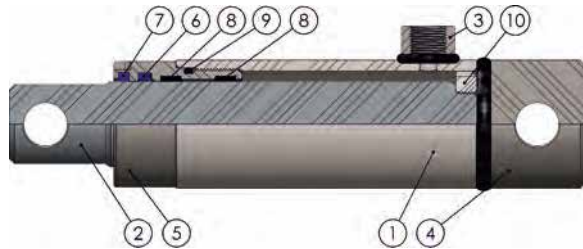


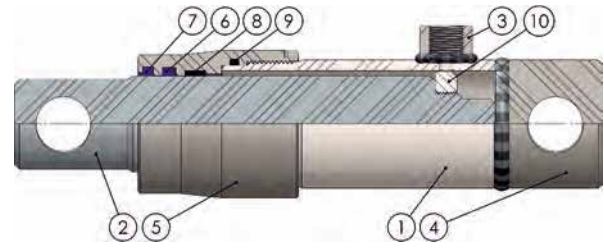
# SERIES 100 SINGLE ACTING CYLINDERS

We offer an extensive range of standard single-acting cylinders for various applications such as lifting platforms and trailers. All of our cylinders are manufactured under strict quality standards.

## SERIES 100



A type

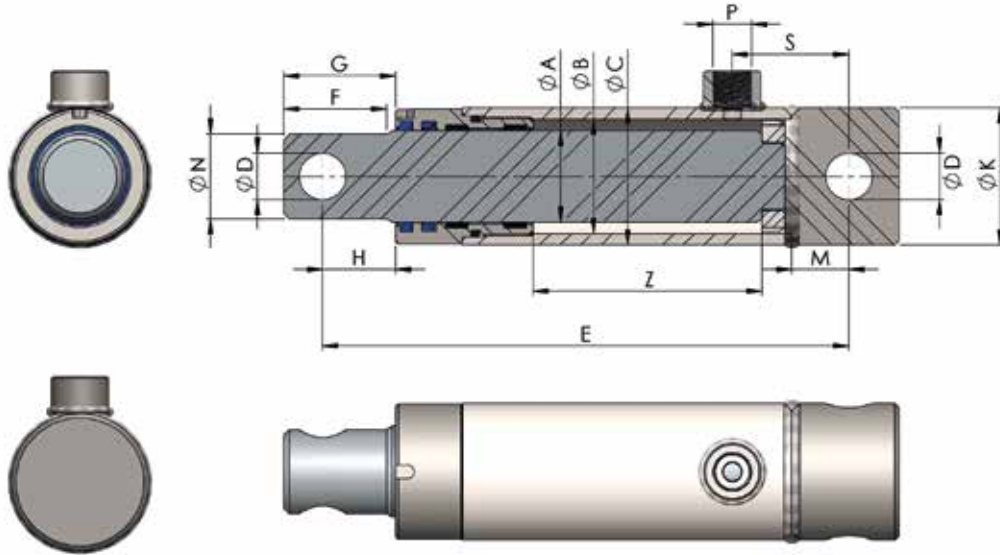


B type

Part No.	Description	Material
1	Cold drawn tube	Steel St52.3 DIN2353 h9
2	Chromed rod	Steel C45 Micron ±5 Rating 9/120h
3	Threaded port	Steel St52.3
4	End plug with hole	Steel St52.3
5	S.A. bush	Steel St52.3
6	CSL rod seal	Polyurethane 93 shores
7	Wiper	Polyurethane 93 shores
8	guide	Acetal resin
9	O-ring	NBR
10	ARS lock nut	Grade 8.8

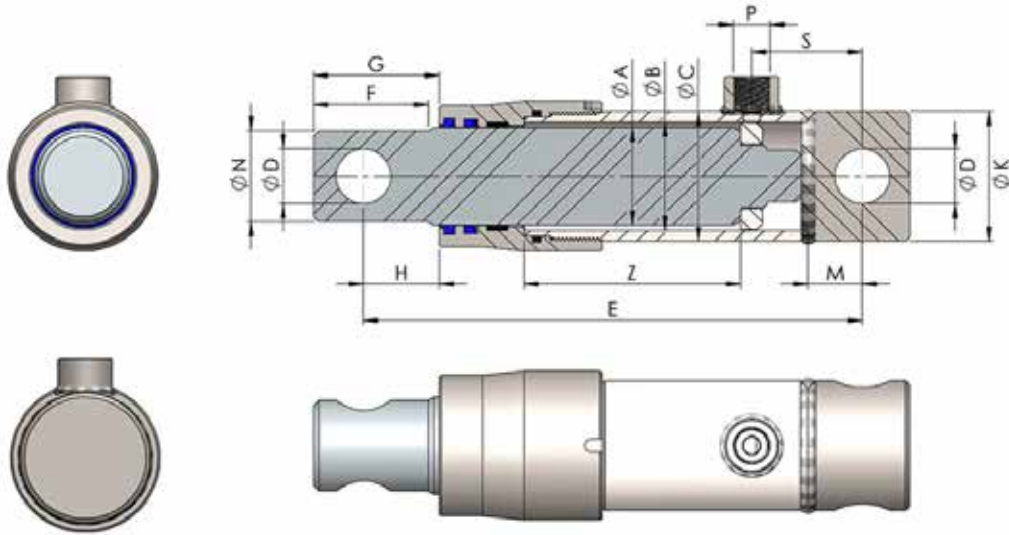
Max speed : 0.5 m/s  
 Temperature : -25°C to +80°C  
 Max Pressure : 250 Bar

SERIES 100



Code	ØA	ØB	ØC	Z	E	ØD	P (BSP)	S	ØN	G	F	H	K	M	Seals kit	Vol. (lit)	Kgs.
100_010	25	32	40	100	190	14.25	G1/4	33	22	32	27	18	40	17	KJSE032040025	0,08	1,55
100_020				200	290											0,16	2,30
100_030				300	390											0,24	3,05
100_040				400	490											0,32	3,80
100_050				500	590											0,40	4,55
100_060				600	690											0,48	5,30
100_070				700	790											0,56	6,05
101_010	30	40	50	100	200	16.25	G3/8	48	27	36	30	21	50	22	KJSE040050030	0,13	2,60
101_020				200	300											0,25	3,70
101_030				300	400											0,37	4,80
101_040				400	500											0,49	5,90
101_050				500	600											0,61	7,00
101_060				600	700											0,73	8,10
101_070				700	800											0,85	9,20
102_010	35	45	55	100	230	20.40	G3/8	51	32	41	34	24	55	25	KJSE045055035	0,16	3,60
102_020				200	330											0,32	4,95
102_030				300	430											0,48	6,30
102_040				400	530											0,64	7,65
102_050				500	630											0,80	9,00
102_060				600	730											0,96	10,35
102_070				700	830											1,12	11,70
103_010	40	50	60	100	230	20.40	G3/8	51	37	49	45	32	60	25	KJSE050060040	0,20	4,35
103_020				200	330											0,39	6,00
103_030				300	430											0,59	7,65
103_040				400	530											0,79	9,30
103_050				500	630											0,99	10,95
103_060				600	730											1,19	12,60
103_070				700	830											1,39	14,25

B type

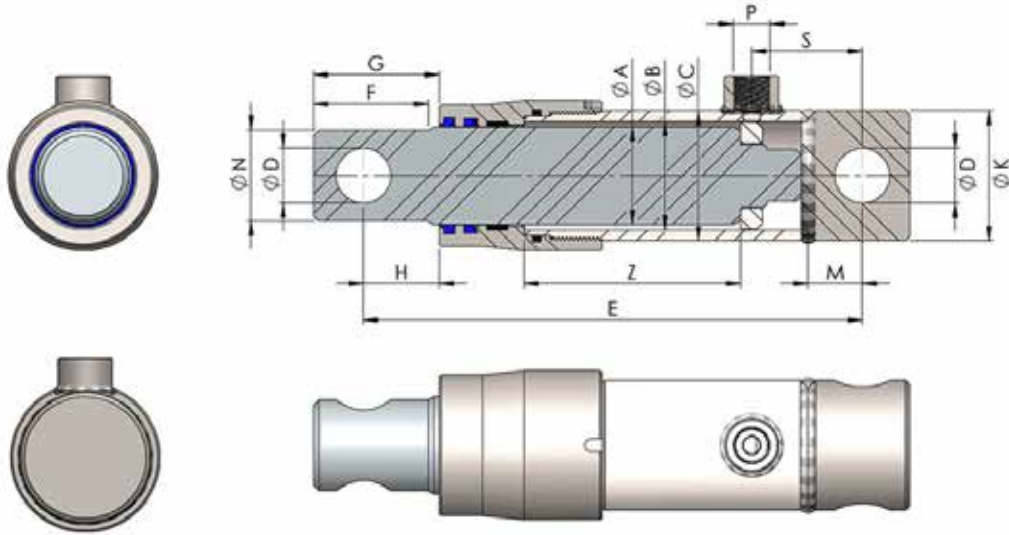


Code	ØA	ØB	ØC	Z	E	ØD	P (BSP)	S	ØN	G	F	H	K	M	Seals kit	Vol. (lit)	Kgs.
104_010	45	50	60	100	230	25.50	G3/8	51	42	58	53	35	60	25	KJSE050060045	0,20	4,85
104_020				200	330											0,39	6,75
104_030				300	430											0,59	8,65
104_040				400	530											0,79	10,55
104_050				500	630											0,98	12,45
104_060				600	730											1,18	14,35
104_070				700	830											1,38	16,25
105_010	50	55	65	100	260	25.50	G3/8	51	47	58	53	35	65	25	KJSE055065050	0,24	6,35
105_020				200	360											0,48	8,65
105_030				300	460											0,72	10,95
105_040				400	560											0,95	13,25
105_050				500	660											1,19	15,55
105_060				600	760											1,43	17,85
105_070				700	860											1,66	20,15
106_010	55	60	70	100	260	25.50	G3/8	51	52	71	51	48	70	25	KJSE060070055	0,28	7,30
106_020				200	360											0,57	9,95
106_030				300	460											0,85	12,60
106_040				400	560											1,13	15,25
106_050				500	660											1,41	17,90
106_060				600	760											1,70	20,55
106_070				700	860											1,98	23,20
107_010	60	65	75	100	260	25.50	G3/8	55	57	67	51	44	75	29	KJSE065075060	0,33	8,75
107_020				200	360											0,66	11,80
107_030				300	460											1,00	14,85
107_040				400	560											1,33	17,90
107_050				500	660											1,67	20,95
107_060				600	760											1,99	24,00
107_070				700	860											2,32	27,05

Units in millimeters.

# SERIES 100

B type



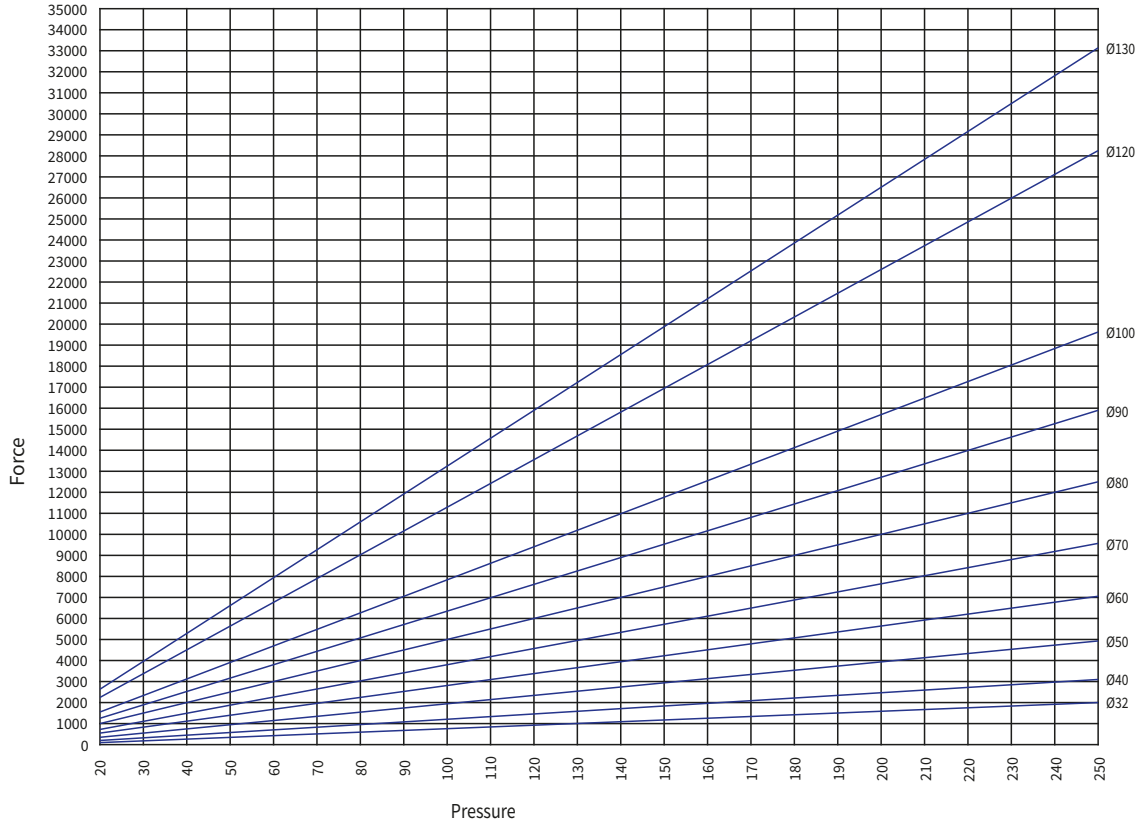
Código Code Bestell-Nr.	ØA	ØB	ØC	Z	E	ØD	P (BSP)	S	ØN	G	F	H	K	M	Kit juntas Seals kit Dichtsätze	Vol. (lit)	Kgs.
108_010	70	80	90	100	280	30.40	G3/8	55	67	93	58	68	90	29	KJSE080090070	0,50	12,80
108_020				200	380											1,00	16,80
108_030				300	480											1,51	20,80
108_040				400	580											2,01	24,80
108_050				500	680											2,51	28,80
108_060				600	780											3,02	32,80
108_070				700	880											3,52	36,80
109_010	90	100	115	100	260	30.40	G1/2	55	77	88	58	63	115	29	KJSE100115090	0,79	23,45
109_020				200	360											1,57	30,35
109_030				300	460											2,36	37,25
109_040				400	560											3,14	44,15
109_050				500	660											3,93	51,05
109_060				600	760											4,71	57,95
109_070				700	860											5,50	64,85

Unidades en milímetros.  
Units in millimeters.  
Einheiten in Millimetern.



# SERIES 100

## OUTPUT FORCE



## INPUT FORCE

