



HC-SD-HP Proportional Servo Modules

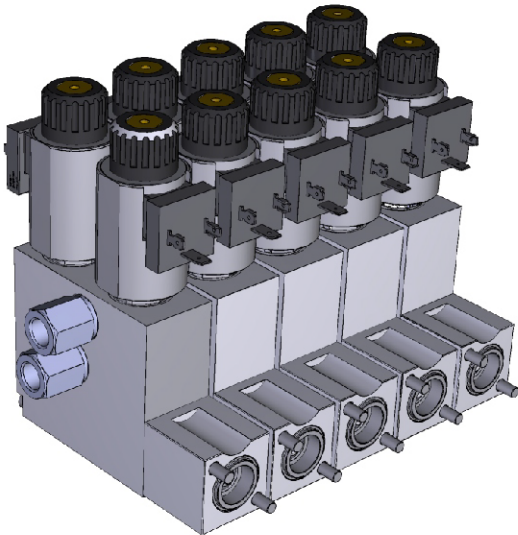
The servo control HC-SD is a block of modular hydraulic pistons, electrically controlled by a couple of proportional valves, with mechanical feedback.

The product has a high reliability thanks to careful engineering and production process carried out with the most advanced technologies.

The installation of this block adds to a manual hydraulic valve the remote control, by cable or by radio.

The specific design made for the direct connection to the back of the valve allows a more precise handling of the machine compared to traditional installations of retrofit modules on the dual control rods.

Assembled banks are available up to 8 functions, without spaces between sections.



Electrical specifications:

Power supply: 12V or 24V
 Working current range: 600 ÷ 1600 mA (12V)
 230 ÷ 830 mA (24V)
 Frequency: 60 Hz
 Working temp. range: -20 ÷ +60 °C

Hydraulic / mechanical specifications:

Feedback: Mechanical
 Fluid type: Mineral oil 10 ÷ 200 cSt
 Filtration: 10 micron
 Max blow-by: 100 cc/minute
 Max working pressure: 30 bar
 Max thrust: 1300 N (at 30 bar)
 Weight (each section): 1.6 kg approx. (per section)
 Dimensions: See page 2
 Connections: G1/4" BSPP

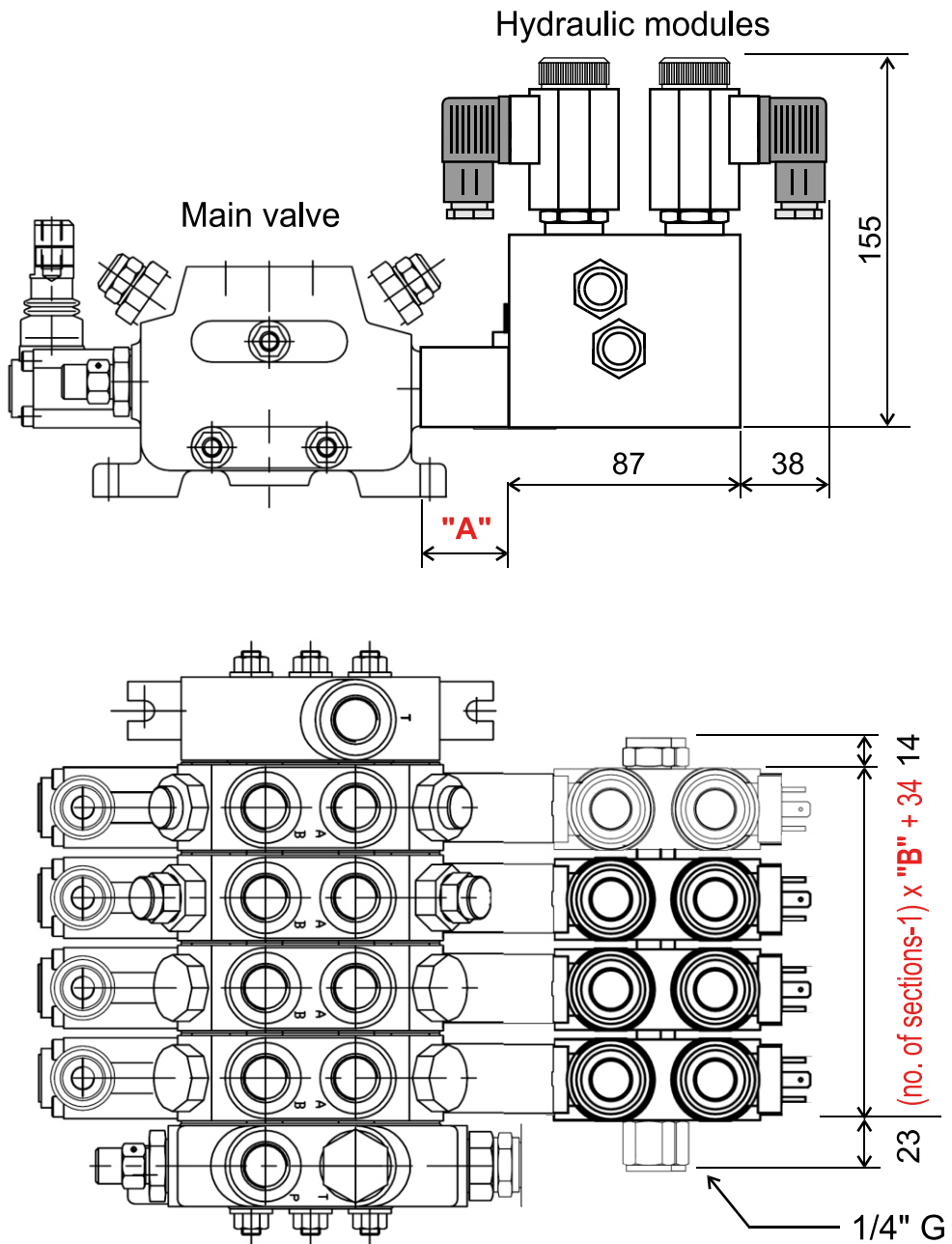
Banks are available for the following manufacturers:

MODEL*	VALVE MANUFACTURER
HCD3	Hydrocontrol
HCD3M	Hydrocontrol
HCM50	Hydrocontrol
HCD4**	Hydrocontrol
HCD6	Hydrocontrol
SD5	Walvoil
SD6	Walvoil
SD8	Walvoil

* For availability of other models please contact our sales department.

** HCD4 version is available with 6 or 10 mm joint screw thread (to be specified in case of order).

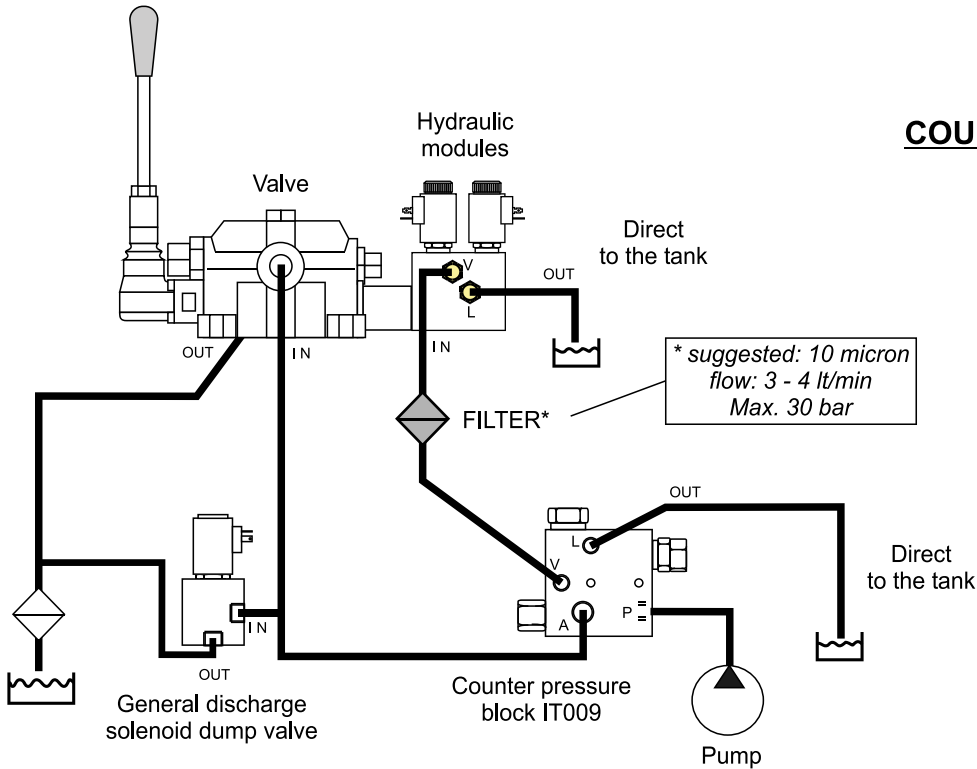
HC-SD HYDRAULIC MODULES - OVERALL DIMENSIONS



Type of valve	Dimension "A" (mm)	Interaxis "B" (mm)
HCD3	39	38
HCD3M	39	38
HCM50	39	35
HCD4	40	40
HCD6	51	46
SD5	37	37
SD6	37	38
SD8	50	41

HC-SD HYDRAULIC MODULES - CONNECTION EXAMPLES

INSTALLATION EXAMPLE OF THE HYDRAULIC BANK WITH A COUNTER PRESSURE BLOCK



INSTALLATION EXAMPLE OF THE HYDRAULIC BANK WITH A MINI PUMP UNIT

