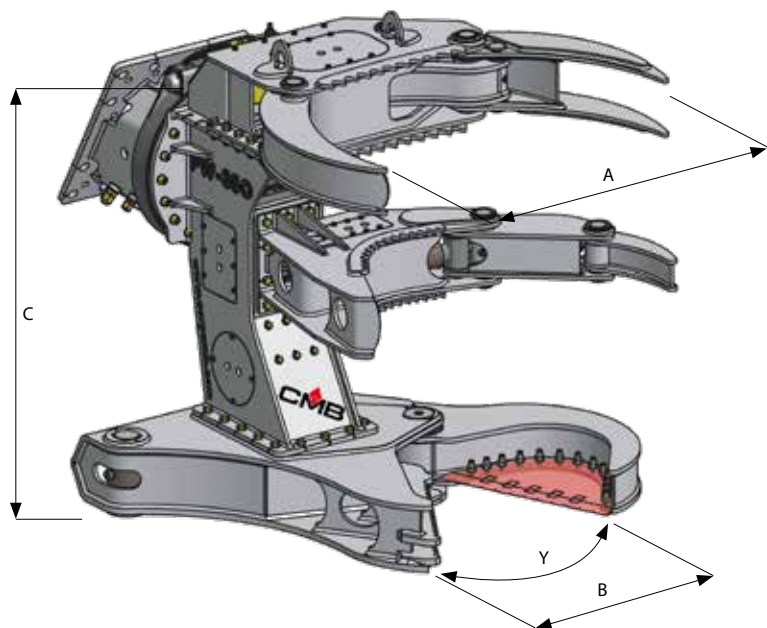


## PW SERIES

### DE-FORESTATION SHEARS



(F) Model without rotation

		PW - 150 F	PW - 150	PW - 250	PW - 350	PW - 450
	ton.	5 - 14	5 - 14	12 - 20	13 - 25	20 - 35
<b>Ø MAX.</b>	mm	150	150	250	350	450
<b>A</b>	mm	800	800	900	1100	1300
<b>B</b>	mm	230	230	450	600	800
<b>C</b>	mm	600	600	1200	1450	1750
<b>Y</b>	ton.	6	6	12	20	35
	Kg	350	500	850	1100	1600
	bar	220	220	250	300	300
	l/min	40 - 80	40 - 80	50 - 100	80 - 150	100 - 160
	bar	-	170	170	170	170
	l/min	-	35 - 50	35 - 50	45 - 60	45 - 60
<b>ELETTROVALVOLA SOLENOID VALVE</b>	V	-	24	24	24	24