

PTO Panel/Dash Mounted Air Control Valve

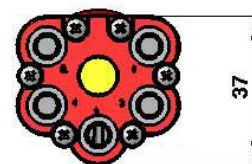
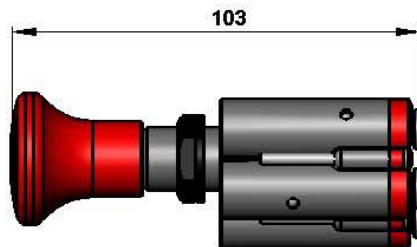
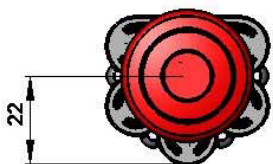
Panel/dash mounted manually operated 4/2 directional control switch for the operation of single and double acting cylinders. These valves have 6mm push-in fitting ports and come as standard with a pneumatic reset and control knob indicator. This manual air release valve requires the reset signal to be removed/disengaged from the reset port before the valve may be operated and are ideal for interlocking with hand-brake air systems for additional safety. The valve may also be used as a 4/2 valve when no reset signal is required.



Technical Specification

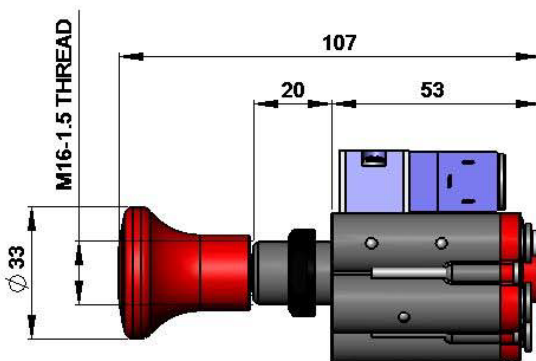
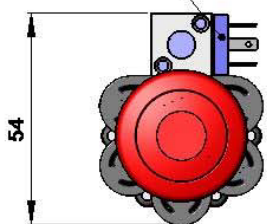
Media: Air to 188PSI (13 bar)
 Min. Pressure to Reset Port : 2.4 bar
 Flow: 0.12 Cv
 Neck Dia.: 5/8" (16mm)
 Body: Glass Filled Nylon
 Spool: Brass
 Fittings: Push to Connect 1/4" and 6mm
 Seals: Nitrile
 Temperature: -4° to 122° F (-20° to 50° C)

Dimensions



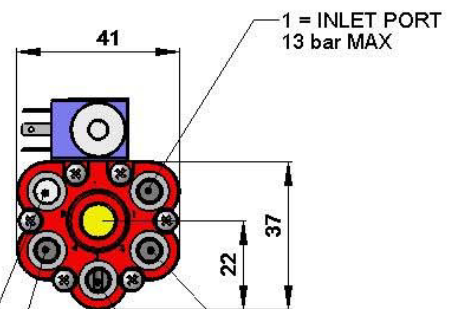
AR VERSIONS

SOLENOID VALVE
 OMITTED FOR
 AP VERSIONS
 ELECTRICAL CONNECTOR
 NOT SHOWN



SP VERSION

R = RESET PORT
 (NOT USED FOR
 SP VALVES AND IS
 SUPPLIED PLUGGED)



4 = OUTLET PORT
 PRESSURE WHEN
 ACTUATED

2 = OUTLET PORT
 PRESSURE WHEN
 UNACTUATED.
 (PLUG FOR 3/2
 NORMALLY CLOSED
 FUNCTION)

3 = EXHAUST PORT
 (LEAVE OPEN OR
 PIPE AWAY)