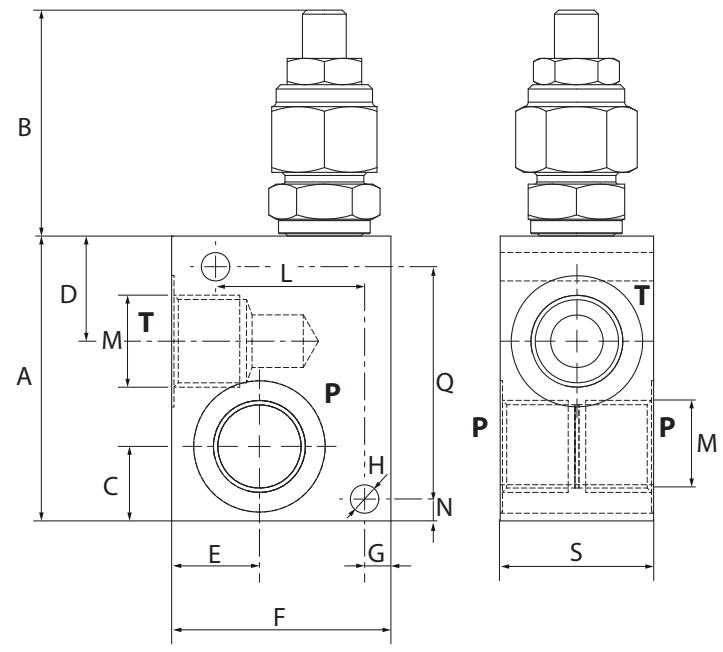
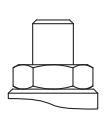


PRL80 Inline Pressure Relief Valve

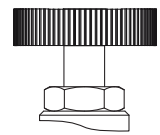


Size	A	B max	C	D	E	F	G	H	L	M BSP	Q	S	Weight kg
03	80	77	20	28	23,5	60	6	6,5	48	1/2	68	40	0,71
04	80	77	20	28	23,5	60	6	6,5	48	3/8	68	40	0,69

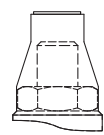
Adjustment 1



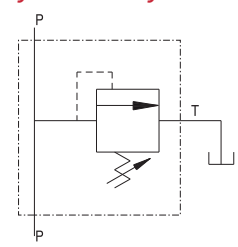
Adjustment 2



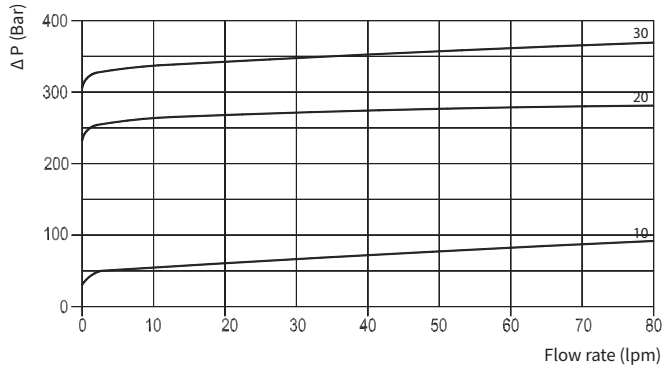
Adjustment 3



Hydraulic Symbol



Curves



Features

Rated Flow	80 lpm
Max Pressure	350 bar

Materials: Zinc plated steel cartridge, hardened steel inner parts. Aluminium manifold.

Ordering Code

PRL 80 -- -- -

Port Size BSP		Spring (bar)		Adjustments	
03	1/2	10	5-50	A	Socket Screw
04	3/4	20	30-260	B	Handknob
		30	130-350	C	Tamperproof Cap

Ordering Code Example: PRL800420A = 3/4 Port Size - 40-210 bar setting range, Socket screw adjustment.