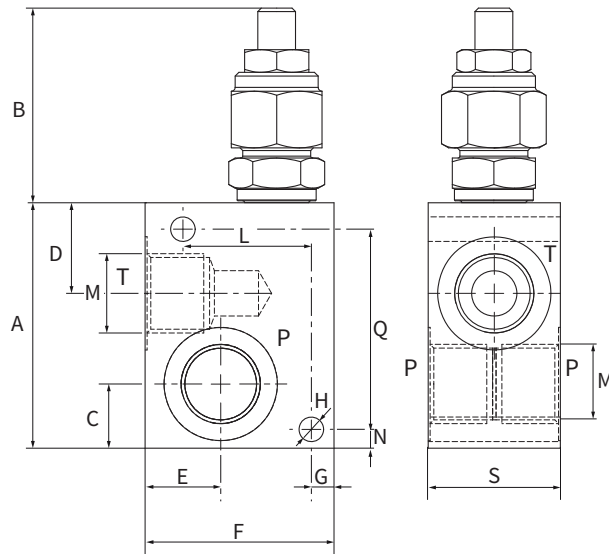


PRL35 Inline Pressure Relief Valve

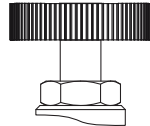


Size	A	B max	C	D	E	F	G	H	L	M BSP	Q	S	Weight kg
02	65	64	17	24	20	50	6	6,5	34	3/8	53	35	0,49
03	65	64	17	24	20	50	6	6,5	34	1/2	53	35	0,38

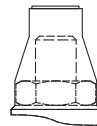
Adjustment 1



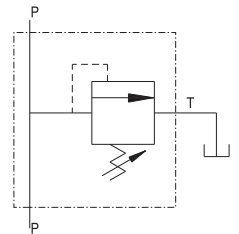
Adjustment 2



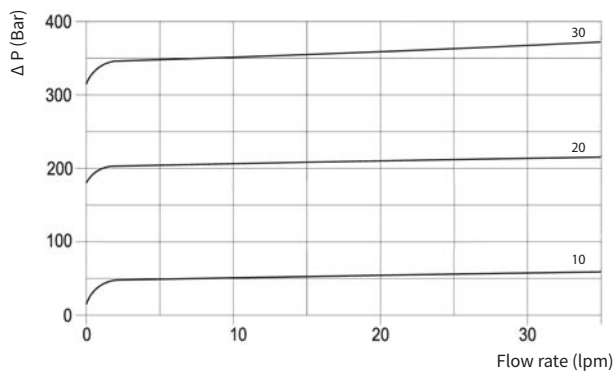
Adjustment 3



Hydraulic Symbol



Curves



Features

Rated Flow	35 lpm
Max Pressure	350 bar

Materials: Zinc plated steel cartridge, hardened steel inner parts. Aluminium manifold.

Ordering Code

PRL 35 -- -- -

Port Size BSP		Spring (bar)		Adjustments	
02	3/8	10	5-50	A	Socket Screw
03	1/2	20	40-210	B	Handknob
		30	100-350	C	Tamperproof Cap

Ordering Code Example: PRL350220A = 3/8 Port Size - 40-210 bar setting range, Socket screw adjustment.