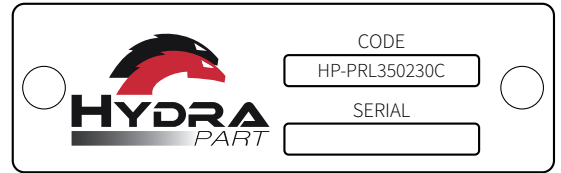
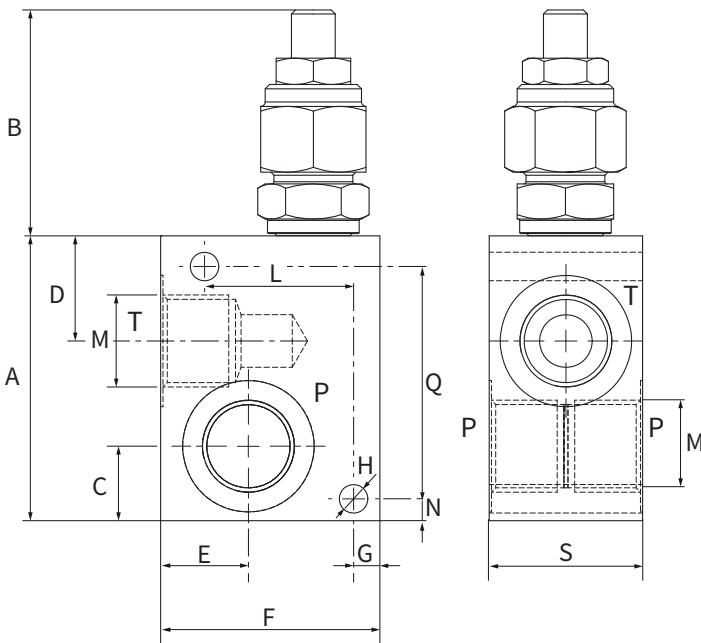


PRL35 Inline Pressure Relief Valve



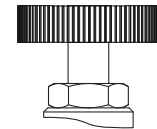
HYDRA PART	MODEL CODE	FLOW (LPM)	PORT SIZE (BSP)	MAX PRESSURE	TAMPERPROOF CAP
X	X	X	X	X	X



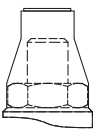
Adjustment 1



Adjustment 2

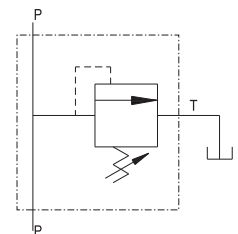


Adjustment 3

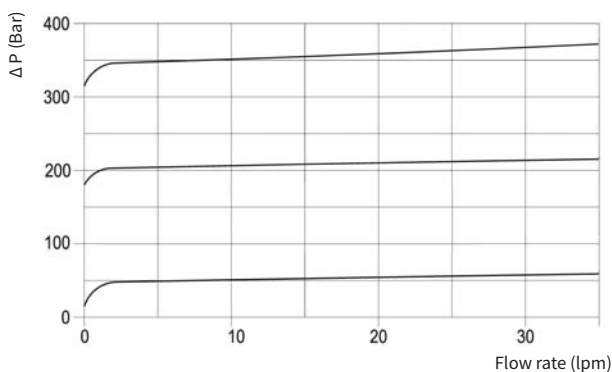


Size	A	B max	C	D	E	F	G	H	L	M BSP	Q	S	Weight kg
02	65	64	17	24	20	50	6	6,5	34	3/8	53	35	0,49
03	65	64	17	24	20	50	6	6,5	34	1/2	53	35	0,38

Hydraulic Symbol



Curves



Features

Rated Flow	35 lpm
Max Pressure	350 bar

Materials: Zinc plated steel cartridge, hardened steel inner parts.
Aluminium manifold.