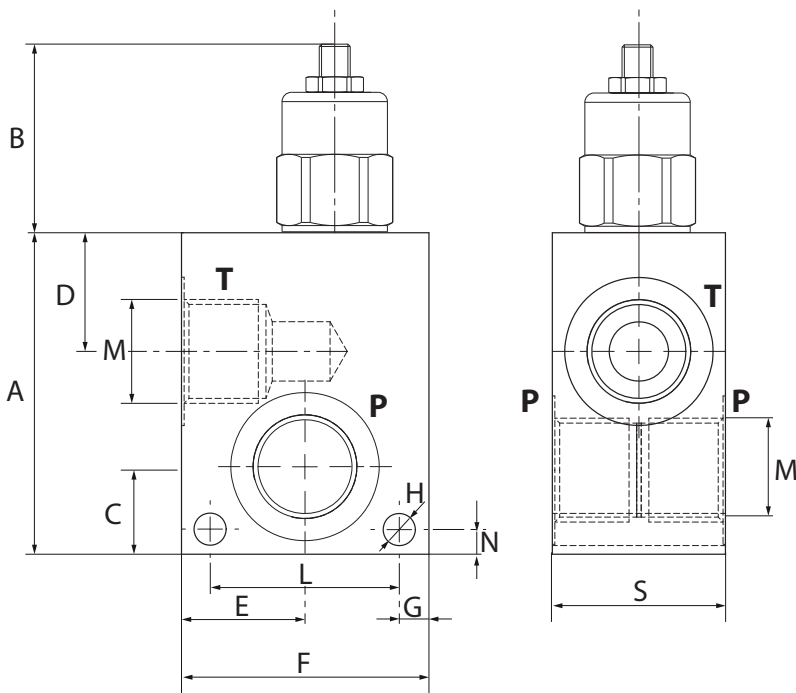


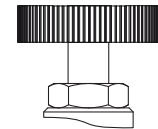
HYDRA PART	MODEL CODE	FLOW (LPM)	PORT SIZE (BSP)	MAX PRESSURE	TAMPERPROOF CAP
X	X	X	X	X	X



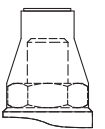
Adjustment 1



Adjustment 2

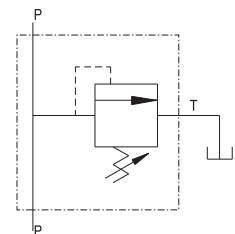


Adjustment 3

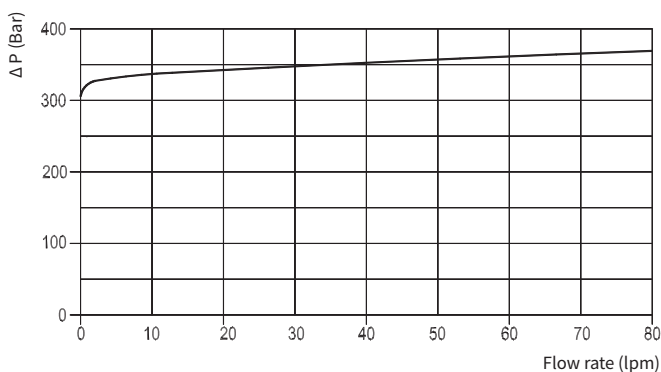


Size	A	B max	C	D	E	F	G	H	L	M BSP	S	Weight kg
05	100	65	30	28	32,5	65	7	8	50	1	65	2,70
06	100	65	30	28	32,5	65	7	8	50	1 1/4	65	2,38

Hydraulic Symbol



Curves



Features

Rated Flow	150 lpm
Max Pressure	350 bar

Materials: Zinc plated steel cartridge, hardened steel inner parts.
Aluminium manifold.