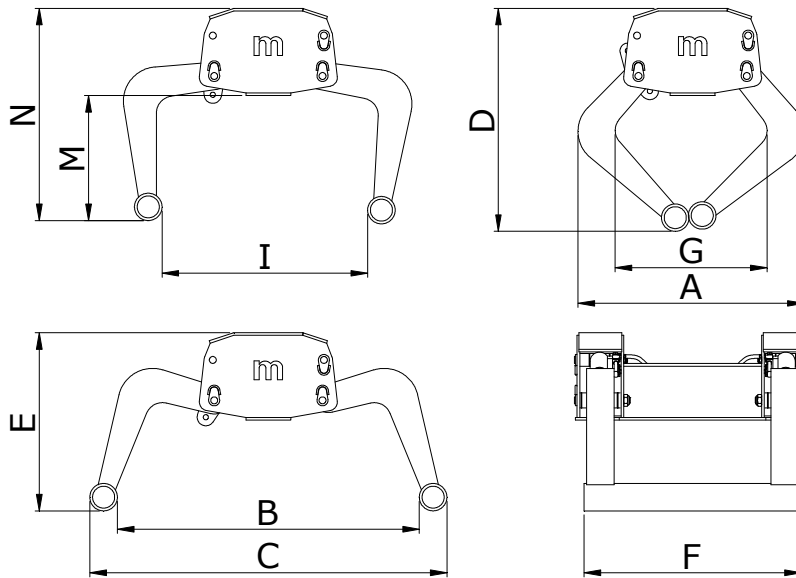


# MPP - R



	PRESSIONE PRESSURE PRESSION DRUCK	PESO WEIGHT POIDS GEWICHT	CILINDRI CYLINDERS CYLINDRES ZYLINDER	FORZA FORCE FORCE KRAFT	DIMENSIONI (mm) SIZES (mm) DIMENSIONS (mm) ABMESSUNGEN (mm)										MACCHINA MACHINE MACHINE
	MAX-BAR	KG	n°	N	A	B	C	D	E	F	G	I	M	N	MAX-TON
MPP 1 R	300	1040	2	17.000	1310	1750	2070	1300	1040	1260	880	1200	730	1240	14-25

• Data and weight are indicative: the company reserve the right to make any improvements and changes required for good operation, without giving advance notice.