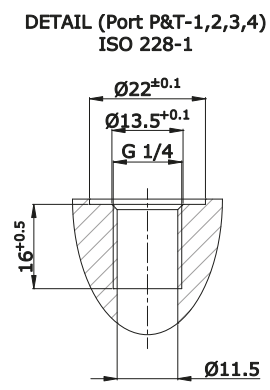
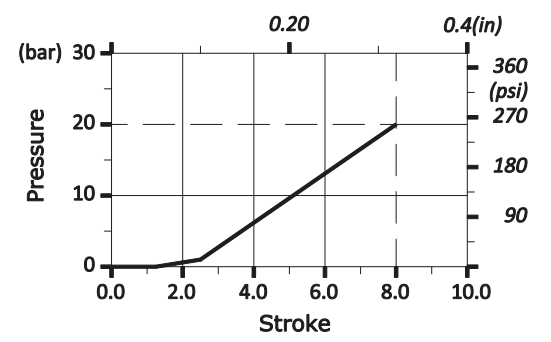


**CURVE DIAGRAM**  
 Port 1-2-3-4  
 without step  
 30 05 6214



ISOMETRIC VIEW

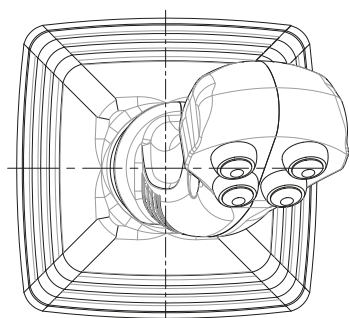
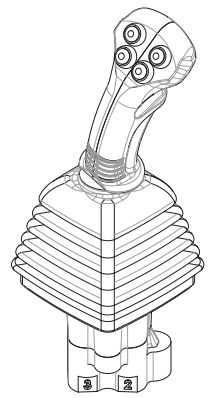
Electrical cable  
 4200mm

RETURN SPRING port 1

RETURN SPRING port 4

RETURN SPRING port 2

RETURN SPRING port 3



WORKING CONDITIONS	
Nominal flow rating	from 5 to 20l/min
Max. feeding pressure (P)	from 30 to 100 bar
Max. back pressure (T)	3 bar
Max. hysteresis	0.5 bar
Hydraulic fluid	Mineral base oil
Viscosity range	from 12 to 400mm <sup>2</sup> /s
Seal material	NBR
Fluid temperature	
with NBR seals	from -10° to 80°C
operating range	from 15 to 75 mm <sup>2</sup> /s
Max. level of contamination	-/15/12 - ISO 4406
Internal leakage (all ports)	2.5 to 4.5cm <sup>3</sup> / min at 30 bar 40 °C at 46mm <sup>2</sup> /s
Port size	Inlet P G1/4 1,2,3,4 ports G1/4 Outlet T G1/4
Color	-

