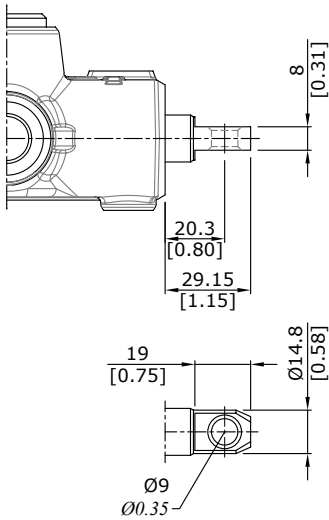
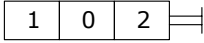


directional valve with left inlet

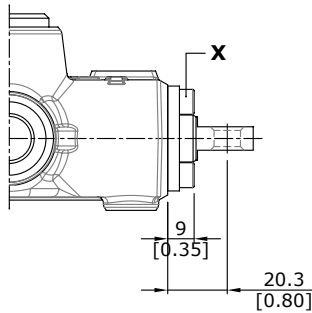
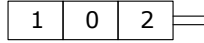
"B" side options

SL type



SLP type (30 07 5338)

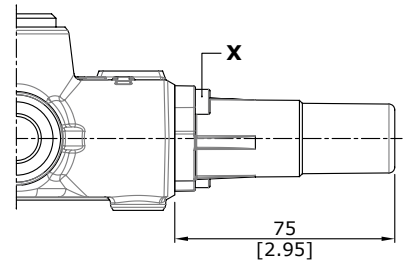
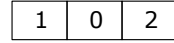
Mechanical control with dust-proof plate kit.



Wrenches and tightening torques
X = allen wrench 4 - 6 Nm (4.4 lbf_t)

SLCZ type (30 07 7621)

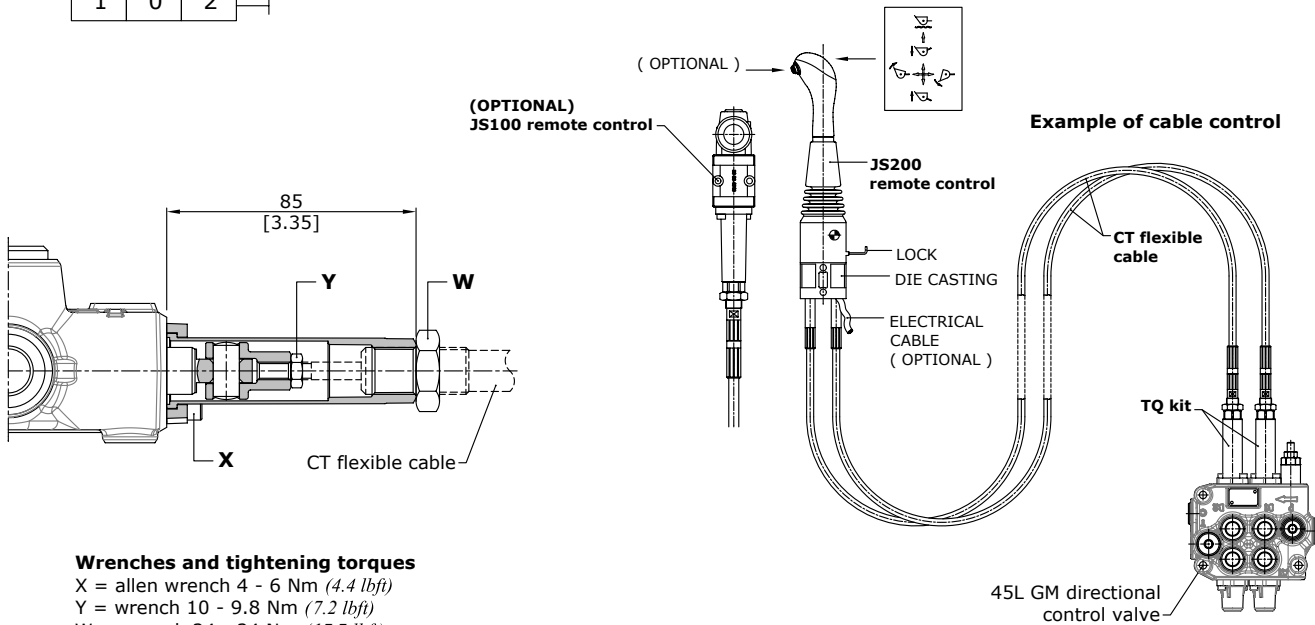
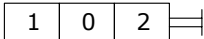
Protection cap usable with pneumatic, electropneumatic, and electrohydraulic spool positioners.



Wrenches and tightening torques
X = allen wrench 4 - 6 Nm (4.4 lbf_t)

TQ cable remote control kit (30 07 5328)

Prearranged for remote control with flexible cable.



Wrenches and tightening torques
X = allen wrench 4 - 6 Nm (4.4 lbf_t)
Y = wrench 10 - 9.8 Nm (7.2 lbf_t)
W = wrench 24 - 24 Nm (17.7 lbf_t)

NOTE : For further information about remote cable control, require related documentation.